

# Type 52 Stainless Steel

## Pressure Regulator Series

### Features

- Ideal for sour gas and corrosive applications or environments
- Excellent stability and repeatability
- Low droop
- Tapped vent for exhaust gas capture
- Built-in filter assemblies and dripwells
- Manual or automatic drain options
- Panel, bracket or pipe mounting

### Description

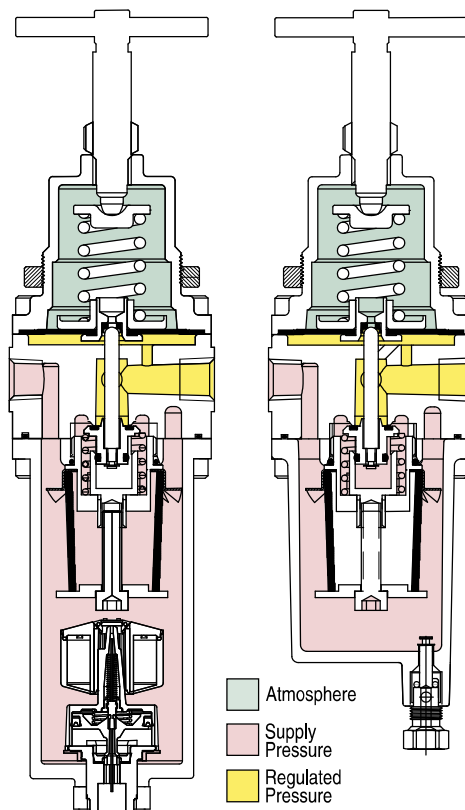
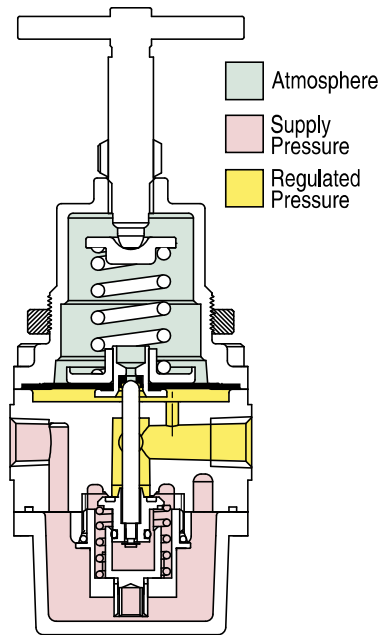
The Type 52SS regulator product line is designed for service with a wide variety of corrosive gases and environments. Special construction features include 316 stainless steel for the housing and filter assemblies, with Nitrile Elastomers used for the control diaphragm and the supply valve.

These corrosion resistant materials are compatible with sour gas and for use in off-shore environments. Typical applications include petrochemical processing, chemical plants, food processing and paper/pulp mills.

This ruggedly built regulator operates in pressure ranges up to 150 PSIG (10 BAR). The Type 52SSFR and Type 52SSAR Regulators have built-in dripwells which trap water, oil and other contaminants. The contaminants are easily flushed out of the dripwell via a convenient manual or automatic drain valve. The 25 Micron Filter is constructed of sintered 316 stainless steel, and is easily removed.

The Type 52SS products can be through-panel mounted with the mounting nut supplied, bracket-mounted using the optional bracket, or pipe mounted by its ports.

The regulators and filter assemblies comply with NACE material requirement #MR0175 for sulfide stress cracking resistant metallic material for oil field equipment.



	Type 52SSR					Type 52SSFR				
Filter	n/a					Built in 25 micron filter with manual drain				
Maximum Supply Pressure	425 PSIG (29.3 BAR)					425 PSIG (29.3 BAR)				
Output Pressure Range	3 - 30 PSIG (.2 - 2.1 BAR) 6 - 60 PSIG (.4 - 4.1 BAR) 12 - 125 PSIG (.9 - 8.8 BAR) 15 - 150 PSIG (1 - 10 BAR)					3 - 30 PSIG (.2 - 2.1 BAR) 6 - 60 PSIG (.4 - 4.1 BAR) 12 - 125 PSIG (.9 - 8.8 BAR) 15 - 150 PSIG (1 - 10 BAR)				
Supply Pressure Sensitivity @ 25 psig / 1.7 BAR change in supply	± 1.0 PSIG (0.07 BAR) Output Change					± 1.0 PSIG (0.07 BAR) Output Change				
Repeatability	± 0.25 PSIG (0.02 BAR)					± 0.25 PSIG (0.02 BAR)				
Port Sizes (NPT)	1/4"	3/8"	1/2"	3/4"	1"	1/4"	3/8"	1/2"	3/4"	1"
Flow @ 100 psig (6.9 BAR) Supply 20 psig (1.4 BAR) outlet	38 scfm (1075 lpm)	42 scfm (1188 lpm)	95 scfm (2688 lpm)	105 scfm (2972 lpm)	400 scfm (11327 lpm)	38 scfm (1075 lpm)	42 scfm (1188 lpm)	95 scfm (2688 lpm)	105 scfm (2972 lpm)	400 scfm (11327 lpm)
Exhaust Capacity @ 5 psig (0.34 BAR) above setpoint	0.1 scfm (2.8 LPM)	0.1 scfm (2.8 lpm)	0.1 scfm (2.8 lpm)	0.1 scfm (2.8 lpm)	0.1 scfm (2.8 lpm)	0.1 scfm (2.8 lpm)	0.1 scfm (2.8 lpm)	0.1 scfm (2.8 lpm)	0.1 scfm (2.8 lpm)	0.1 scfm (2.8 lpm)
Temperature Range	-4 to 176 °F (-20 to 80 °C)					-4 to 176 °F (-20 to 80 °C)				
Air Consumption	0.5 SCFH (0.24 LPM) Maximum					0.5 SCFH (0.24 LPM) Maximum				
Materials of Construction	316 Stainless Steel housing and screen nitrile elastomers					316 Stainless Steel housing and filter assemblies nitrile elastomers				

### Type 52SS Ordering Information

	1/4" Ports Part Number	3/8" Ports Part Number	1/2" Ports Part Number	3/4" Ports Part Number	1" Ports Part Number	Set Point Range	
						BAR	psig
T-52SSR	960-560-000	960-564-000	960-568-000	960-572-000	960-576-000	.2 - 2.1	3 - 30
	960-561-000	960-565-000	960-569-000	960-573-000	960-577-000	.4 - 4	6 - 60
	960-562-000	960-566-000	960-570-000	960-574-000	960-578-000	.9 - 8.8	12 - 125
	960-563-000	960-567-000	960-571-000	960-575-000	960-579-000	1 - 10	15 - 150
T-52SSFR	960-580-000	960-584-000	960-588-000	960-592-000	960-596-000	.2 - 2.1	3 - 30
	960-581-000	960-585-000	960-589-000	960-593-000	960-597-000	.4 - 4	6 - 60
	960-582-000	960-586-000	960-590-000	960-594-000	960-598-000	.9 - 8.8	12 - 125
	960-583-000	960-587-000	960-591-000	960-595-000	960-599-000	1 - 10	15 - 150
T-52SSAR	960-600-000	960-604-000	960-608-000	960-612-000	960-616-000	.2 - 2.1	3 - 30
	960-601-000	960-605-000	960-609-000	960-613-000	960-617-000	.4 - 4	6 - 60
	960-602-000	960-606-000	960-610-000	960-614-000	960-618-000	.9 - 8.8	12 - 125
	960-603-000	960-607-000	960-611-000	960-615-000	960-619-000	1 - 10	15 - 150

Type 52SSAR Auto Filter					
Filter	Built in 25 micron filter with auto-drain				
Maximum Supply Pressure	425 psig (29.3 BAR)				
Output Pressure Range	3 - 30 PSIG (.2 - 2.1 BAR) 6 - 60 PSIG (.4 - 4.1 BAR) 12 - 125 PSIG (.9 - 8.8 BAR) 15 - 150 PSIG (1 - 10 BAR)				
Supply Pressure Sensitivity @ 25 psig / 1.7 BAR change in supply	± 1.0 PSIG (0.07 BAR) Output Change				
Repeatability	± 0.25 PSIG (0.02 BAR)				
Port Sizes (NPT)	1/4"	3/8"	1/2"	3/4"	1"
Flow @ 100 psig (6.9 BAR) Supply 20 psig (1.4 BAR) outlet	38 scfm (1075 lpm)	42 scfm (1188 lpm)	95 scfm (2688 lpm)	105 scfm (2972 lpm)	400 scfm (11327 lpm)
Exhaust Capacity @ 5 psig (0.34 BAR) above setpoint	0.1 scfm (2.8 lpm)	0.1 scfm (2.8 lpm)	0.1 scfm (2.8 lpm)	0.1 scfm (2.8 lpm)	0.1 scfm (2.8 lpm)
Temperature Range	-4 to 176 °F (-20 to 80 °C)				
Air Consumption	0.5 SCFH (0.24 LPM) Maximum				
Materials of Construction	316 Stainless Steel housing and filter assemblies Nitrile elastomers				



### Regulator Options and Accessories

#### Non-Relieving

Used in applications where it is desirable to relieve pressure downstream and not at the regulator. Non-relieving regulators should not be used for low or no flow applications.

#### 5 Micron Filter

Replaces the 25 micron filter for more complete air filtration. (Except Type 52SSR)

#### Mounting Bracket

316 Stainless Steel bracket for side mounting. P/N 607-309-000

### Type 52SS Options

• = option is available		T-52SSR	T-52SSFR	T-52SSAR
2	Non-Relieving	•	•	•
3	Hex Head Adjustment	•	•	•
4	5 Micron Filter		•	•

### Type 52SS Option Ordering Matrix

Replace last three digits of part number with digits from table below. *				
Option		2	3	4
2	Non-Relieving	002	032	042
3	Hex Head Adjustment		003	043
4	5 Micron Filter			004

\* If ordering all three options (Non-relieving, Hex Head Adjustment Screw, and 5 Micron Filter) on the T-52SSFR or T-52SSAR, Use the code "432" in the last three digits of the part number.

**Type 52SS Dimensional Drawings**

