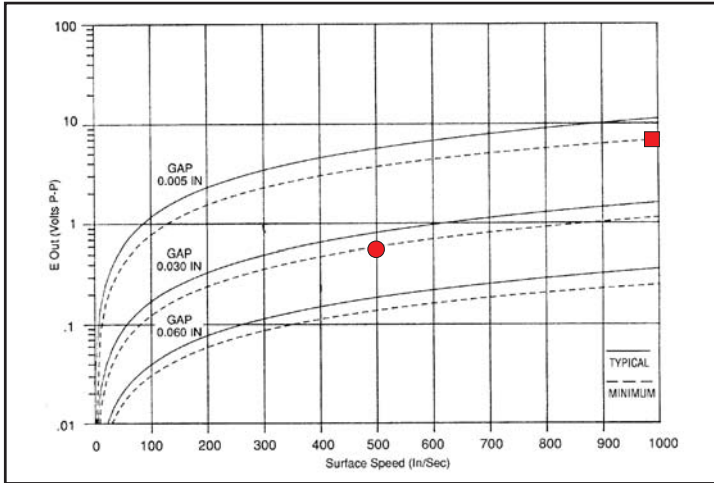


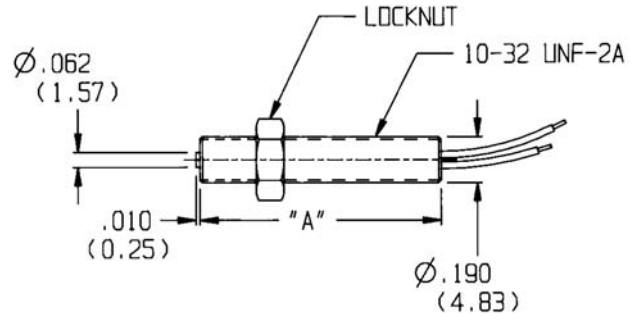
## High Sensitivity

Ordering Part #	Thread Length (A)
70085-1010-037	.500 (12.70)
70085-1010-299	1.250 (31.75)

### Performance Curves



Based on 20 D.P. Gear



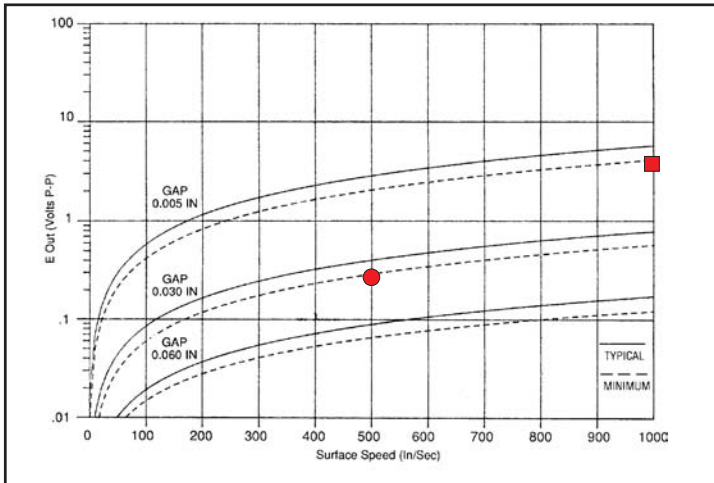
### Specifications:

- Output Voltage (Standard): 13 V (P-P)
- Output Voltage (Guarantee Point): .6 V (P-P)
- DC Resistance: 190 ohms max.
- Typical Inductance: 10 mH, ref.
- Output Polarity: White lead positive
- Operating Temperature: -55 to +107°C
- Lead Length: 18 in (45.7 cm)
- Net Weight: 1 oz. max.

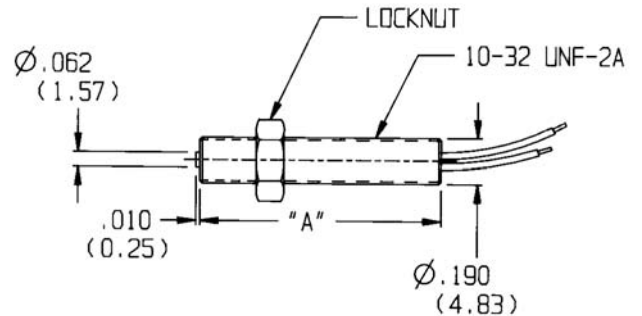
## General Purpose – High Temperature

Ordering Part #	Thread Length (A)
70085-1010-182	.500 (12.70)
70085-1010-289	1.250 (31.75)

### Performance Curves



Based on 20 D.P. Gear



### Specifications:

- Output Voltage (Standard): 6 V (P-P)
- Output Voltage (Guarantee Point): .3 V (P-P)
- DC Resistance: 50 ohms max.
- Typical Inductance: 2 mH, ref.
- Output Polarity: White lead positive
- Operating Temperature: -73 to +150°C
- Lead Length: 18 in (45.7 cm)
- Net Weight: 1 oz. max.

AI-Tek Instruments, Cheshire, CT USA

Dimensions in inches and (mm).