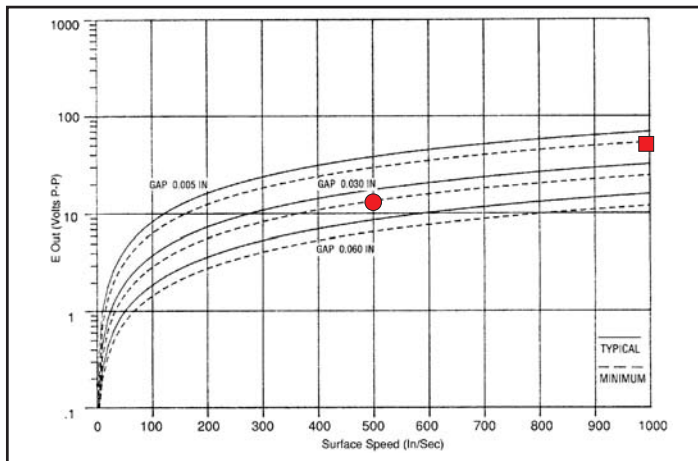


UL/ATEX/CSA Sensors

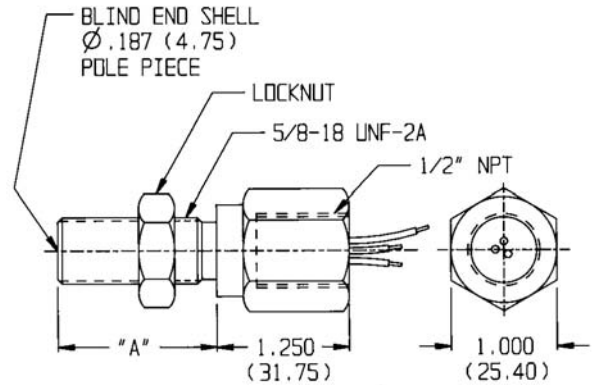
Ordering Part #	Thread Length (A)	
70085-1010-081	1.500	(38.10)
70085-1010-411	1.875	(47.63)
70085-1010-329	2.750	(69.85)
70085-1010-330	4.000	(101.60)
70085-1010-412	6.000	(152.40)

Rating: UL and CSA listed for hazardous locations. Class I, Div 1, Groups A, B, C & D; Class II, Div 1, Groups E, F, G. Temp Code T3C. ATEX Group II, Category 3G, Zone 2

Performance Curves



Based on 8 D.P. Gear



Specifications:

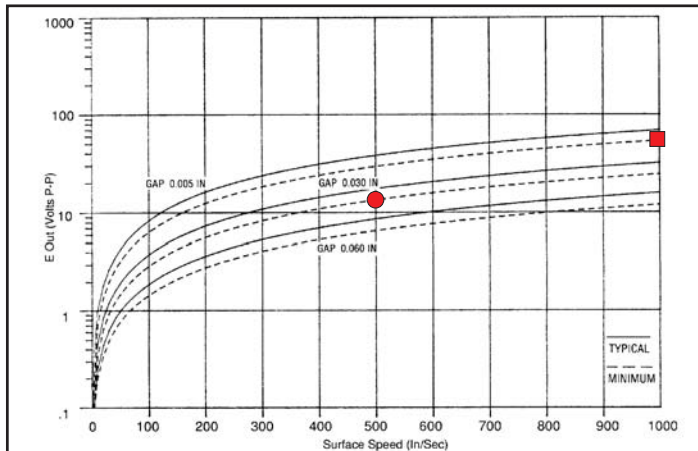
- Output Voltage (Standard): 54 V (P-P)
- Output Voltage (Guarantee Point): 13.4 V (P-P)
- DC Resistance: 240 ohms max.
- Typical Inductance: 30 mH ref.
- Output Polarity: White lead positive
- Operating Temperature: -65 to 100°C
- Lead Length: 10 ft (3.05 m)
- Housing Ground: Green/Yellow Tracer
- Net Weight: 14 oz. max.

UL/ATEX/CSA Sensors

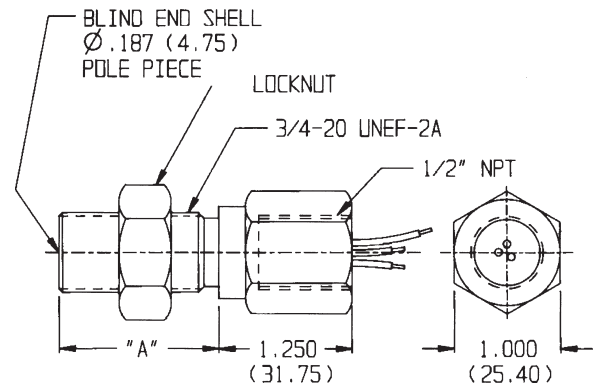
Ordering Part #	Thread Length (A)	
70085-1010-413	1.500	(38.10)
70085-1010-005	1.875	(47.63)
70085-1010-327	2.750	(69.85)
70085-1010-328	4.000	(101.60)
70085-1010-414	6.000	(152.40)

Rating: UL and CSA listed for hazardous locations. Class I, Div 1, Groups A, B, C & D; Class II, Div 1, Groups E, F, G. Temp Code T3C. ATEX Group II, Category 3G, Zone 2

Performance Curves



Based on 8 D.P. Gear



Specifications:

- Output Voltage (Standard): 54 V (P-P)
- Output Voltage (Guarantee Point): 13.4 V (P-P)
- DC Resistance: 240 ohms max.
- Typical Inductance: 30 mH ref.
- Output Polarity: White lead positive
- Operating Temperature: -65 to +100°C
- Lead Length: 10 ft (3.05 m)
- Housing Ground: Green/Yellow Tracer
- Net Weight: 14 oz. max.

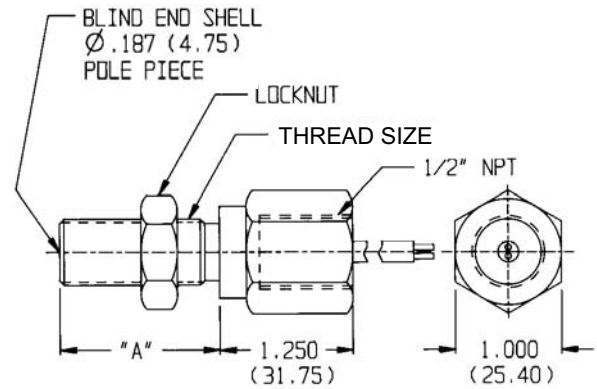
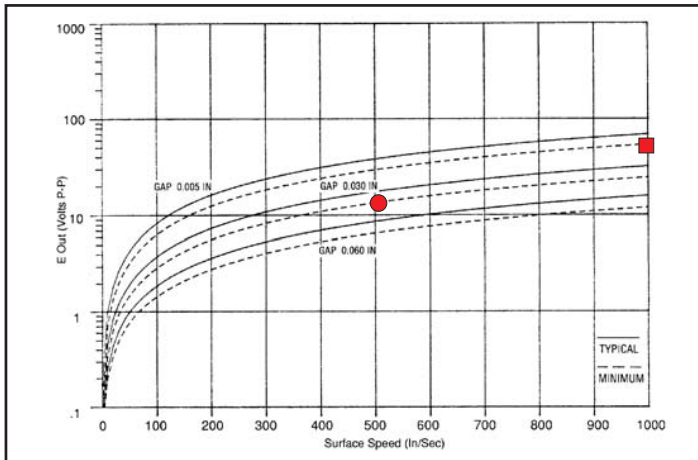
Dimensions in inches and (mm).

FM / ATEX Sensors

Ordering Part #	Thread Length (A)	Thread Size (B)
70085-1010-404	1.500 (38.10)	5/8-18 UNF-2A
70085-1010-544	1.875 (47.63)	5/8-18 UNF-2A
70085-1010-406	2.750 (69.85)	5/8-18 UNF-2A
70085-1010-417	4.000 (101.60)	5/8-18 UNF-2A
70085-1010-420	6.000 (152.40)	5/8-18 UNF-2A
70085-1010-541	1.875 (47.63)	3/4-20 UNEF-2A
70085-1010-542	2.750 (69.85)	3/4-20 UNEF-2A
70085-1010-540	4.000 (101.60)	3/4-20 UNEF-2A
70085-1010-543	6.000 (152.40)	3/4-20 UNEF-2A

Rating: FM listed Intrinsically Safe, Class I, Division 1, Groups A, B, C, D; ATEX Group II, Category 3G, Zone 2.

Performance Curves



Specifications:

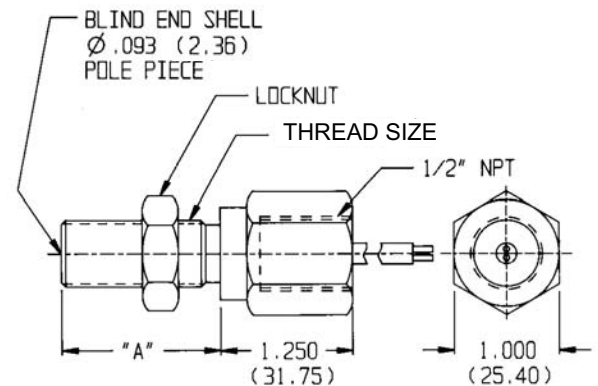
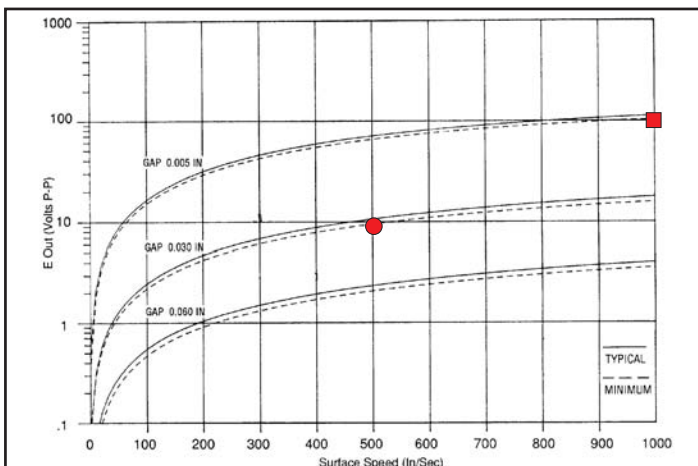
- Output Voltage (Standard): 60V (P-P)
- Output Voltage (Guarantee Point): 13.4V (P-P)
- DC Resistance: 210 ohms max.
- Typical Inductance: 75 mH max.
- Output Polarity: White lead positive
- Operating Temperature: -55 to +220°C
- Cable Length: 15 ft. (4.57m)
- Net Weight: 16 oz. max.

FM / ATEX Sensors

Ordering Part #	Thread Length (A)	Thread Size (B)
70085-1010-403	1.500 (38.10)	5/8-18 UNF-2A
70085-1010-415	4.000 (101.60)	5/8-18 UNF-2A
70085-1010-416	6.000 (152.40)	5/8-18 UNF-2A
70085-1010-405	2.750 (69.85)	3/4-20 UNEF-2A

Rating: FM listed Intrinsically Safe, Class I, Division 1, Groups A, B, C, D; ATEX Group II, Category 3G, Zone 2.

Performance Curves



Specifications:

- Output Voltage (Standard): 90 V (P-P)
- Output Voltage (Guarantee Point): 9.4 V (P-P)
- DC Resistance: 750 ohms max.
- Typical Inductance: 210 mH max.
- Output Polarity: White lead positive
- Operating Temperature: -55 to +232° C
- *Mounting Thread: -0405, 3/4 - 20 UNEF-2A
- Cable Length: 15 ft (4.57 m)
- Net Weight: 16 oz. max.

IEC EX Sensors

Ordering Part #	Thread Length (A)	Thread Size (B)	Cable Length (C)	Conduit Thread
70085-3030-111	1.500 (38.10)	5/8-18 UNF-2A	3 m	1/2 NPT
70085-3030-112	2.750 (68.85)	5/8-18 UNF-2A	3 m	1/2 NPT
70085-3030-113	4.000 (101.6)	5/8-18 UNF-2A	3 m	1/2 NPT
70085-3030-114	6.000 (152.4)	5/8-18 UNF-2A	3 m	1/2 NPT
70085-3030-211	1.500 (38.10)	5/8-18 UNF-2A	10 m	1/2 NPT
70085-3030-212	2.750 (68.85)	5/8-18 UNF-2A	10 m	1/2 NPT
70085-3030-213	4.000 (101.6)	5/8-18 UNF-2A	10 m	1/2 NPT
70085-3030-214	6.000 (152.4)	5/8-18 UNF-2A	10 m	1/2 NPT
70085-3030-222	2.750 (68.85)	3/4-20 UNEF-2A	10 m	1/2 NPT
70085-3030-235	1.575 (40.00)	M16 x 1.5 6g	10 m	G 1/2
70085-3030-237	3.937 (100.0)	M16 x 1.5 6g	10 m	G 1/2

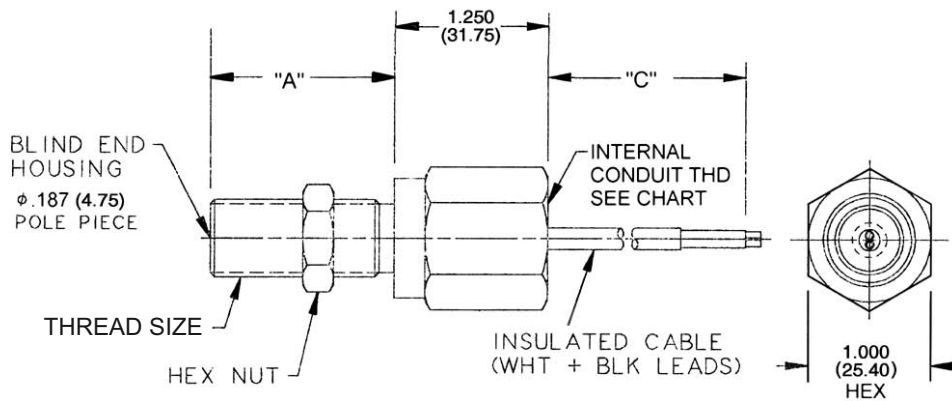


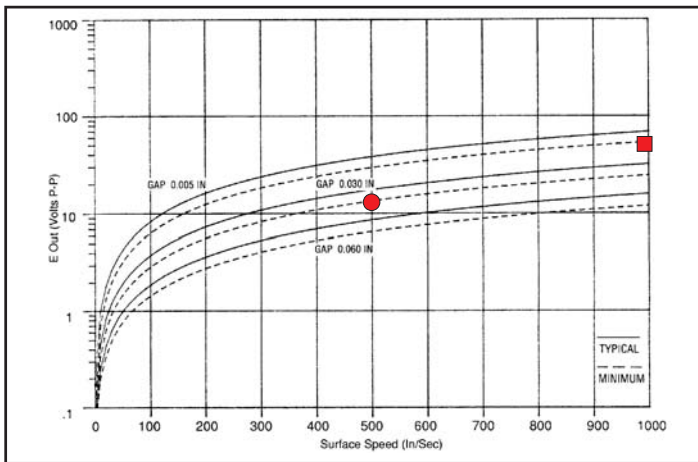
Figure 1: Dimension Drawing

Rating: ATEX and IEC Ex Equip Group II, Category 2G, Gas Group IIC, Zone 1

Sensor must be used with MTL 7764ac intrinsic barrier

User must install sensor in such a manner as to limit the output voltage to less than 12V Pk-Pk and a total energy of less than 26 microjoules

Performance Curves



Based on 8 D.P. Gear

Available in a range of inch and metric thread lengths and sizes and cable lengths of 3 or 10 meters. Consult factory for additional details.

Specifications:

- Output Voltage (Standard): 54 V (P-P)
- Output Voltage (Guarantee Point): 13.4 V (P-P)
- DC Resistance: 240 ohms max.
- Typical Inductance: 30 mH ref.
- Output Polarity: White lead positive
- Operating Temperature: -65 to 100°C
- Net Weight: 14 oz. max.