

## Type 1008S Stainless Case Gauge with Stainless Steel System



### FEATURES

- Patented PowerFlex™ movement
- All stainless steel welded construction
- True Zero™ pointer indication
- NEW ventable plug
- NEW MSL helium leak tested to  $1 \times 10^{-6}$  ATM -cc/sec
- RoHS compliant
- CRN approved
- 1 year limited warranty
- Exceeds ASME B40.100 grade B
- Meets EN837-1 upon request for 63mm dial size (order variation "XER")

Ashcroft is pleased to reintroduce the 1008S pressure gauge. This gauge has been upgraded with many new features outlined above while maintaining the tried and true performance and quality you have come to expect.

Type 1008S gauges provide significant features and benefits. New features include a ventable plug that can be sealed or vented depending on your environment.

The combination of features including the patented PowerFlex™ movement and optional PLUS!™ Performance dampening system in the Ashcroft 1008S gauge is the finest gauge technology for vibration, shock and pulsation applications. Available in pressure ranges from vacuum to 15,000 psi, including compound and metric ranges.

### PRODUCT SPECIFICATIONS

<b>Ashcroft Type No.:</b>	1008S
<b>Sizes:</b>	63mm, 100mm
<b>Case:</b>	304SS
<b>Ring:</b>	304SS crimped
<b>Window:</b>	Polycarbonate
<b>Dial:</b>	Black figures on white background, aluminum
<b>Pointer:</b>	Friction adjust, black, aluminum
<b>Bourdon Tube:</b>	316L stainless steel C-Shaped (vacuum-600 psi and compound) Helical (1000 psi-15000 psi)
<b>Socket:</b>	316L stainless steel
<b>Movement:</b>	300 series stainless steel, PowerFlex, polyester segment, overload/underload stops
<b>Connections:</b>	1/8 and 1/4 NPT, lower or lower back 1/2 NPT lower (100mm) only
<b>Ranges:</b>	Vac-15000 psi and compound
<b>Accuracy:</b>	1.6% full scale <sup>(1)</sup>
<b>Fill Plug:</b>	Ventable
<b>Protection:</b>	Nema 4X / IP65 plug sealed Nema 3 / IP54 plug vented
<b>Ambient Temperature Limitations:</b>	-40°F to 200°F dry +20°F to 150°F glycerin filled -40°F to 150°F silicone filled (based on standard polycarbonate window)
<b>OPTIONAL FEATURES</b>	
<b>Liquid fill:</b>	Glycerin, silicone, halocarbon (includes throttle plug)
<b>Dampening:</b>	PLUS!™ Performance (LL) (includes throttle plug)
<b>Connections:</b>	Metric and SAE on request
<b>Mounting:</b>	U-clamp (UC), Front flange (FF),
<b>Dials:</b>	Receiver ranges, refrigerant ranges; custom dials

<sup>(1)</sup> When these gauges are liquid filled the total gauge accuracy may be as much as 2.0%

### HOW TO ORDER (Typical example)

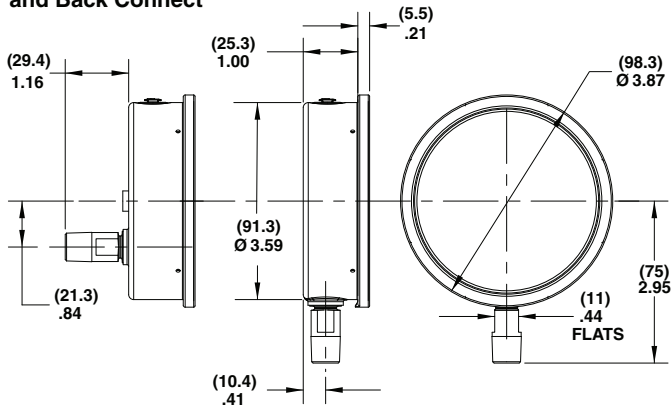
	<b>63</b>	<b>1008</b>	<b>S (L)</b>	<b>02L</b>	<b>XXX</b>	<b>100#</b>
<b>Dial Size:</b> 63mm (63), 100mm (10)	_____	_____	_____	_____	_____	_____
<b>Case Type:</b> 1008	_____	_____	_____	_____	_____	_____
<b>Tube and Socket Material:</b> 316L SS	_____	_____	_____	_____	_____	_____
<b>Liquid Filled:</b> (glycerin) leave blank if dry	_____	_____	_____	_____	_____	_____
<b>Connection Size:</b> 1/8 (01), 1/4 (02), 1/2 (04) 100mm lower only	_____	_____	_____	_____	_____	_____
<b>Connection Location:</b> Lower (L), Lower Back (B)	_____	_____	_____	_____	_____	_____
<b>Options:</b>	_____	_____	_____	_____	_____	_____
<b>Range:</b> 0/100 psi	_____	_____	_____	_____	_____	_____

# Type 1008S Stainless Case Gauge with Stainless Steel System

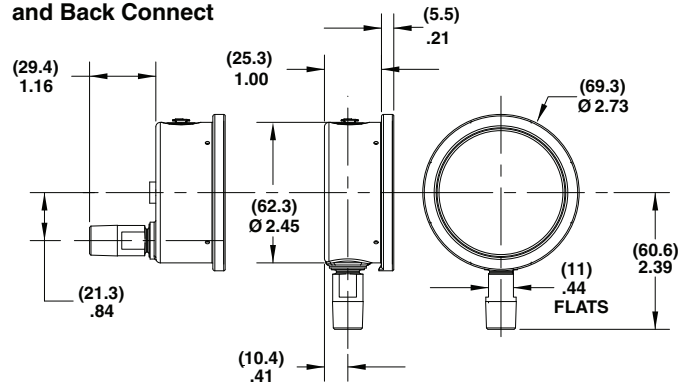
## DIMENSIONS

All dimensions in brackets ( ) are millimeters.

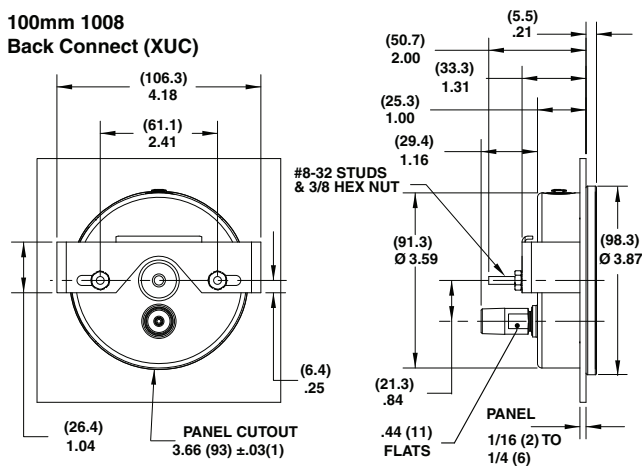
### 100mm 1008 Lower and Back Connect



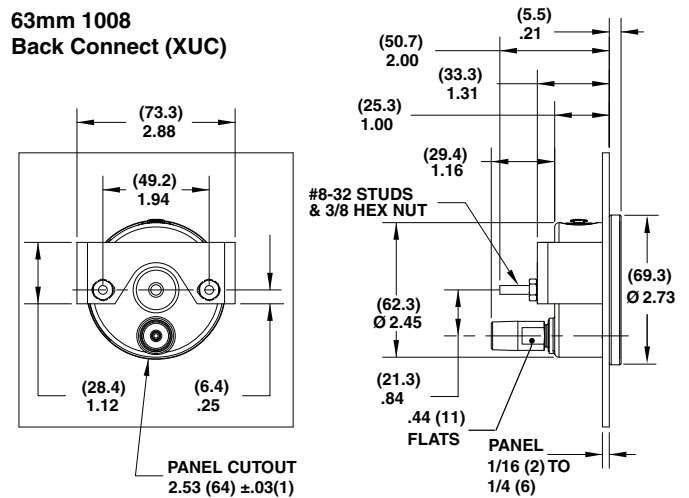
### 63mm 1008 Lower and Back Connect



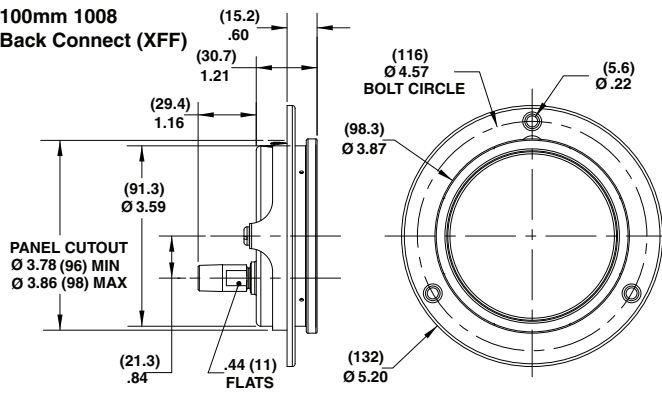
### 100mm 1008 Back Connect (XUC)



### 63mm 1008 Back Connect (XUC)



### 100mm 1008 Back Connect (XFF)



### 63mm 1008 Back Connect (XFF)

