

Data Sheet

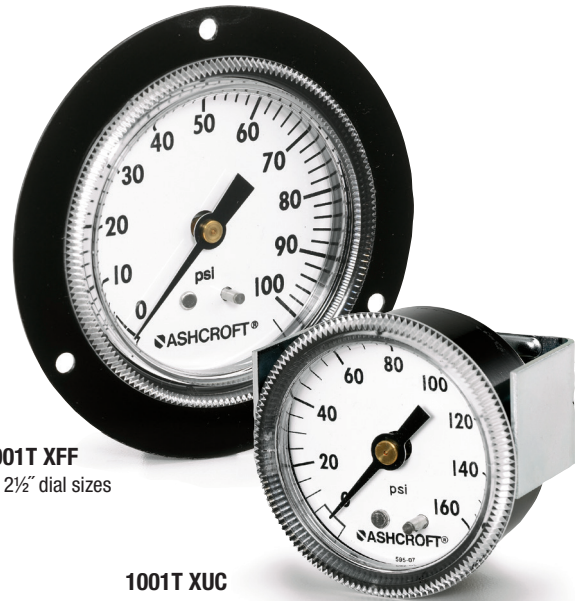
1001TH Panel Mount Gauge

FEATURES

- PowerFlex™ movement provides superior resistance to shock, vibration and pulsation
- TrueZero™ reduces reading errors by using a “zero box” instead of conventional dial pins
- FlutterGuard™ (option) reduces movement wear and pointer flutter
- Standard panel-mounting with U-clamp design

TYPICAL USES

- Instrument panels
- Air conditioning equipment
- Air and gas dryers
- Machine tools
- Pumps and compressors
- Hydraulics and pneumatics
- OEM equipment



1001T XFF
2", 2½" dial sizes

1001T XUC
1½", 2", 2½", 3½" dial sizes



SPECIFICATIONS

Accuracy:	±3-2-3% of span (ASME B40.100, Grade B)
Dial Sizes:	1½", 2", 2½", 3½"
Ranges:	Vacuum, compound to 6,000 psi (1½" available in Vacuum to 1,000 psi only)
Process Connection Location:	Back
Process Connection Size:	⅛ NPT and ¼ NPT Male (1½" not available in ¼ NPT)
Dial:	Black figures on white background, aluminum
Pointer:	Black, aluminum
Movement:	PowerFlex™ with polyester
Dampening Options:	FlutterGuard™

WETTED COMPONENTS

Bourdon Tube	Process Connection	Restrictor
Bronze	Brass	0.013" orifice restrictor in gauges 1,000 psi and above

NON-WETTED COMPONENTS

Case	Window
Steel	Polycarbonate (STD.), Simulated chrome trim (OPT.)

KEY BENEFITS

- ¼ turn polycarbonate window provides better dial visibility

MIN/MAX TEMPERATURE LIMITS

Version	Ambient	Process	Storage
1001T	-40 °F to 150 °F (-40 °C to 65 °C)	-40 °F to 150 °F (-40 °C to 65 °C)	-40 °F to 150 °F (-40 °C to 65 °C)

Data Sheet

1001TH Panel Mount Gauge

ORDERING CODE	Example:	20	W	1001T	H	02	B	XAPUC	100#
Dial Size									
15 - 1½"		20							
20 - 2"									
25 - 2½"									
35 - 3½"									
Movement type									
W - PowerFlex™			W						
Model									
1001T - Black painted steel, ¼ turn polycarbonate window				1001T					
Process Connection Material									
H - Brass					H				
Process Connection Size									
01 - ⅛ NPT Male									
02 - ¼ NPT Male (not available in 1½")						02			
KJ - ¼ Straight BSPT; PT ¼ JIS									
KA - ¼ Tapered BSPT; PT ¼ JIS									
KG - ⅛ BSPT; R ⅛									
13 - G ¼ B									
77 - G ⅛ No spigot									
EX - 37° flare									
FP - 45° flare									
Process Connection Location									
B - Center back							B		
Options – Minimums apply for optional features (If choosing an option(s) must include an "X")									
UC - Studs on gauge case with u-clamp and nuts (not available with FF)								X_____	
FF - Front flange case with 3 mounting holes in flange (2" and 2½" only) (not available with UC)									UC
7F - FlutterGuard™ logo on dial (can only be used in conjunction with SF option)									
AP - Adjustable pointer									AP
EP - Min./Max. pointer									
M1 - Dial marking "Supply"									
M2 - Dial Marking "Output"									
M3 - Dial marking "Instrument"									
NP - Nickel plated socket									
OR - Refrigeration application									
PR - Receiver gauge Receiver gauge dial code; 12# - ALK (0-100 linear); 12# - ALL (0/100%); 12# - APR (0-10 sq. root)									
RS - RoHS compliant (EN directives 2011/65/EN and 2015/863)									
SF - FlutterGuard™ (includes 0.013" orifice throttle plug)									
TC - Only available on 1001T - XFF									
T4 - 0.007" orifice restrictor									
T5 - 0.013" orifice restrictor(standard for ranges 1,000-6,000 psi)									
T6 - Dial marking "Transmit"									
T7 - 0.020" orifice restrictor									
T9 - 0.063" orifice restrictor									
VH - Vent hole in case									
YZ - Chrome plated case									
ZO - Bulk pack									
ZP - Customer part number on carton/plain white label									
ZQ - Customer part number printed directly on carton									
Ranges – See Ranges Table on page 3 - Single Scale (For dual scale contact factory)									
100# - 0-100 psi									100#

1001TH Panel Mount Gauge
TABLE 1

							Dial Size	1½"	2"	2"	2½"	2½"	3½"	3½"
							Conn. Size	½ NPT	½ NPT	¼ NPT	½ NPT	¼ NPT	½ NPT	¼ NPT
psi	CODE	bar	CODE	kPa	CODE	Kg/cm	CODE							
30IMV/0	VAC	-1/0	VAC-ABE	-100/0	VAC-AGF	76cmHg/0	VAC-ADP	•	•	•	•	•		•
30IMV/15	15#&VAC	-1/0/1.5	15/V-AAS			76cmHg/0/1	15/V-ADB		•	•	•	•		•
30IMV/30	30#&VAC			-100/0/150	30/V-AFT	76cmHg/0/2	30/V-ADD		•	•	•	•		•
30IMV/60	60#&VAC	-1/0/3	60/V-AAU	-100/0/300	60/V-AFV	76cmHg/0/4	60/V-BEI		•	•	•	•		•
30IMV/100	100#&VAC	-1/0/5	100/V-AAW	-100/0/500	100/V-AFX	76cmHg/0/6	100/V-BEJ		•	•	•	•		•
30IMV/160	160#&VAC	-1/0/9	160/V-AYY	-100/0/900	160/V-AFZ	76cmHg/0/10	160/V-ADI		•	•	•	•		•
30IMV/300	300#&VAC	-1/0/15	300/V-ABB			76cmHg/0/20	300/V-BEL		•	•	•	•		
0/15	15#	0/1	15#-AAA	0/100	15#-AFB	0/1	15#-ACK	•	•	•	•	•		•
0/30	30#	0/2.5	30#-AAD	0/200	30#-AFD	0/2	30#-ACM	•	•	•	•	•	•	•
				0/250	30#-AFE			•	•	•	•	•	•	•
0/60	60#	0/4	60#-AAF	0/400	60#-AFG	0/4	60#-ACP	•	•	•	•	•	•	•
0/100	100#	0/7	100#-AAH	0/600	100#-AFH	0/6	100#-ACQ	•	•	•	•	•	•	•
0/160	160#	0/10	160#-AAI	0/1000	160#-AFJ	0/10	160#-ACS	•	•	•	•	•	•	•
0/200	200#	0/16	200#-AAL	0/1600	200#-AFM	0/15	200#-BEA	•	•	•	•	•	•	•
0/300	300#					0/20	300#-BEB	•	•	•	•	•	•	•
0/400	400#	0/25	400#-AAN	0/2500	400#-AFO	0/25	400#-ACX	•	•	•	•	•	•	•
0/600	600#	0/40	600#-AAP	0/4000	600#-AFQ	0/50	600#-BED	•	•	•	•	•	•	•
0/1000	1000#	0/60	1000#-AMK	0/6000	1000#-BAU	0/70	1000#-ANB	•		•	•			•
0/1500	1500#	0/100	1500#-AMM	0/10,000	1500#-ATK	0/100	1500#-ANC			•	•			•
0/2000	2000#	0/160	2000#-AMO	0/16,000	2000#-BAW	0/150	2000#-BEE			•	•			•
0/3000	3000#									•	•			•
0/4000	4000#	0/250	4000#-AMQ	0/25,000	4000#-BAX	0/250	4000#-ANG			•	•			•
0/5000	5000#					0/350	5000#-BEF			•	•			•
0/6000	6000#	0/400	6000#-AUE	0/40,000	6000#-ATU	0/500	6000#-BEG			•	•			•

Data Sheet

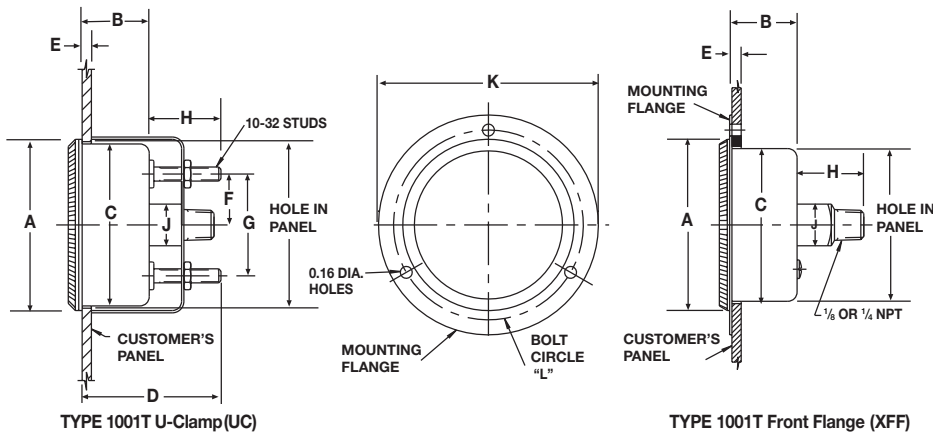
1001TH Panel Mount Gauge

DIMENSIONS in [] are millimeters

For reference only, consult Ashcroft for specific dimensional drawings

1001T Hole Diameter Dimensions

Panel Cut-out	Min. Inches [mm]	Max. Inches [mm]	Max. Panel Thickness
1½" Gauge	1.625" [41.3]	1.750" [44.5]	⅛" [3.2]
2" Gauge	2.094" [53.2]	2.219" [56.4]	⅞" [11.0]
2½" Gauge	2.609" [66.3]	2.750" [69.9]	⅞" [11.0]
3½" Gauge	3.625" [92.1]	3.812" [96.8]	⅞" [11.0]



Case Type 1001T [UC]

INCHES [MM]	A	B	C	D	E	F	G	H	J	K	L	Conn. NPT	Weight oz / kg
1½"	1.85 [47]	0.85 [22]	1.60 [41]	1.23 [31]	0.13 [3]	0.56 [14]	1.13 [29]	0.67 [17]	⅞ sq [11]	–	–	⅛	oz / kg
2"	2.30 [59]	0.94 [24]	2.06 [52]	1.94 [49]	0.17 [4]	0.69 [18]	1.38 [35]	0.88 [22]	⅞ sq. [14]	–	–	⅛ or ¼	5.36 oz 0.152 kg
2½"	2.87 [73]	0.97 [25]	2.57 [65]	1.97 [50]	0.17 [4]	1.00 [25]	2.00 [51]	0.88 [22]	⅞ sq. [14]	–	–	⅛ or ¼	6.91 oz 0.196 kg
3½"	3.96 [101]	1.00 [25]	3.61 [92]	1.75 [44]	0.20 [5]	1.53 [39]	3.06 [78]	0.88 [22]	⅞ sq. [14]	–	–	⅛ or ¼	8.40 oz 0.238 kg

Case Type 1001T [XFF]

2"	2.30 [59]	0.88 [22]	2.06 [52]	–	0.17 [4]	–	–	0.88 [22]	⅞ sq. [14]	2.95 [75]	2.56 [65]	⅛ or ¼	4.23 oz 0.120 kg
2½"	2.87 [73]	0.97 [25]	2.59 [66]	–	0.17 [4]	–	–	0.86 [22]	⅞ sq. [14]	3.69 [94]	3.31 [84]	⅛ or ¼	5.64 oz 0.160 kg