

Center Back Connection, 63 and 100mm, Type 1008S/SL Stainless Case Gauge



63 mm back connection

100 mm back connection

FEATURES

- ASME 3-2-3% grade B accuracy
- True Zero™ pointer indication
- RoHS compliant
- 1 year limited warranty



63 mm U-clamp



63 mm U-clamp kit #101A164-01



63 mm retrofit kit



63 mm retrofit kit with spacer flange kit #101A140-06



63 mm Front Flange kit #101A140-03 push on flange

PRODUCT SPECIFICATIONS

Ashcroft Type No.:	1008S
Sizes:	63mm, 100mm
Case:	304SS
Ring:	304SS crimped
Window:	Polycarbonate
Dial:	Black figures on white background, aluminum
Pointer:	Black, aluminum
Bourdon Tube:	316 SS Bourdon tube and socket TIG welded. Throttle plug standard for all liquid gauges and dry gauges above 1000 psi.
Socket:	316 SS, Buna-N O-ring seal
Movement:	Stainless steel, gear type.
Mounting:	Stem mounting or panel mounting with U-Clamp or Front Flange. All gauges have rear weld nuts for U-clamp mounting.
Connections:	¼ NPT center back
Ranges:	From Vac-20,000 psi and compound
Accuracy:	ASME 3-2-3% grade B
Fill Plug:	Buna-N ventable design
Protection:	Nema 4X / IP65 plug sealed Nema 3 / IP54 plug vented
Ambient Temperature	-40°F to 200°F dry +20°F to 150°F glycerin filled (based on standard polycarbonate window)

OPTIONAL FEATURES

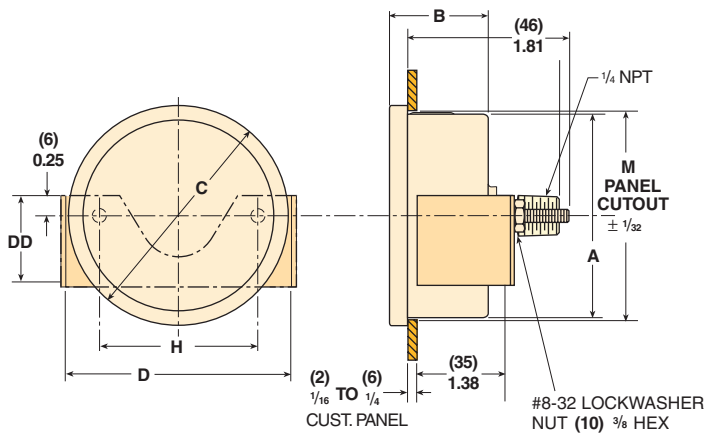
Liquid fill:	Glycerin
Mounting:	- Flush panel mounting 3 hole flange - Panel mounting clamps - Retrofit kit for oversized panel holes. Includes U-clamp and spacer flange.
Dampening:	FlutterGuard™ on application (XSF)

HOW TO ORDER (Typical example)

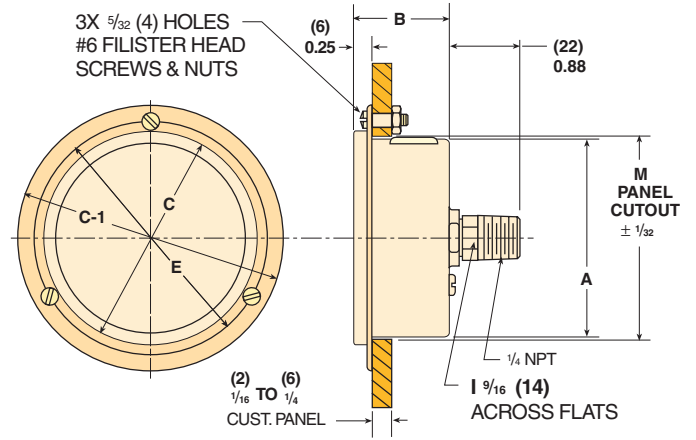
	63	1008	S (L)	02C	100#
Dial Size: 63mm (63), 100mm (10)	_____	_____	_____	_____	_____
Case Type: 1008	_____	_____	_____	_____	_____
Tube and Socket Material: 316 SS	_____	_____	_____	_____	_____
Liquid Filled: (glycerin) leave blank if dry	_____	_____	_____	_____	_____
Connection Size: ¼ (02)	_____	_____	_____	_____	_____
Connection Location: Center Back (C)	_____	_____	_____	_____	_____
Range: 0/100 psi	_____	_____	_____	_____	_____

Center Back Connection, 63 and 100mm, Type 1008S/SL Stainless Case Gauge

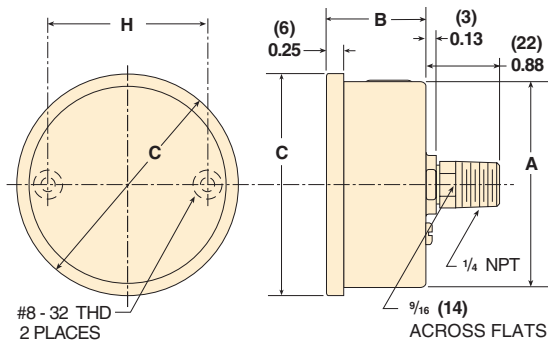
DIMENSIONS



63/100mm Center Back Connection U-clamp



63/100mm Center Back Connection Front Flange



63/100mm Center Back Connection

Gauge Size	A	B	C	C-1	D	DD	E	H	M
(63) 2.48	(63) 2.48	(31) 1.21	(69) 2.71	(86) 3.36	(75) 2.95	(28) 1.12	(75) 2.95	(49) 1.94	(65) 2.54
(100) 3.94	(100) 3.94	(31) 1.24	(106) 4.16	(133) 5.22	(107) 4.20	(28) 1.12	(116) 4.57	(76) 3.00	(101) 3.97

Note: Dimensions in brackets () are millimeters.