

Valves

Low Pressure OEM Valves

Series 9040, 9080

Patent # 3,014,499

Features

- ▶ Original Shear-Seal® technology
- ▶ Low pressure drop
- ▶ Tolerates contaminants
- ▶ Spring return option
- ▶ Flexible design

Applications

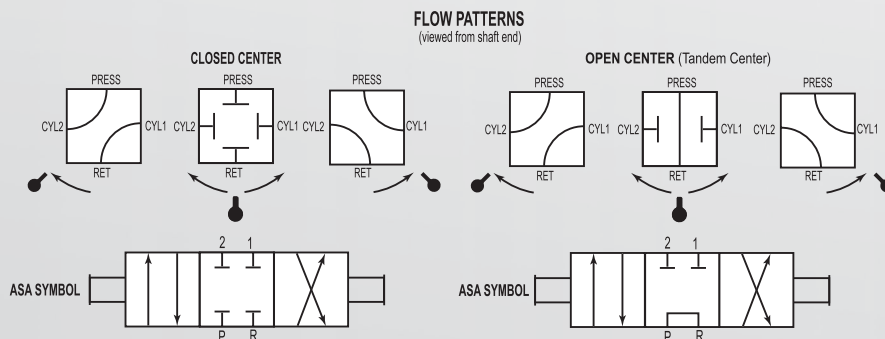
- ▶ Paper mill controls
- ▶ Air pilot valves
- ▶ Halon fill systems
- ▶ Heating oil control
- ▶ Compressed gas manifold control



General Specifications*

Working Pressure:	Gasses or hydraulic fluids up to 500 psi (34 bar)	Media Temperature Range:	-40° to +250°F (-40° to +121°C)
Flow Capacity, Cv:	See table	Wetted Material:	
Back Pressure:	Must not exceed 250 psi (17.2 bar) at return port for satisfactory operation	Rotor:	Hard anodized aluminum
Pressure Drop:	14 psi (0.96 bar) at 20 ft/sec See Supplemental Guide for more detailed information	Pressure Seals:	Brass
Proof Pressure:	1-1/2 times working pressure except at return port	Shaft:	Stainless steel
Burst Pressure:	2-1/2 times working pressure except at return port (500 psi [34 bar])	Body, Housing:	Anodized aluminum
		Bearings:	PTFE/stainless steel
		Standard O-rings:	Buna N, others available

* See product configurator for additional options.



Main Valve Port Size	Flow Capacity (Approx.) Service: Oil			Min. Flow Passage Dia.	Cv Factor	Approx. Shipping Weight lbs (kgs)
	20 ft/sec gpm (l/min)	40 ft/sec gpm (l/min)	60 ft/sec gpm (l/min)			
1/2" & 3/4"	14 (53)	28 (106)	Use Heavy Duty Valve	17/32"	4.80	4.5 (2.0)
1"	25 (95)	51 (190)		23/32"	9.20	11.5 (5.2)
1-1/2"	62 (235)	124 (471)		1-1/8"	24.0	20 (9.1)

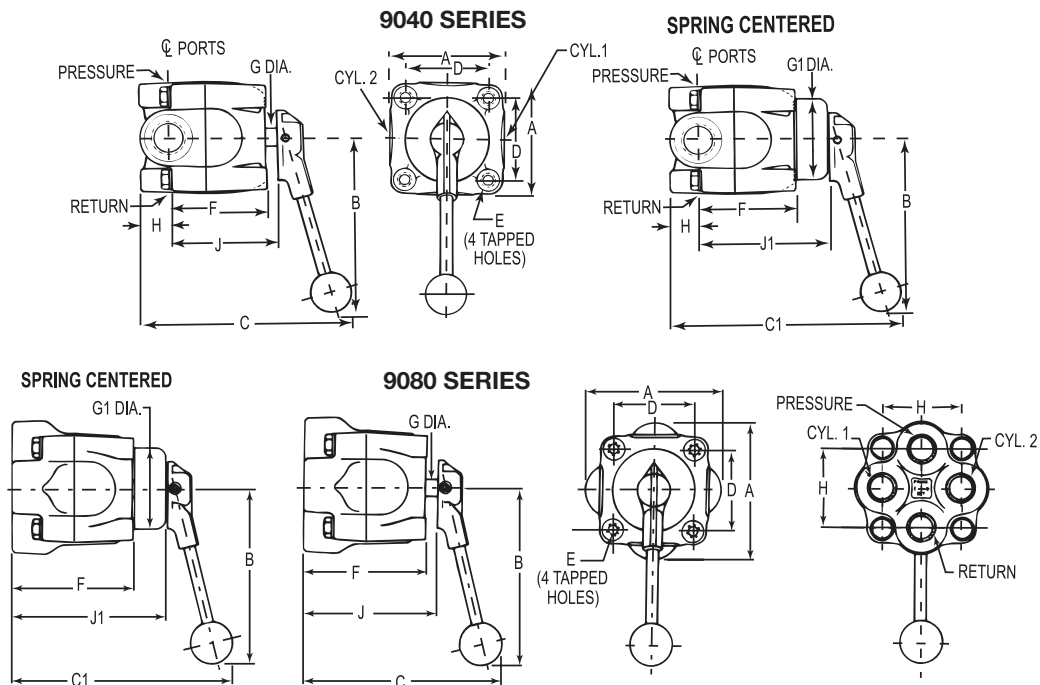
Barksdale®
CONTROL PRODUCTS

Barksdale, Inc./Barksdale GmbH
A Subsidiary of Crane Co.

Low Pressure OEM Valves

Series 9040, 9080

Technical Drawings



9040 Series Regular (side) Porting

Port Size NPT	A	B	C	C1	D	E	F	G Dia.	G1 Dia.	H	J	J1
1/2" & 3/4"	3.5 (88.9)	5.44 (138)	7.37 (187.3)	7.94 (201.6)	2.56 (65.0)	3/8 - 16 NC	3.03 (77.0)	0.56 (14.2)	2.56 (65.0)	0.88 (22.4)	3.38 (85.9)	3.94 (100)
1"	4.5 (114)	8.44 (214)	8.16 (207)	9.03 (229.4)	3.31 (84.1)	1/2 - 13 NC	3.59 (91.2)	0.75 (19.1)	3.375 (85.7)	1.06 (26.9)	3.94 (100)	4.81 (122.2)
1-1/2"	6.38 (162)	10.35 (263)	9.66 (245)	10.53 (267.5)	4.75 (121)	3/4 - 10 NC	4.656 (118.3)	0.88 (22.4)	3.375 (85.7)	1.37 (34.9)	5.03 (128)	5.906 (150)

9080 Series Straight (bottom) Porting

Port Size NPT	A	B	C	C1	D	E	F	G Dia.	G1 Dia.	H	J	J1
1/2" & 3/4"	4.19 (106)	5.44 (138)	7.34 (186)	7.9 (200.8)	2.56 (65.0)	3/8 - 16 NC	3.88 (98.6)	0.56 (14.2)	2.56 (65.0)	2.50 (63.5)	4.22 (107)	4.78 (121)

Dimensions in inches (mm)

Product Configurator

Example: 904 5 R 0 A C 3

Series

- 904 Regular (side) porting
- 908 Straight (bottom) porting

Port Size

- 3 1/2" NPT ports
- 4 3/4" NPT ports
- 5 1" NPT ports
(Series 904 only)
- 7 1-1/2" NPT ports
(Series 904 only)

Style

- R Regular (side) porting,
(Series 904)
- S Straight (bottom) porting,
(Series 908)

Pressure Range

- 0 500 psi max.

Service

- A Air (pneumatic) or hydraulic fluid

Flow Pattern

- C Closed center
- O Open center (tandem center)

Options

- See Supplemental Guide for complete list

Options

- A SAE porting
- MC Spring centering

Position

- 3 Three position

Barksdale

3211 Fruitland Avenue • Los Angeles, CA 90058 • 800-835-1060 • Fax: 323-589-3463 • www.barksdale.com CONTROL PRODUCTS

See Barksdale's Standard Conditions of Sale • Specifications are subject to modification at any time • Bulletin #B0055-C • 08/15 • ©2015 • Printed in the U.S.A.