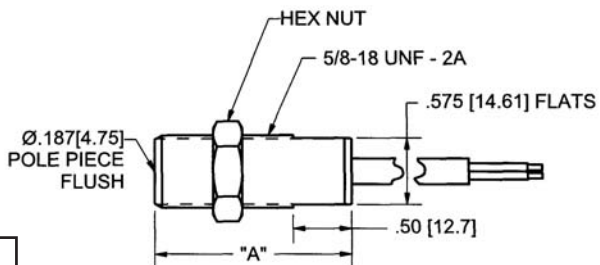
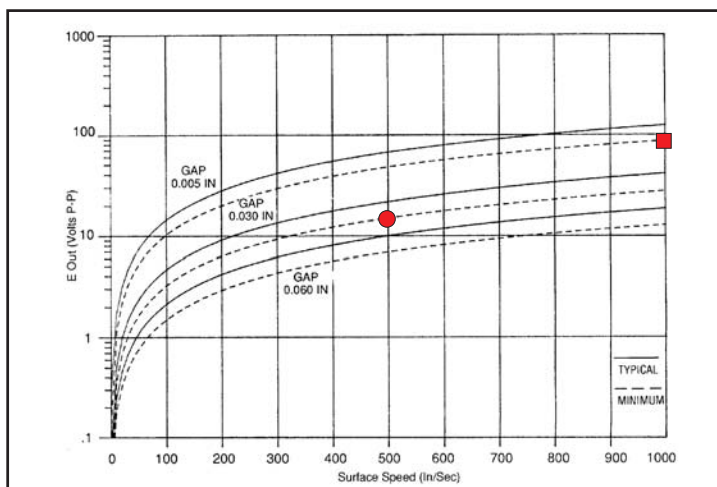


### Full Thread – Power Output

Ordering Part #	Thread Length (A)	
70085-1010-131	1.80	(45.72)
70085-1010-214	3.06	(77.72)



### Performance Curves



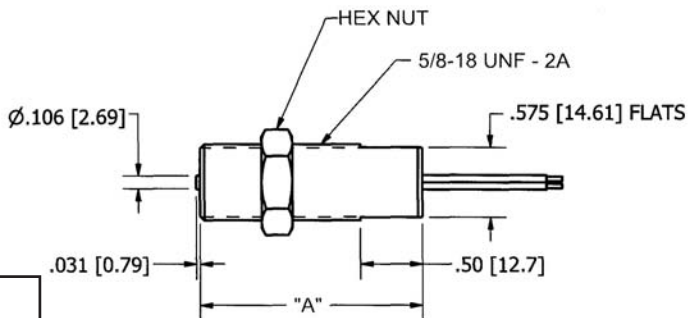
Based on 8 D.P. Gear

### Specifications:

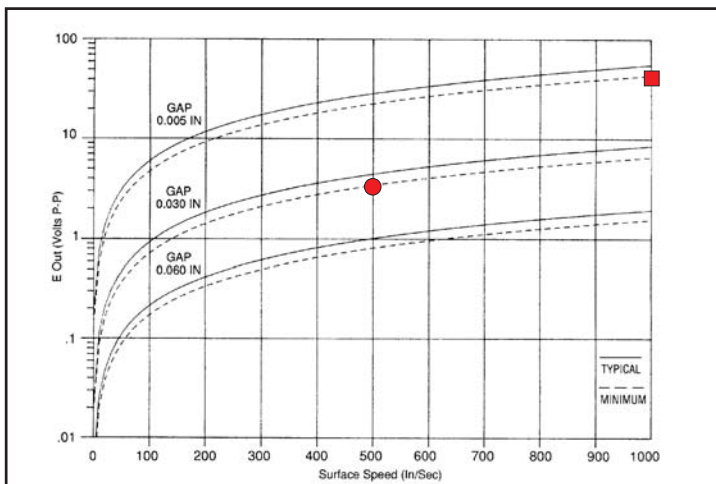
- Output Voltage (Standard): 120 V (P-P)
- Output Voltage (Guarantee Point): 15.1 V (P-P)
- DC Resistance: 250 ohms max.
- Typical Inductance: 40-60 mH ref.
- Output Polarity: White lead positive
- Operating Temperature: -55 to +107° C
- Cable Length: 10 ft (3.05 m)
- Net Weight: 5 oz. max.

### Full Thread – General Purpose

Ordering Part #	Thread Length (A)	
70085-1010-078	1.80	(45.72)
70085-1010-137	3.06	(77.72)



### Performance Curves



Based on 20 D.P. Gear

### Specifications:

- Output Voltage (Standard): 40 V (P-P)
- Output Voltage (Guarantee Point): 3.4 V (P-P)
- DC Resistance: 130 ohms max.
- Typical Inductance: 33 mH ref.
- Output Polarity: white lead positive
- Operating Temperature: -55 to +107° C
- Lead Length: -078, 12 in (30.5 cm)
- 137, 24 in (60.9 cm)
- Net Weight: 3 oz. max.

**Dimensions in inches and (mm).**