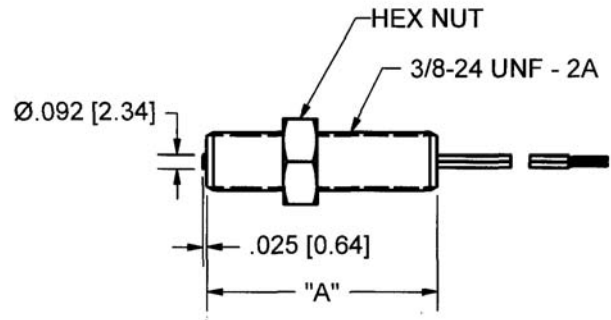


Passive Speed Sensors

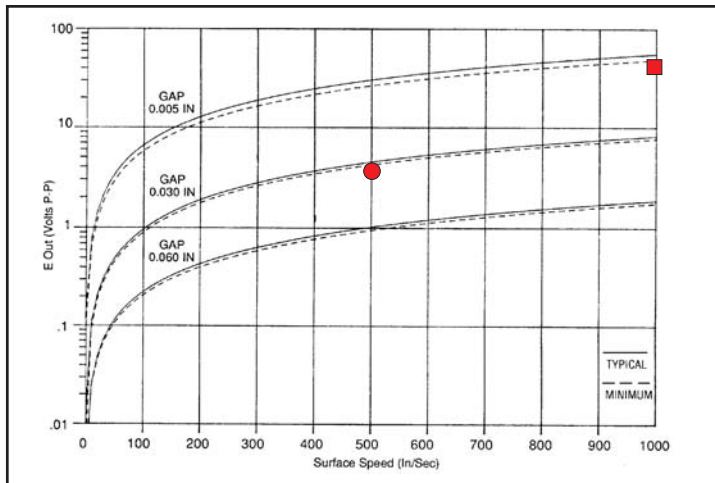
3/8 – 24 FAMILY

Full Thread – High Sensitivity

Ordering Part #	Thread Length (A)	
70085-1010-120	1.250	(31.75)
70085-8080-001	1.500	(38.10)



Performance Curves



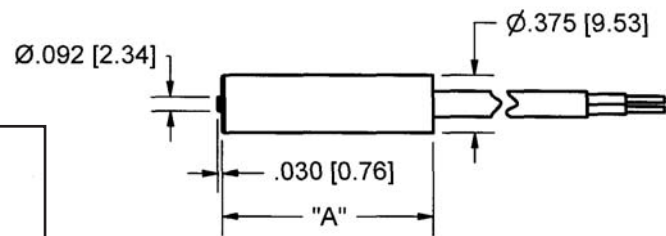
Based on 20 D.P. Gear

Specifications:

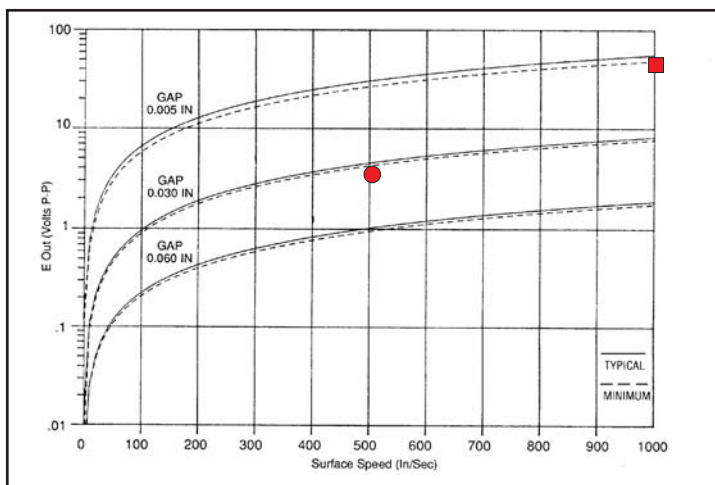
- Output Voltage (Standard): 55 V (P-P)
- Output Voltage (Guarantee Point): 4.2 V (P-P)
- DC Resistance: 960 ohms max.
- Typical Inductance: 125 mH ref.
- Output Polarity: White lead positive
- Operating Temperature: -55 to +107°C
- Lead Length: 6 in (15.2cm)
- Net Weight: 1 oz. max.

Smooth Body – High Sensitivity

Ordering Part #	Length (A)	
70085-1010-314	1.375	(34.93)
70085-8080-004	2.500	(63.50)



Performance Curves



Based on 20 D.P. Gear

Specifications:

- Output Voltage (Standard): 55 V (P-P)
- Output Voltage (Guarantee Point): 4.2 V (P-P)
- DC Resistance: 960 ohms max.
- Typical Inductance: 125 mH ref.
- Output Polarity: White lead positive
- Operating Temperature: -30 to +85°C
- Lead Length: -004, 6 in (15.2cm)
- Cable Length: -314, 10ft (3.05m)
- Net Weight: 3 oz. max.

AI-Tek Instruments, Cheshire, CT USA

Dimensions in inches and (mm).