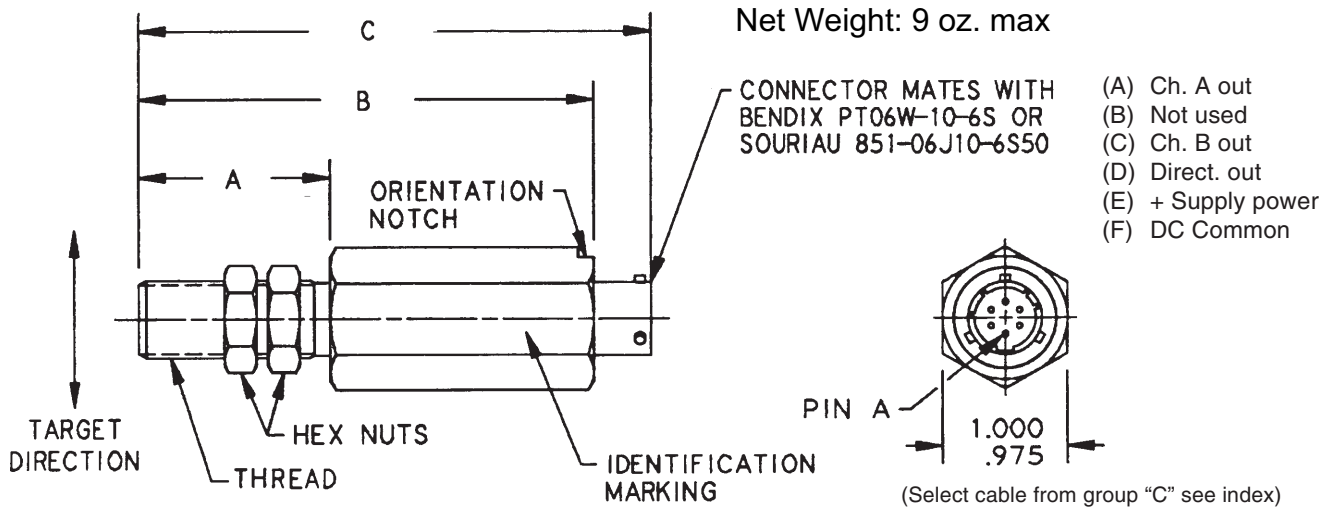


BH SERIES

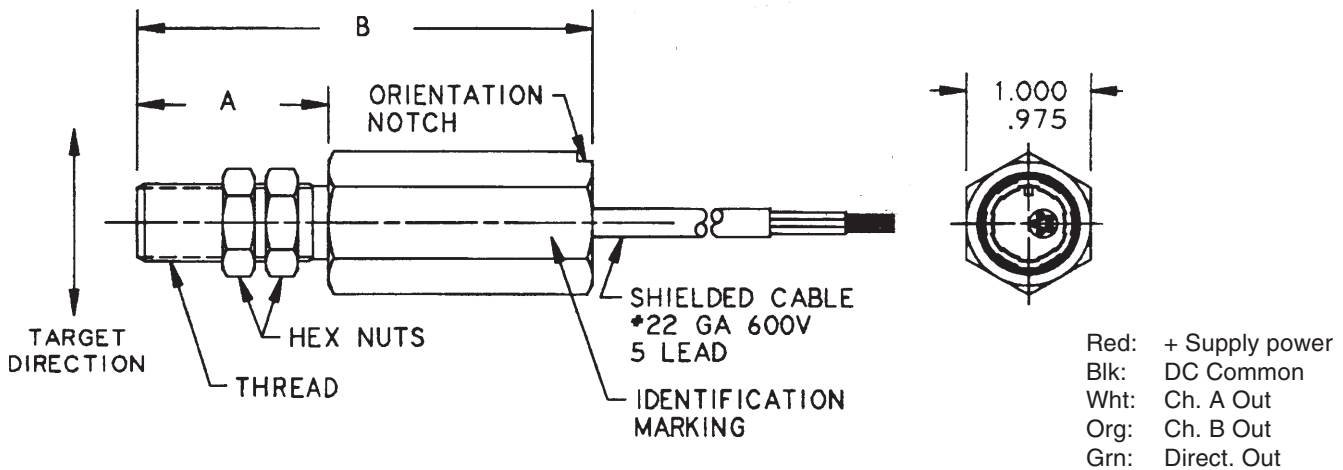
Bi-Directional, Dual Channel, Magnetic Hall Effect Speed Sensors - 5/8 and 3/4 Threads

Bi-Directional, Hex Body with 6 Pin Connector



| Part Num. | Thread | "A" Dim. | "B" Dim. | "C" Dim. (max.) | Output |
|------------|----------------|--------------|---------------|-----------------|-----------------|
| BH1512-001 | .625-18UNF-2A | 1.500 (38.1) | 3.375 (85.7) | 3.875 (98.4) | TTL Compatible |
| BH1522-001 | | | | | Supply Tracking |
| BH1512-002 | | 2.750 (69.9) | 4.625 (117.5) | 5.125 (130.2) | TTL Compatible |
| BH1522-002 | | | | | Supply Tracking |
| BH1612-001 | .750-20UNEF-2A | 1.500 (38.1) | 3.375 (85.7) | 3.875 (98.4) | TTL Compatible |
| BH1622-001 | | | | | Supply Tracking |
| BH1612-002 | | 2.750 (69.9) | 4.625 (117.5) | 5.125 (130.2) | TTL Compatible |
| BH1622-002 | | | | | Supply Tracking |

Bi-Directional, Hex Body with Cable



| Part Num. | Thread | "A" Dim. | "B" Dim. | Cable Length | Output |
|------------|----------------|--------------|---------------|----------------|-----------------|
| BH1512-013 | .625-18UNF-2A | 1.500 (38.1) | 3.375 (85.7) | 10 ft. (3.05m) | TTL Compatible |
| BH1522-013 | | | | | Supply Tracking |
| BH1512-014 | | 2.750 (69.9) | 4.625 (117.5) | | TTL Compatible |
| BH1522-014 | | | | | Supply Tracking |
| BH1612-013 | .750-20UNEF-2A | 1.500 (38.1) | 3.375 (85.7) | 10 ft. (3.05m) | TTL Compatible |
| BH1622-013 | | | | | Supply Tracking |
| BH1612-014 | | 2.750 (69.9) | 4.625 (117.5) | | TTL Compatible |
| BH1622-014 | | | | | Supply Tracking |