

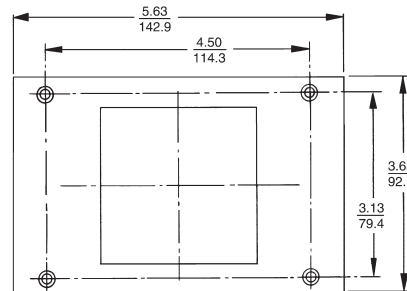
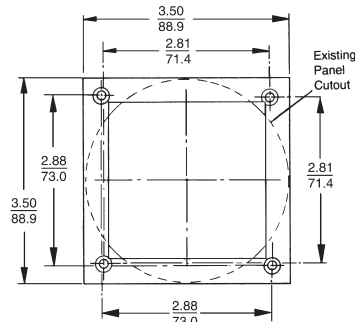
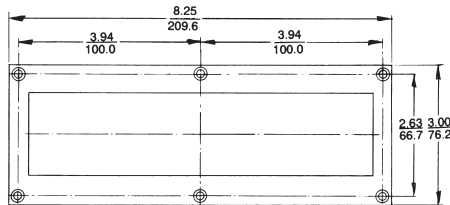
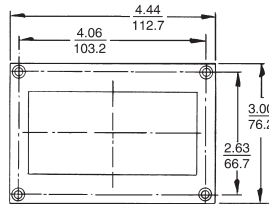
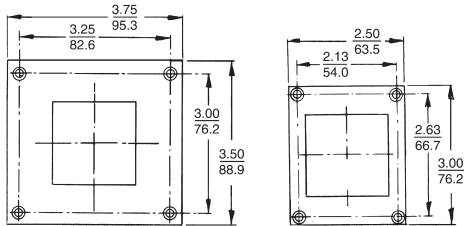
72MM² PANEL MOUNTING ADAPTER KITS: When panel cutouts already exist, these adapter kits allow easy mounting of ATC's newer 72mm² units. Two kits are available. One makes easy replacement of round panel cutouts, from early Eagle Signal and ATC products. The other allows cutouts from older Durant, Veeder Root and Red Lion products to be reduced to the compact 72mm² size.

1/16 DIN PANEL MOUNTING ADAPTER KITS: These adapter kits are designed to mount the newer 1/16 DIN (48mm²) standard housing styles. One adapter kit allows retrofit format 72mm² housing cutout to a 1/16 DIN cutout. The other three adapter kits allow easy mounting of one, two or four 1/16 DIN units, side by side.



Panel Mounting Adapter Kits

DIMENSIONS (INCHES/MILLIMETERS)



MODEL NUMBER	DESCRIPTION	FOR RETROFIT OF:
305-265-61-70	Round Cutout Retrofit Kit	Eagle Signal: CE, CD, CT, CX, HG, HQ, HP, HZ Series ATC: 305, 310, 325, 326, 335, 336 Series
376-320-01-00	Square Cutout Retrofit Kit	Red Lion: GE mini Series, Eagle Signal:RX, DG Series Veeder Root: 7910 Series Durant: President, 5881 Series
405-320-04-00	72mm ² cutout	Eagle Signal: SX Series Red Lion: Libra Series Durant: 401, 402, 403, 404, 4561, 4562 Series Veeder Root: 7915 Series
405-320-03-00	Single unit mounting kit	
405-320-06-00	Two unit mounting kit	
405-320-05-00	Four unit mounting kit	