

## Type 1005P Commercial Gauge



Shown with  
Optional Rubber Boot



### FEATURES

- Corrosion resistant ABS case
- Now available in 1½" – 3½" sizes in both lower and back connection.
- New panel mount conversion kit allows user to transform a back connect gauge into a panel-mount gauge.

The essence of Ashcroft Type 1005P gauges is attractive styling, a technically superior design, durable construction and economy.

The core of the Type 1005P gauge is the patented PowerFlex™ movement. This movement has been thoroughly tested and proven to be more resistant to shock, vibration, and pulsation than conventional movements, thus ensuring a more accurate, dependable, long-lasting gauge.

True Zero™ indication, a unique safety feature standard on these gauges, is the accurate indication of zero pressure being applied to the gauge. In addition to the increased safety benefits, this means reduced inspection and manufacturing costs for you and your customer.

For added versatility the new panel mount conversion kit, ordered as an accessory, allows the user to convert the 1005P back connect gauge to a panel mount gauge. Gauge installation and replacement is easy with the panel mount conversion kit. Simply push the gauge in to install or push the gauge out to uninstall (not possible to uninstall 1½" gauge).

### COMMONLY USED ON

Compressors, filter regulators, fluid power equipment, medical equipment, pool and spa filters, automotive diagnostic equipment, beverage dispensing equipment, industrial machinery, a variety of other applications

### PRODUCT SPECIFICATIONS

<b>Ashcroft Model No.:</b>	1005P
<b>Sizes:</b>	1½", 2", 2½", 3½"
<b>Case:</b>	Black, ABS
<b>Window:</b>	Polycarbonate
<b>Dial:</b>	Black figures on white background, aluminum
<b>Pointer:</b>	Black, aluminum
<b>Bourdon Tube:</b>	C-shape bronze (2"–3½", vacuum–600 psi and compound; 1½", vacuum–1000 psi) Helical bronze (2"–3½", 1000–6000 psi)
<b>Movement:</b>	PowerFlex™ with polyester segment
<b>Socket:</b>	Brass
<b>Restrictor:</b>	.013" orifice throttle plug in gauges 1000 psi and above
<b>Accuracy:</b>	ASME B40.1, Grade B, ±3-2-3%
<b>Connections:</b>	½ and ¾ NPT, lower and back (1½" not available in ¼ NPT)
<b>Ranges:</b>	1½" Vac-1000 psi only 2", 2½" Vac-6000 psi and compound 3½" Vac-6000 psi and compound
<b>Operating Temp.:</b>	–40°F to 150°F, –40°C to 65°C

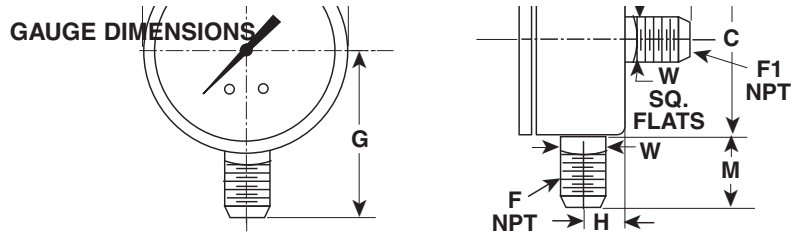
### OPTIONAL FEATURES

<b>Case:</b>	Panel mount conversion kit (XUC), ordered as an accessory kit Case color (other than black) Vent hole
<b>Pointer:</b>	Adjustable Min/max assembly
<b>Movement:</b>	Flutterguard™
<b>Socket:</b>	Non-standard length or thread Throttle plugs – 0.007", 0.013", 0.020", 0.063", Nickel plated, Teflon taped, Top or side connection
<b>Dials:</b>	Customized Non-standard ranges Receiver ranges – 0/100 linear 0/100 percent 0/10 sq. root  Aluminum (for added corrosion resistance)
<b>Others:</b>	UL 404 and 252A listing for compressed gas service Bulk packaging Black Rubber Gauge Boots for lower connect gauges

### HOW TO ORDER (Typical example)

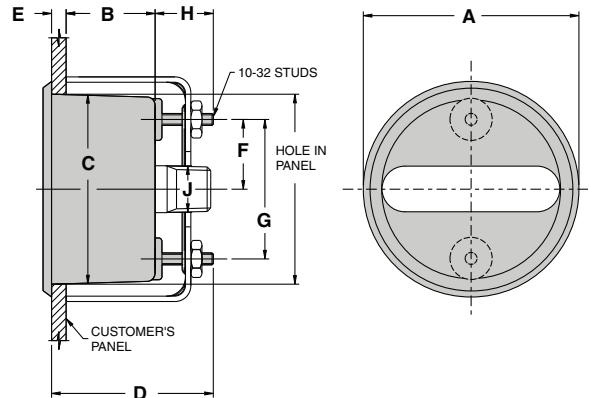
		20	W	1005	P	H	02L	XAP	400#
<b>Dial Size:</b> 2"	_____								
<b>Movement:</b> Patented PowerFlex™	_____								
<b>Case Type Number:</b> 1005P	_____								
<b>Case Material:</b> ABS	_____								
<b>Socket Material:</b> Brass	_____								
<b>Connection Size/Location:</b> ¼ NPT Lower	_____								
<b>Option:</b> Adjustable Pointer	_____								
<b>Range:</b> 0/400 psi	_____								

## Type 1005P Commercial Gauge



DIAL SIZE inches (mm)	A		B		C	F NPT	F1 NPT	G	H	K	M	W		WEIGHT OZ / KG	
	LOWER	BACK	LOWER	BACK								LOWER	BACK	LOWER	BACK
1½"	1.66 (42)	1.64 (42)	1.07 (27)	1.01 (26)	1.60 (41)	½	½	1.41 (36)	0.38 (10)	0.62 (16)	0.62 (16)	0.56 (14)	0.44 (11)	2.963 oz 0.084 kg	2.081 oz 0.059 kg
2"	2.11 (54)	2.11 (54)	1.07 (27)	1.05 (27)	2.05 (52)	½ or ¼	½ or ¼	1.85 (47)	0.38 (10)	0.85 (22)	0.82 (21)	0.56 (14)	0.56 (14)	2.998 oz 0.085 kg	2.681 oz 0.076 kg
2½"	2.74 (70)	2.74 (70)	1.12 (28)	1.14 (29)	2.67 (68)	½ or ¼	½ or ¼	2.18 (55)	0.38 (10)	0.78 (20)	0.83 (21)	0.56 (14)	0.56 (14)	3.951 oz 0.112 kg	3.951 oz 0.112 kg
3½"	3.70 (94)	3.70 (94)	1.14 (29)	1.28 (32)	3.62 (92)	½ or ¼	½ or ¼	2.72 (69)	0.47 (12)	0.72 (18)	0.92 (23)	0.56 (14)	0.56 (14)	6.138 oz 0.174 kg	5.115 oz 0.145 kg

### PANEL MOUNT SLEEVE DIMENSIONS (ordered as an accessory kit)



ABS CASE PANEL MOUNT SLEEVE										
INCHES (MM)	A	B	C	D	E	F	G	H	J	Conn. NPT
1½"	2.05 (52)	1.04 (27)	1.75 (45)	1.85 (47)	0.13 (3)	.60 (14)	1.19 (30)	0.68 (18)	⅞ sq. (11)	½
2"	2.52 (64)	1.04 (27)	2.23 (57)	1.89 (48)	0.17 (4)	.82 (21)	1.63 (41)	0.68 (18)	⅞ sq. (14)	½ or ¼
2½"	3.17 (81)	1.13 (29)	2.84 (72)	1.98 (50)	0.17 (4)	1.13 (29)	2.26 (57)	0.68 (18)	⅞ sq. (14)	½ or ¼
3½"	4.08 (104)	1.23 (31)	3.80 (96)	2.11 (54)	0.20 (5)	1.61 (41)	3.22 (82)	0.68 (18)	⅞ sq. (14)	½ or ¼

PANEL CUT OUT		
INCHES (MM)	Min.	Max.
1½"	1.850 (47)	1.968 (50)
2"	2.330 (59)	2.440 (62)
2½"	2.920 (74)	3.075 (78)
3½"	3.898 (99)	4.016 (102)