

Type 1379 Duragauge® Pressure Gauge Available With PLUS!™ Performance Option



- 4½" full-size Bourdon tube
- Patented Duratube™ with as welded tube construction controls stress for longer life
- "Round Cap Tip" construction lowers stresses for longer life
- Micrometer adjustable pointer.
- Exclusive Teflon coated 400 series stainless steel rotary movement for longer life
- PLUS!™ Performance Option:
 - Liquid-filled performance in a dry gauge
 - Fights vibration and pulsations without liquid-filled headaches
 - Order as option XLL
- Epoxy-coated system for superior corrosion resistance

Type 1379 Duragauge® pressure gauge is offered in 4½", 6" and 8½" dial sizes. This rugged, solid-front aluminum case gauge is tops in its field. It is available as a weather-proof hermetically sealed or liquid-filled version in 4½" and 6" sizes in pressures to 30,000 psi. Like the 1279, it can be easily field converted from the weatherproof version to either the sealed or liquid-filled version using an optional kit. Ranges 50,000, 80,000 and 100,000 psi are available in 6" hermetically sealed and liquid-filled cases. All cases are coated with black epoxy which will withstand most environmental conditions.

PRODUCT SPECIFICATIONS

Model Number:	1379
Accuracy:	½% full scale (Grade 2A, ASME B40.100)
Ranges:	Vacuum – 100,000 psi*
Dial Size:	4½", 6", 8½" diameter
Case Material:	Black, aluminum, solid front
Weather Protection:	Dry Case: IP54 Liquid filled or hermetically sealed case: IP65
Ring:	
4½" & 6" Dial:	Threaded reinforced black polypropylene
8½" Dial:	Hinged, aluminum, black epoxy coated
Window:	Glass
Dial:	Aluminum, white background, black pressure scale
Bourdon Tube and Socket:	C510 Phos. bronze/brass (A) ⁽¹⁾ 316L SS/Steel (R) ⁽²⁾ 316L SS/316L SS (S) ⁽²⁾ K Monel/ Monel (P) ⁽²⁾ Inconel 718 (WW) ⁽²⁾⁽³⁾
Pointer:	Micrometer adjustable
Movement:	Rotary, 400 SS, Teflon® coated pinion gear and segment
Conn. Size:	¼", ½" NPT, ¼" high pressure for gauges 20,000 psi and above
Conn. Location:	Lower or back

PRODUCT OPTIONS

Fill:	L-Glycerin-Standard XGV-Silicone-Optional XGX-Halocarbon-Optional
--------------	---

PLUS!™ Performance: XLL

Hermetically Sealed, IP65: H

Flush Mounting Ring: X56

Receiver Gauge: XPR

Shatter Proof Glass Window: XSG

Acrylic Window: XPD

Red Set Hand: XSH

Max. Pointer: XEP

⁽¹⁾ Joints silver brazed, ⁽²⁾ Joints welded, ⁽³⁾ See Bulletin DU-5 1379 HP

TEMPERATURE LIMITS

	Ambient	Process	Storage
Dry	-20/200°F ⁽¹⁾ (-29/93°C)	-20/250°F ⁽¹⁾ (-29/121°C)	-40/250°F (-40/121°C)
LF (glycerin)	20/150°F (7/66°C)	20/200°F (7/93°C)	0/150°F (-18/66°C)
(silicone)	-40/150°F (-40/66°C)	-40/200°F (-40/93°C)	-40/150°F (-40/66°C)
(halocarbon)	-40/150°F (-40/66°C)	-40/200°F (-40/93°C)	-40/150°F (-40/66°C)

⁽¹⁾ Available for temperatures below -20°F, see Product Information page ASH/PI-21B for details.

Note: Other than discoloration of the dial and hardening of the gasketing that may occur as ambient or process temperatures exceeds 150°F, non-liquid-filled gauges with standard glass windows, can withstand continuous operating temperatures up to 250°F (121°C). Liquid-filled gauges can withstand 200°F (93°C) but glycerin fill and acrylic window will tend to yellow. Accuracy at temperatures above or below the reference ambient temperature of 68°F (20°C) will be affected by approximately .4% per 25°F. Gauges with welded joints will withstand 750°F (450°F (232°C) with silver brazed joints) for short times without rupture, although other parts of the gauge will be destroyed and calibration will be lost. For continuous use and for process or ambient temperatures above 250°F (121°C), a diaphragm seal or capillary or siphon is recommended.

STANDARD RANGE TABLE**

Pressure – psi		
Range	Figure interval	Minor Graduation
0/15	1	0.1
0/30	5	0.2
0/60	5	0.5
0/100	10	1
0/160	20	2
0/200	20	2
0/300	50	2
0/400	50	5
0/600	50	5
0/800	100	10
0/1000	100	10
0/1500	200	20
0/2000	200	20
0/3000	500	20
0/5000	500	50
0/6000	500	50
0/10,000	1000	100
0/20,000	2000	200
0/30,000	5000	200
0/50,000***	5000	500
0/80,000	10,000	1000
0/100,000	10,000	1000

*50,000, 80,000, & 100,000 psi ranges available with 6" dial size only

**Full standard and metric equivalent range table available on our web site.

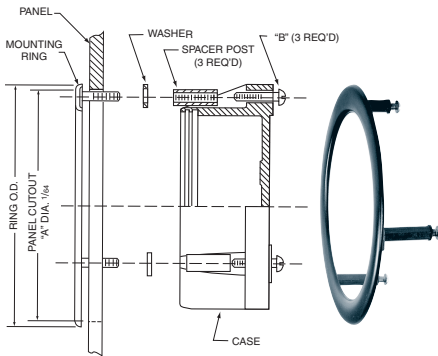
***See Bulletin DU-5 1379 HP

Type 1379 Duragauge® Pressure Gauge Available With PLUS!™ Performance Option

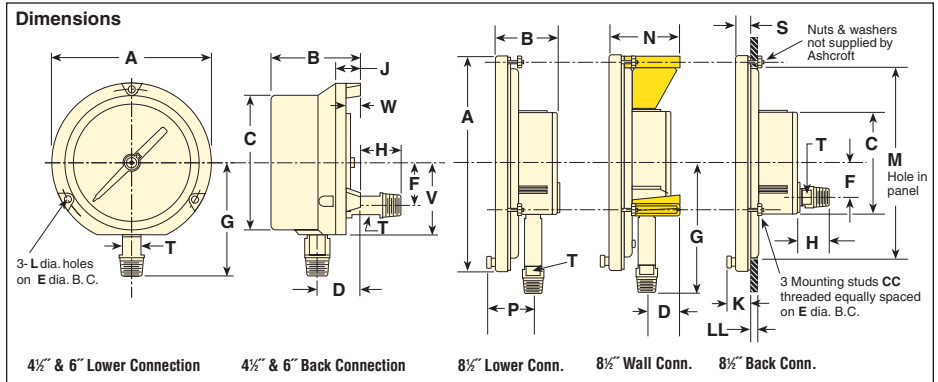
Compound				
Range	Figure Interval		Minor Grads	
	in Hg	psi	in Hg	psi
30" Hg/15 psi	5	3	0.5	0.2
30" Hg/30 psi	10	5	1	0.5
30" Hg/60 psi	10	10	1	1
30" Hg/100 psi	10	10	2	1
30" Hg/150 psi	10	20	5	2
30" Hg/200 psi	30	20	5	2
30" Hg/300 psi	30	50	5	2

Vacuum		
Range	Figure Interval	Minor Grads
30/0 in. Hg	5 in	0.2 in
34/0 ft H ₂ O	5 ft	0.5 ft

TYPE 1278M SERIES FLUSH MOUNTING RING
Used to flush mount gauge case. Standard finish is black; optional polished stainless steel finish is available.



GAUGE SIZE	RING O.D.	"A" DIA.	"B" Size of 3 Screws	"C" Size of Washers	Spacer
4½	6 (152)	5½ (148)	#10-24 x 1½	7/16 x 17/64 x 5/8	1
6	7¾ (197)	7 (178)	#¾-20 x 1	17/64 x 1/2 x 1/16	1 13/32



Dial Size Inches	A	B	C	D	E	F	G	H	J	K	L	M	P	S	T	V	CC	LL	Wgt (lbs)
4½	5 13/16 (148)	3 3/8 (86)	4 7/8 (124)	1 5/8 (41)	5 5/8 (137)	1 1/2 (42)	3 19/16 (100)	7/8 (20)	1 1/16 (27)	—	.218 (6)	—	2 1/8 (54)	—	5/8 (16)	2 5/8 (67)	—	—	25 (Dry) 3.5 (LF)
6	7 7/16 (192)	3 1/2 (89)	6 5/8 (162)	1 5/8 (41)	7 (178)	1 1/2 (42)	4 1/2 (114)	7/8 (20)	1 1/16 (27)	—	.218 (6)	—	2 1/8 (54)	—	5/8 (16)	2 5/8 (67)	—	1/4-1/2 (3)(13)	30 (Dry) 4.0 (LF)
8½	10 1/16 (256)	2 1/8 (73)	4 3/4 (121)	1 1/16 (27)	9 5/8 (244)	1 5/8 (41)	6 (152)	1 3/8 (35)	—	1 1/16 (27)	—	9 (228)	—	1 1/16 (17)	—	—	#10-24	—	45 (Dry) 5.5 (LF)

Order Coding Example

45	1379	S	S	04	L	XEPNH	100	#
----	------	---	---	----	---	-------	-----	---

SIZE	TYPE	SYSTEM (TUBE & SOCKET)	CASE DESIGN SOLID FRONT	PROCESS CONNECTION SIZE	CONNECTION LOCATION	OPTIONS (X VARIATIONS) ⁽¹⁾	RANGE	ENGINEERING UNITS ⁽¹⁾
(45) 4½	1379	(A) Bronze tube, Brass socket ⁽¹⁾	(S) Dry (IP54)	(02) 14 NPT male ⁽¹⁾	(B) Back	(GV) Silicone case fill	See website for most common ranges offered	(#) PSI
(60) 6		(P) K-Monel tube, Monel 400 socket ⁽²⁾	(SH) Dry, Hermetically Sealed, Field Fillable (IP65)	(04) 12 NPT male ⁽¹⁾	(D) Side (3:00)	(GX) Halocarbon case fill		(BR) Bar
(85) 8½		(R) 316L SS tube, steel socket	(SL) Liquid filled (glycerin standard) (IP65)	(09) 9/16-18 UNF-2B Aminco (standard for high pressure >20,000psi)	(E) Side (9:00)	(NH) St. St. Wired Tag		(KG) Kilograms/CM2
		(S) 316L ⁽²⁾		⁽¹⁾ Max pressure 20,000psi	(L) Lower	(TS) Throttle screw ⁽²⁾		(KP) Kilopascal
		⁽¹⁾ Max pressure 1000psi			(T) Top (12:00)	(6B) Oxygen service		(IMV) Inches of Mercury Vacuum
		⁽²⁾ Max pressure 30,000psi				(PD) Acrylic window		⁽¹⁾ See website for more units of measure
						(SG) Safety glass		
						(EP) Maximum pointer, adjustable		
						(SH) Red set hand, stationary		
						(LL) PLUS! Performance		
						(56) Flush mounting ring		
						(C4) Individual calibration chart		
						⁽¹⁾ Others on request		
						⁽²⁾ Standard with hermetically sealed or liquid filled gauge		