

Data Sheet

1008S 40 mm & 50 mm Stainless Steel Pressure Gauge

FEATURES

- FlutterGuard™ reduces movement wear and pointer flutter
- Dry or liquid filled versions
- All welded stainless steel construction

TYPICAL USES

- Pumps and compressors
- OEM equipment
- Hydraulic tools
- Outdoor installation
- Control valves

SPECIFICATIONS

Accuracy:	±3-2-3% of span (ASME, Grade B)
Dial Sizes:	40, 50 mm
Ranges:	40 mm: Vacuum, compound to 15,000 psi 50 mm: Vacuum, compound to 15,000 psi
Process Connection Location:	Lower, Center Back
Process Connection Size:	1/8 NPT, 1/4 NPT, SAE-4 7/16 - 20, 1/2 BSP
Movement:	304 Stainless steel, gear type
Mounting Hardware:	U-clamp, front flange
Dial:	Black figures on white background, aluminum
Pointer:	Black, aluminum
Weather Protection:	NEMA 4/IP66
Temperature Effects:	±0.04% of span per °C change; ref. temp. 20 °C ±0.4% of span per 18 °F change; ref. temp. 68 °F
Overpressure/Proof Pressure:	1.25 X Range
Dampening:	FlutterGuard™ and throttle plugs
Approvals:	CRN, RoHS, CE/UKCA

MIN/MAX TEMPERATURE LIMITS

Version	Ambient	Process	Storage
Dry	-40 °F to 200 °F (-40 °C to 93 °C)	-40 °F to 250 °F (-40 °C to 121 °C)	-40 °F to 250 °F (-40 °C to 121 °C)
Glycerin Fill	20 °F to 150 °F (-7 °C to 66 °C)	20 °F to 200 °F (-7 °C to 66 °C)	0 °F to 150 °F (-18 °C to 66 °C)
Silicone Fill	-40 °F to 150 °F (-40 °C to 66 °C)	-40 °F to 200 °F (-40 °C to 93 °C)	-40 °F to 150 °F (-40 °C to 66 °C)
Halocarbon® Fill	-40 °F to 150 °F (-40 °C to 66 °C)	-40 °F to 200 °F (-40 °C to 93 °C)	-40 °F to 150 °F (-40 °C to 66 °C)



1008S
40 mm, 50 mm dial size
Lower connection

1008S
40 mm, 50 mm dial size
Center back connection
with front flange



1008S
40 mm, 50 mm dial size
Center back connection
with U-clamp



KEY BENEFITS

- True Zero™ reduces reading errors by using a “zero box” instead of conventional dial pins
- Designed for limited space installations
- For severe outdoor and corrosive applications

WETTED COMPONENTS

Bourdon Tube	Process Connection Material	Joints
316L SS	316 SS	Welded

NON-WETTED COMPONENTS

Case	Ring	Window
304 SS	316 SS crimped	Polycarbonate, glass, shatterproof glass

Data Sheet

1008S 40 mm & 50 mm Stainless Steel Pressure Gauge

ORDERING CODE	Example:	501008	S	L	02	L	XC4	100#
Dial Size/Model Code								
401008 - 40 mm (1½") dial								
501008 - 50 mm (2") dial								
System								
S - 316L Stainless steel tube/316 Stainless steel process connection								
Case Fill								
Blank - Dry liquid fillable								
L - Liquid filled case (glycerin standard)								
Process Connection Size								
01 - ½ NPT Male								
02 - ¼ NPT Male (N/A on 40 mm Lower Gauge)								
RW - SAE-4 7/16-20 straight thread (with washer, O-ring and nut)								
07 - ½ BSP (tapered)								
Process Connection Location								
L - Lower mount connection								
B - Center back connection								
T - Top connection								
D - Side connection (3 o'clock)								
E - Side connection (9 o'clock)								
Options (if choosing an option(s) must include an "X")								
Dampening								
GV - Silicone case fill								
GX - Halocarbon® case fill								
TU - Stainless steel throttle plug (.013 orifice) (Standard with liquid filled and FlutterGuard™ 30 psi and above)								
ZY - FlutterGuard™								
Case/Ring								
FF - Front flange								
LJ - Liquid fillable dry gauge (throttle plug supplied)								
UC - U-clamp								
YW - 316L Stainless steel case and ring								
Windows								
RG - Glass (not available on liquid fill)								
SG - Safety glass								
Other								
6B - Cleaned for oxygen service (GX option required for liquid fill)								
C4 - Traceable calibration certificate								
NH - Stainless steel tag wired to case								
NN - Paper tag								
Ranges (see range table on page 38 for all standard ranges)								
Single Scale								
100# - 100 psi								

Data Sheet

1008S 40 mm & 50 mm Stainless Steel Pressure Gauge

SINGLE SCALE					
	psi	bar	kPa	Mpa	kg/cm ²
Vacuum	30IMV	N1BR	N100KP	NO.1MP	N1KG
	-	N1/0.6BR	N100/60KP	NO.1/0.6MP	N1/0.6KG
Compound	30IMV&15#	-	-	-	-
	-	N1/1.5BR	N100/150KP	NO.1/15MP	N1/1.5KG
	30IMV&30#	-	-	-	-
	-	N1/3BR	N100/300KP	NO.1/3MP	N1/3KG
	30IMV&60#	-	-	-	-
	-	N1/5BR	N100/&500KP	NO.1/5MP	N1/5KG
	-	-	-	-	-
	30IMV&100#	-	-	-	-
	-	N1/9BR	N100/900KP	NO.1/9MP	N1/9KG
	15#	1BR	100KP	0.1MP	1KG
-	1.6BR	160KP	0.16MP	1.6KG	
30#	-	-	-	-	
-	2.5BR	250KP	0.25MP	2.5KG	
60#	4BR	400KP	0.4MP	4KG	
-	6BR	600KP	0.6MP	6KG	
100#	-	-	-	-	
-	10BR	1000KP	1MP	10KG	
160#	-	-	-	-	
200#	-	-	-	-	
-	16BR	1600KP	1.6MP	16KG	
300#	-	-	-	-	
-	25BR	2500KP	2.5MP	25KG	
400#	-	-	-	-	
600#	40BR	4000KP	4MP	40KG	
800#	-	-	-	-	
-	60BR	6000KP	6MP	60KG	
1000#	-	-	-	-	
1500#	100BR	10000KP	10MP	100KG	
2000#	-	-	-	-	
-	160BR	16000KP	16MP	160KG	
3000#	-	-	-	-	
-	250BR	25000KP	25MP	250KG	
4000#	-	-	-	-	
5000#	-	-	-	-	
6000#	400BR	40000KP	40MP	400KG	
-	600BR	60000KP	60MP	600KG	
8000#	-	-	-	-	
10000#	-	-	-	-	
15000#	1000BR	100000KP	100MP	1000KG	

Data Sheet

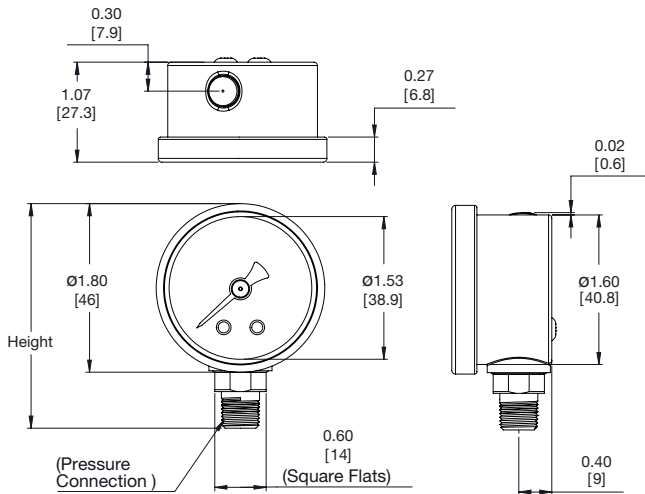
1008S 40 mm & 50 mm Stainless Steel Pressure Gauge

DIMENSIONS in [] are millimeters

For reference only, consult Ashcroft for specific dimensional drawings

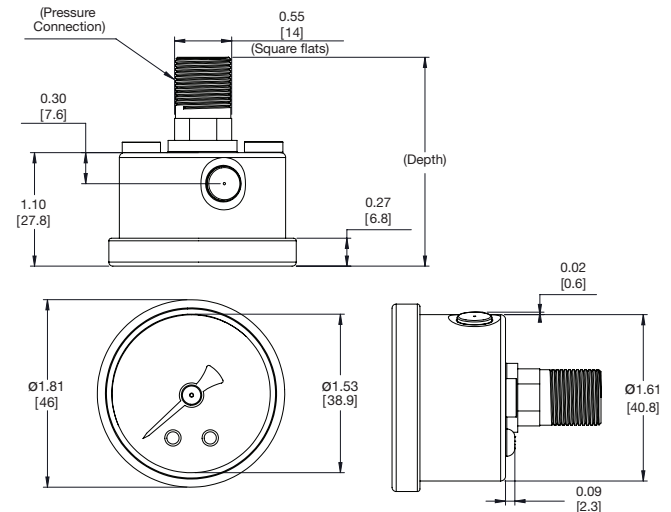
40 mm 1008S 01L

Connection Code	Pressure Connection	Height in.
01	1/8" NPT	2.40 [61.2]



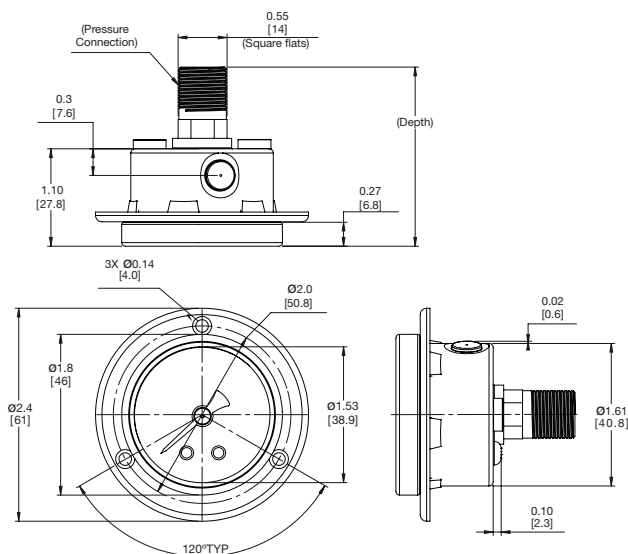
40 mm 1008S 01B

Connection Code	Pressure Connection	Height in.
01	1/8" NPT	1.82 [46.2]
02	1/4" NPT	2.02 [51.2]



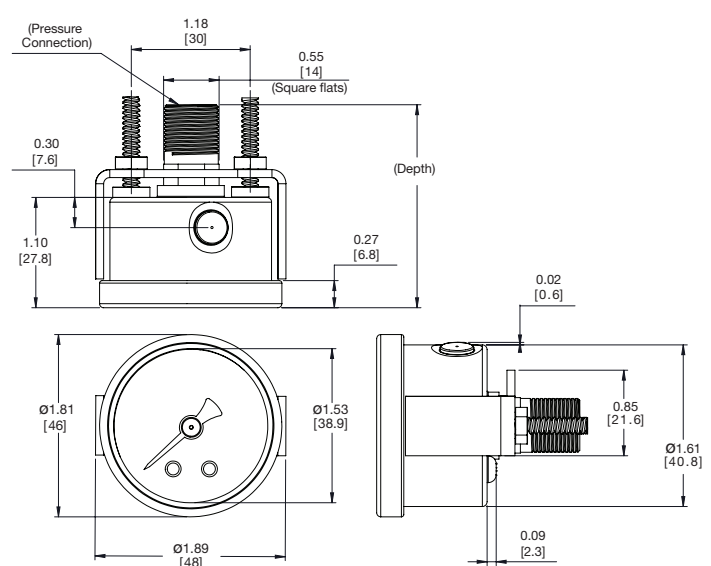
40 mm 1008S XFF

Connection Code	Pressure Connection	Height in.
01	1/8" NPT	1.82 [46.2]
02	1/4" NPT	2.02 [51.2]



40 mm 1008S 01B XUC

Connection Code	Pressure Connection	Height in.
01	1/8" NPT	1.82 [46.2]
02	1/4" NPT	2.02 [51.2]



Panel Cutout Dimensions for 40 mm Gauge

40 mm (1 1/2")	Min. Cutout Dia.	Max. Cutout Dia.
XUC	1.65" [42]	1.69" [43]
XFF	1.73" [44]	1.77" [45]

All specifications are subject to change without notice. All sales subject to standard terms and conditions.

Ashcroft®, FlutterGuard™, True Zero™, Trust the Shield® are trademarks of Ashcroft Inc. The following non-Ashcroft trademarks are the property of their respective owners: Halocarbon®. For more information, see [Ashcroft Brands & Trademarks](#)

©2023 Ashcroft Inc. 1008_40-50_gauge_ds_Rev0_06-28-23

ashcroft.com | 1.800.328.8258 | [Contact Us](#)

Data Sheet

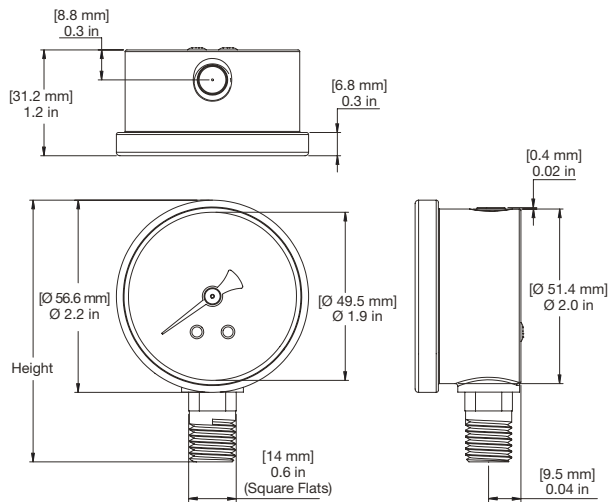
1008S 40 mm & 50 mm Stainless Steel Pressure Gauge

DIMENSIONS in [] are millimeters

For reference only, consult Ashcroft for specific dimensional drawings

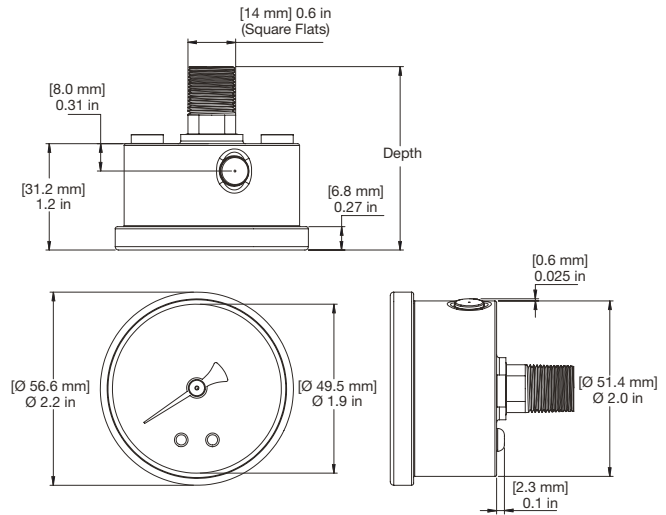
50 mm 1008S 02L

Connection Code	Pressure Connection	Height in.
01	1/8 NPT	2.83 [72]
02	1/4 NPT	3.0 [77]



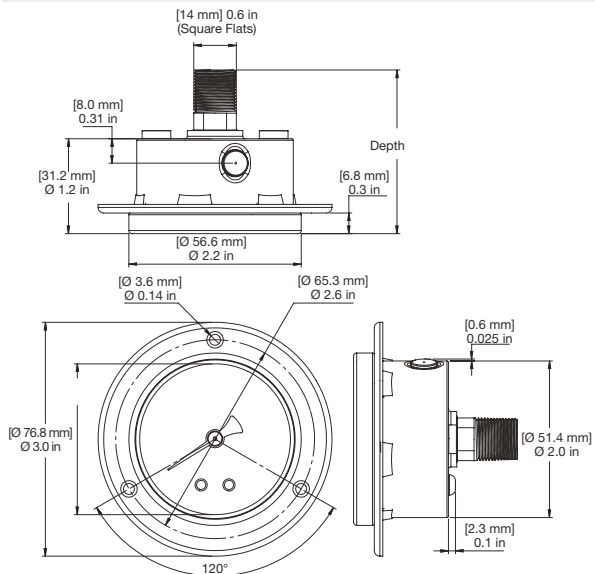
50 mm 1008S 02B

Connection Code	Pressure Connection	Height in.
01	1/8 NPT	1.92 [48.7]
02	1/4 NPT	2.1 [53.7]



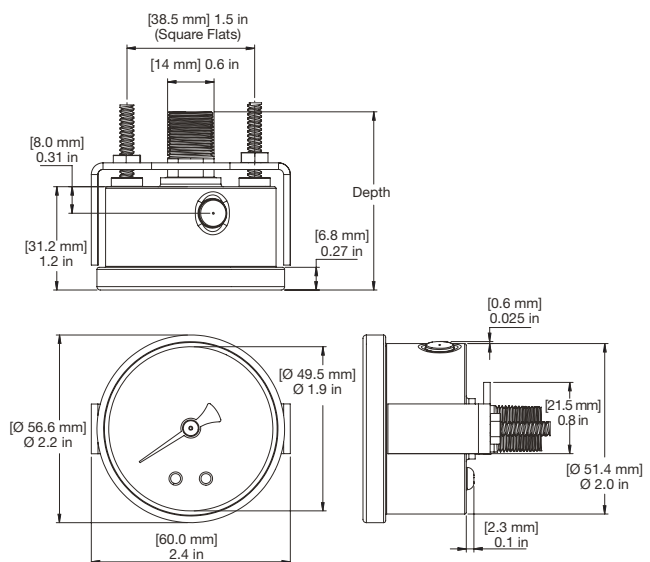
50 mm 1008S 02B XFF

Connection Code	Pressure Connection	Height in.
01	1/8 NPT	1.92 [48.7]
02	1/4 NPT	2.1 [53.7]



50 mm 1008S 02B XUC

Connection Code	Pressure Connection	Height in.
01	1/8 NPT	1.92 [48.7]
02	1/4 NPT	2.1 [53.7]



Panel Cutout Dimensions for 50 mm Gauge

50 mm (2")	Min. Cutout Dia.	Max. Cutout Dia.
XUC	2.07" [52.5]	2.11" [53.5]
XFF	2.15 [54.5]	2.19 [55.5]

All specifications are subject to change without notice. All sales subject to standard terms and conditions.

Ashcroft®, FlutterGuard™, True Zero™, Trust the Shield® are trademarks of Ashcroft Inc. The following non-Ashcroft trademarks are the property of their respective owners: Halocarbon®. For more information, see [Ashcroft Brands & Trademarks](#)

©2023 Ashcroft Inc. 1008_40-50_gauge_ds_Rev0_06-28-23

ashcroft.com | 1.800.328.8258 | [Contact Us](#)