

Type 1009SW Stainless Case Gauge with Stainless Steel System



FEATURES

- Patented PowerFlex™ movement
- All stainless steel welded construction
- True Zero™ pointer indication
- NEW ventable plug
- NEW patent pending through-dial calibration
- NEW MSL helium leak tested to 1×10^{-6} ATM ^{-cc/sec}
- Meets ASME B40.100 standard
- RoHS Compliant
- CRN Approved
- 5 year limited warranty

Ashcroft is pleased to reintroduce the 1009SW Duralife® pressure gauge. This gauge has been upgraded with many new features outlined above while maintaining the tried and true performance and quality you have come to expect.

Duralife 1009SW gauges provide significant features and benefits. New features include a ventable plug that can be sealed or vented depending on your environment and a patent pending through-dial recalibration that reduces recalibration time.

The combination of features including the patented PowerFlex™ movement and optional PLUS!™ Performance dampening system in the 1009SW is the finest gauge technology for vibration, shock and pulsation applications. Available in pressure ranges from vacuum to 15,000 psi, including compound and metric ranges.

PRODUCT SPECIFICATIONS

Ashcroft Type No.:	1009SW
Sizes:	2½", 3½"
Case:	304SS
Ring:	304SS polished bayonet
Window:	Polycarbonate
Dial:	Black figures on white background, aluminum
Pointer:	Friction adjust, black, aluminum
Bourdon Tube:	316L stainless steel C-Shaped (Vacuum-600 psi and compound) Helical (1000-15,000 psi)
Socket:	316L Stainless Steel
Movement:	300 series stainless steel, PowerFlex™, polyester segment, overload/underload stops
Connections:	½ and ¾ NPT, lower or lower back, ½ NPT lower (3½" only).
Ranges:	Vac-15,000 psi and compound
Accuracy:	1% full scale. ASME Grade 1A ⁽¹⁾
Fill Plug:	Ventable
Protection:	Nema 4X / IP65 plug sealed Nema 3 / IP54 plug vented
Ambient Temperature	-40°F to 200°F dry
Limitations:	+20°F to 150°F glycerin filled -40°F to 150°F silicone filled (based on standard polycarbonate window)
OPTIONAL FEATURES	
Liquid fill:	Glycerin, Silicone, Halocarbon (includes throttle plug)
Dampening:	PLUS!™ Performance (LL) (includes throttle plug)
Window:	Safety Glass (SG)
Pointer:	Micrometer (MP)
Connections:	Metric and SAE on request
Mounting:	U-clamp (UC), Front flange (FF), Back flange (FW)
Dials:	Receiver ranges, refrigerant ranges. Custom dials

⁽¹⁾When these gauges are liquid filled the total gauge accuracy may be as much as 1.5%

HOW TO ORDER (Typical example)

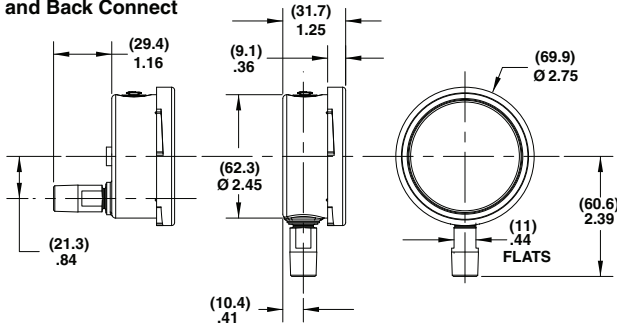
	35	1009	SW (L)	02L	XXX	100#
Dial Size: 2½" (25), 3½" (35)	_____	_____	_____	_____	_____	_____
Case Type: 1009	_____	_____	_____	_____	_____	_____
Tube and Socket Material: 316L SS	_____	_____	_____	_____	_____	_____
Liquid Filled: (glycerin) leave blank if dry	_____	_____	_____	_____	_____	_____
Connection Size: ½ (01), ¾ (02), 1" (04) 3½" only	_____	_____	_____	_____	_____	_____
Connection Location: Lower (L), Lower Back (B)	_____	_____	_____	_____	_____	_____
Options:	_____	_____	_____	_____	_____	_____
Range: 0/100 psi	_____	_____	_____	_____	_____	_____

Type 1009SW Stainless Case Gauge with Stainless Steel System

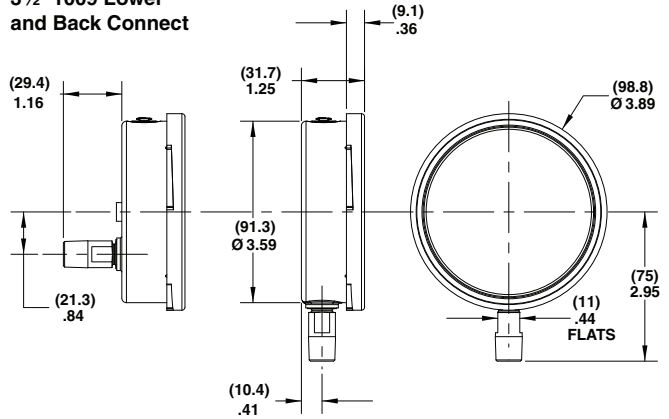


DIMENSIONS

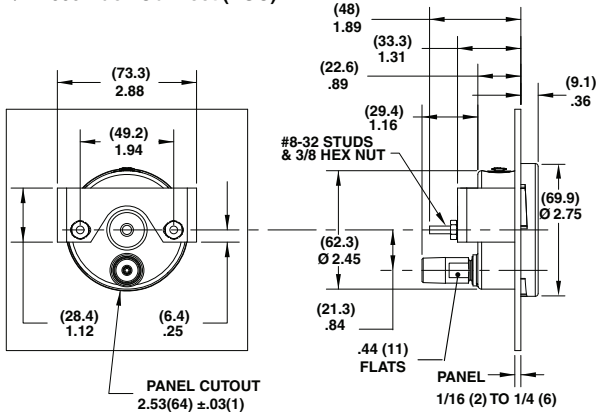
2 1/2" 1009 Lower and Back Connect



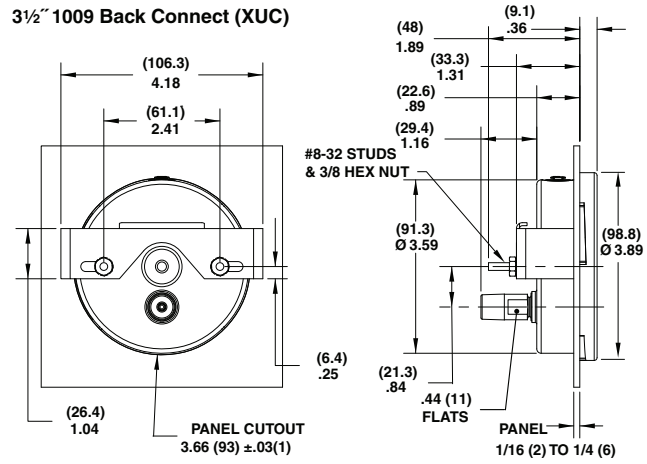
3 1/2" 1009 Lower and Back Connect



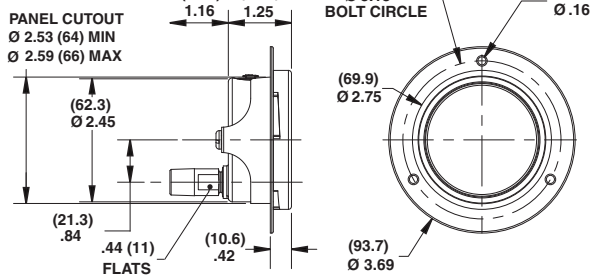
2 1/2" 1009 Back Connect (XUC)



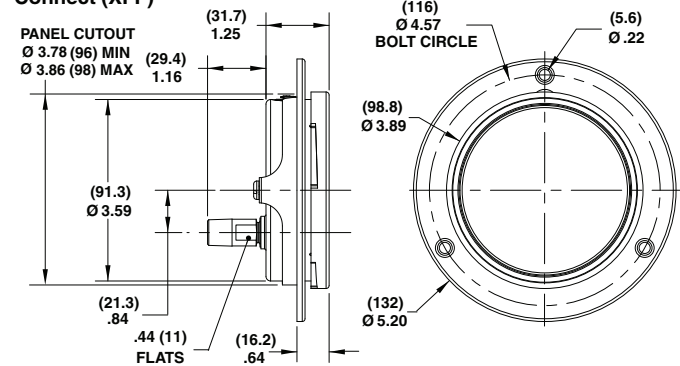
3 1/2" 1009 Back Connect (XUC)



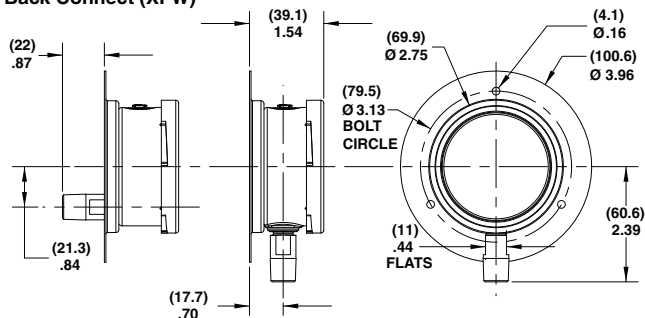
2 1/2" 1009 Back Connect (XFF)



3 1/2" 1009 Back Connect (XFF)



2 1/2" 1009 Lower and Back Connect (XFW)



3 1/2" 1009 Lower and Back Connect (XFW)

