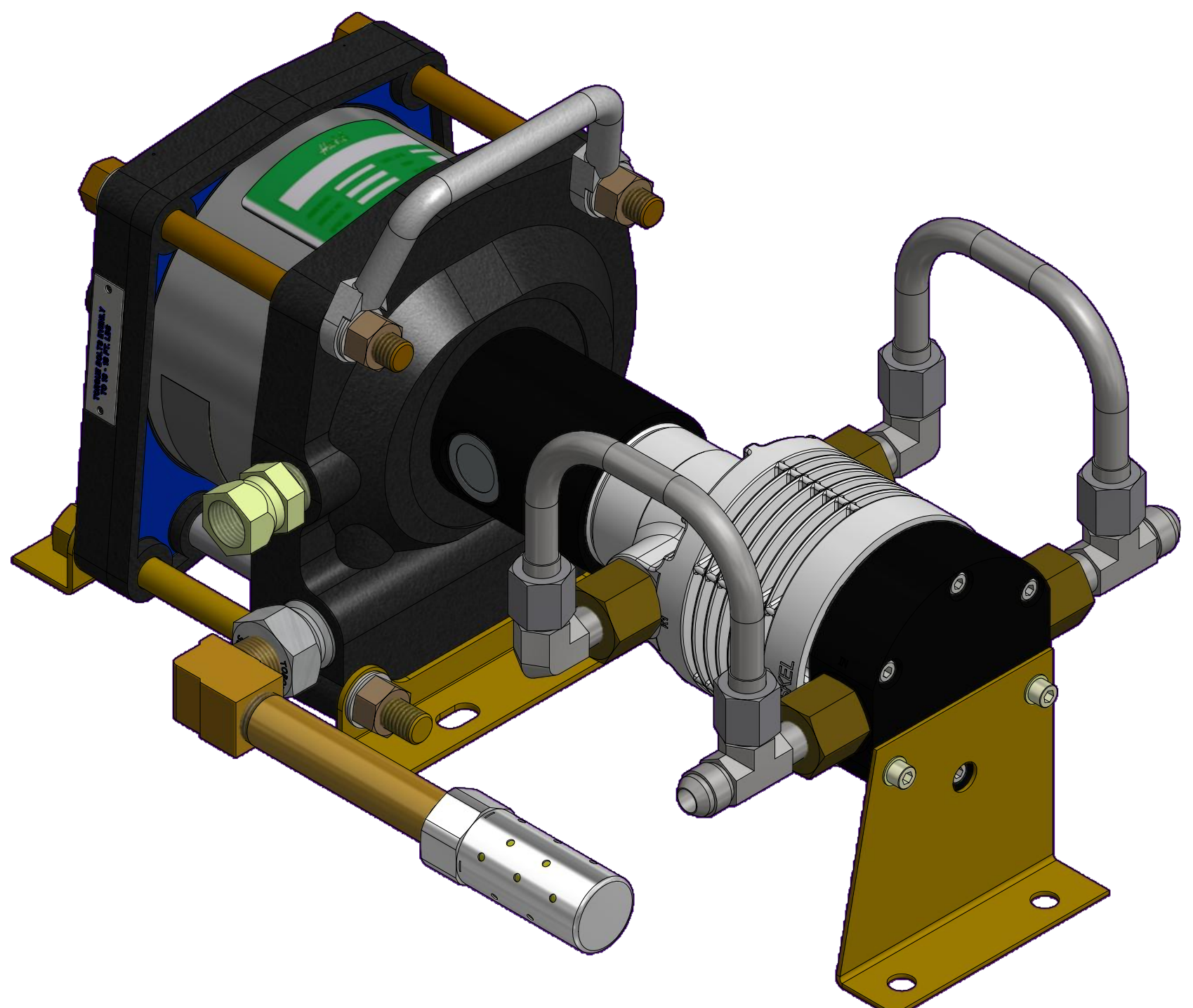


NOTES:

1. APPLY VERY LIGHT COATING OF HASKEL LUBRICANT TO DYNAMIC SEALS IN AIR DRIVE SECTION PER HPS-3.14
2. TIGHTEN BOLTS TO 16-18 FT. LBS. IN DIAGONAL PATTERN.
3. TIGHTEN BOLTS TO 80-90 IN. LBS. IN DIAGONAL PATTERN.
4. AIR PISTON ASSEMBLY IS NON-SEPARABLE ASSEMBLY AND COMPONENTS THEREOF CANNOT BE PROCURED P/N 17396.
5. ADD SHIMS BETWEEN PISTON HALVES TO MINIMIZE GAP BETWEEN 17984 PISTON SPACER AND 51473 NUT WHEN 58950-5 SPIROL PIN IS INSTALLED (MAX 2 SHIMS).
6. INDICATES PARTS IN AIR DRIVE SEAL KIT P/N 16772.
7. INDICATES PARTS IN AIR CONTROL SEAL KIT P/N 16771.
8. INDICATES PARTS IN GAS SECTION SEAL KIT P/N 29017.
9. INDICATES PARTS IN DISTANCE PIECES SEAL KIT P/N 17327.
10. ATTACH NAME-TAG TO (ITEM 92) BLANK AND WIRE TAG AS NOTED.
11. VENT PORT SHOULD BE PLUMBED TO A CONTROLLED ENVIRONMENT.
12. TIGHTEN MUFFLER IN SUCH A WAY THAT AIR BLOWS ON TO BODY.
13. USE TEST PROCEDURE TP-82410

REVISION			
REV	DESCRIPTION	DATE	CHECKED
B	REVISED PER ECO31689	2/17/2015	PD

QTY	PART NUMBER	DESCRIPTION	MATERIAL	ITEM	QTY	PART NUMBER	DESCRIPTION	MATERIAL	ITEM	QTY	PART NUMBER	DESCRIPTION	MATERIAL	ITEM
1	568015-21	O-RING	BUNA-N (MOLY FILLED)	45	1	568015-21	O-RING	BUNA-N (MOLY FILLED)	45	1	568015-21	O-RING	BUNA-N (MOLY FILLED)	45
5	568020-2	O-RING	BUNA-N	44	5	568020-2	O-RING	BUNA-N	44	5	568020-2	O-RING	BUNA-N	44
8	568017-21	O-RING	BUNA-N (MOLY FILLED)	43	8	568017-21	O-RING	BUNA-N (MOLY FILLED)	43	8	568017-21	O-RING	BUNA-N (MOLY FILLED)	43
1	16648	SLEEVE	7075-T6 AL	42	1	16648	SLEEVE	7075-T6 AL	42	1	16648	SLEEVE	7075-T6 AL	42
1	28607	NAMEPLATE, TORQUE	AL	41	1	28607	NAMEPLATE, TORQUE	AL	41	1	28607	NAMEPLATE, TORQUE	AL	41
2	27908-2	BEARING	CARBON FILLED TEFLON	40	2	27908-2	BEARING	CARBON FILLED TEFLON	40	2	27908-2	BEARING	CARBON FILLED TEFLON	40
2	26165-6	ROD SEAL	CARBON FILLED TEFLON	39	2	26165-6	ROD SEAL	CARBON FILLED TEFLON	39	2	26165-6	ROD SEAL	CARBON FILLED TEFLON	39
1	21701	MUFFLER-1/2 NPT	6061-T6 AL	38	1	21701	MUFFLER-1/2 NPT	6061-T6 AL	38	1	21701	MUFFLER-1/2 NPT	6061-T6 AL	38
1	79008-50	PIPE NIPPLE	BRASS	37	1	79008-50	PIPE NIPPLE	BRASS	37	1	79008-50	PIPE NIPPLE	BRASS	37
1	62012-8B	STREET ELBOW	BRASS	36	1	62012-8B	STREET ELBOW	BRASS	36	1	62012-8B	STREET ELBOW	BRASS	36
2	568006-2	O-RING	BUNA-N	35	2	568006-2	O-RING	BUNA-N	35	2	568006-2	O-RING	BUNA-N	35
2	16517	SPACER	BRASS	34	2	16517	SPACER	BRASS	34	2	16517	SPACER	BRASS	34
2	5005-31H	RETAINER RING	15-7 PH	33	2	5005-31H	RETAINER RING	15-7 PH	33	2	5005-31H	RETAINER RING	15-7 PH	33
2	568906-9	O-RING	BUNA-N	32	2	568906-9	O-RING	BUNA-N	32	2	568906-9	O-RING	BUNA-N	32
1	27375-4V	STEM	STAINLESS STEEL	31	1	27375-4V	STEM	STAINLESS STEEL	31	1	27375-4V	STEM	STAINLESS STEEL	31
2	16513	SPRING	ASTM-A-228	30	2	16513	SPRING	ASTM-A-228	30	2	16513	SPRING	ASTM-A-228	30
2	16510	PLUG	AL 2024-T351 OR T4	29	2	16510	PLUG	AL 2024-T351 OR T4	29	2	16510	PLUG	AL 2024-T351 OR T4	29
2	568014-2	O-RING	BUNA-N	28	2	568014-2	O-RING	BUNA-N	28	2	568014-2	O-RING	BUNA-N	28
2	568010-2	O-RING	BUNA-N	27	2	568010-2	O-RING	BUNA-N	27	2	568010-2	O-RING	BUNA-N	27
1	27078-2	FLOW TUBE	300 SERIES SS	26	1	27078-2	FLOW TUBE	300 SERIES SS	26	1	27078-2	FLOW TUBE	300 SERIES SS	26
1	27077-2	TUBE, PILOT	300 SERIES SS	25	1	27077-2	TUBE, PILOT	300 SERIES SS	25	1	27077-2	TUBE, PILOT	300 SERIES SS	25
1	27272	O-RING	BUNA-N	24	1	27272	O-RING	BUNA-N	24	1	27272	O-RING	BUNA-N	24
1	17209-18	BEARING, SEAL- ROD	PTFE-GLASS FILLED	23	1	17209-18	BEARING, SEAL- ROD	PTFE-GLASS FILLED	23	1	17209-18	BEARING, SEAL- ROD	PTFE-GLASS FILLED	23
1	568035-2	O-RING	BUNA-N	22	1	568035-2	O-RING	BUNA-N	22	1	568035-2	O-RING	BUNA-N	22
1	568015-7	O-RING	VITON	21	1	568015-7	O-RING	VITON	21	1	568015-7	O-RING	VITON	21
1	58590-5	SPIROL PIN	420 SS	20	1	58590-5	SPIROL PIN	420 SS	20	1	58590-5	SPIROL PIN	420 SS	20
1	51473	NUT, PISTON ROD	15-5PH SS	19	1	51473	NUT, PISTON ROD	15-5PH SS	19	1	51473	NUT, PISTON ROD	15-5PH SS	19
2	56716	SHIM	300 SERIES SS	18	2	56716	SHIM	300 SERIES SS	18	2	56716	SHIM	300 SERIES SS	18
1	17527	RING, PISTON	CARBON FILLED TEFLON	17	1	17527	RING, PISTON	CARBON FILLED TEFLON	17	1	17527	RING, PISTON	CARBON FILLED TEFLON	17
1	17984	SPACER ASSEMBLY, PISTON		16	1	17984	SPACER ASSEMBLY, PISTON		16	1	17984	SPACER ASSEMBLY, PISTON		16
1	17983	PISTON ASSEMBLY -4 RATIO		15	1	17983	PISTON ASSEMBLY -4 RATIO		15	1	17983	PISTON ASSEMBLY -4 RATIO		15
1	MS24665-1012	COTTER PIN	300 SERIES SS	14	1	MS24665-1012	COTTER PIN	300 SERIES SS	14	1	MS24665-1012	COTTER PIN	300 SERIES SS	14
1	MS20392-1C37	PIN	STEEL	13	1	MS20392-1C37	PIN	STEEL	13	1	MS20392-1C37	PIN	STEEL	13
1	51474	PISTON ROD	15-5 PH SS (H900)	12	1	51474	PISTON ROD	15-5 PH SS (H900)	12	1	51474	PISTON ROD	15-5 PH SS (H900)	12
1	17396	AIR PISTON ASSEMBLY		11	1	17396	AIR PISTON ASSEMBLY		11	1	17396	AIR PISTON ASSEMBLY		11
6	CNF00027	LOCKWASHER, 1/4	300 SERIES SS	10	6	CNF00027	LOCKWASHER, 1/4	300 SERIES SS	10	6	CNF00027	LOCKWASHER, 1/4	300 SERIES SS	10
4	17587-2	SOCKET HEAD SCREW	ALLOY STEEL	9	4	17587-2	SOCKET HEAD SCREW	ALLOY STEEL	9	4	17587-2	SOCKET HEAD SCREW	ALLOY STEEL	9
1	17525	END CAP -4 RATIO	2024-T4 AL	8	1	17525	END CAP -4 RATIO	2024-T4 AL	8	1	17525	END CAP -4 RATIO	2024-T4 AL	8
1	16615	EXTERNAL NUT	2024-T4 AL	7	1	16615	EXTERNAL NUT	2024-T4 AL	7	1	16615	EXTERNAL NUT	2024-T4 AL	7
1	16778	PUMP BODY, AA-5 AO-4	356-T6 AL	6	1	16778	PUMP BODY, AA-5 AO-4	356-T6 AL	6	1	16778	PUMP BODY, AA-5 AO-4	356-T6 AL	6
1	17517-2	SLEEVE, AA-5	300 SERIES SS	5	1	17517-2	SLEEVE, AA-5	300 SERIES SS	5	1	17517-2	SLEEVE, AA-5	300 SERIES SS	5
1	16679	HANDLE	DIE CAST ALLOY	4	1	16679	HANDLE	DIE CAST ALLOY	4	1	16679	HANDLE	DIE CAST ALLOY	4
2	568050-2	O-RING	BUNA-N	3	2	568050-2	O-RING	BUNA-N	3	2	568050-2	O-RING	BUNA-N	3
1	28752	AIR CAP	AL DIE CAST ALLOY / QQ-A-591	2	1	28752	AIR CAP	AL DIE CAST ALLOY / QQ-A-591	2	1	28752	AIR CAP	AL DIE CAST ALLOY / QQ-A-591	2
1	17339	BARREL	FIBERGLASS	1	1	17339	BARREL	FIBERGLASS	1	1	17339	BARREL	FIBERGLASS	1



QTY	PART NUMBER	DESCRIPTION	MATERIAL	ITEM
1	62032-4-2C	FEMALE ELBOW 1/4TB X 1/8 NPT	STAINLESS STEEL	95
2	17849	SCREEN VENT	STEEL	94
1	61610-2C	NIP, HEX PIPE, 1/8 NPT	300 SERIES SS	93
4	CN001006	BLANK PLATE	AL	92
1	86711-11	VENT PORT	PLASTIC	91
1	86711-8	AIR DRIVE INLET	PLASTIC	90
1	86711-7	GAS OUTLET	PLASTIC	89

QTY	PART NUMBER	DESCRIPTION	MATERIAL	ITEM
1	568039-7	O-RING	VITON	52
1	17314	DISTANCE PIECE	2024-T4 AL	51
1	17524	SPACER (NEOPRENE)	300 SERIES SS/NEOPRENE	50
1	16649	RETAINER	2024-T351 OR T4 AL	49
1	17385-5V	STEM, PILOT	303 SS	48
1	16578	SPOOL	7075-T651 AL	47
1	16501-3	AIR CAP. LOWER	356-T6 AL	46

QTY	PART NUMBER	DESCRIPTION	MATERIAL	ITEM
1	568039-7	O-RING	VITON	52
1	17314	DISTANCE PIECE	2024-T4 AL	51
1	17524	SPACER (NEOPRENE)	300 SERIES SS/NEOPRENE	50
1	16649	RETAINER	2024-T351 OR T4 AL	49
1	17385-5V	STEM, PILOT	303 SS	48
1	16578	SPOOL	7075-T651 AL	47
1	16501-3	AIR CAP. LOWER	356-T6 AL	46

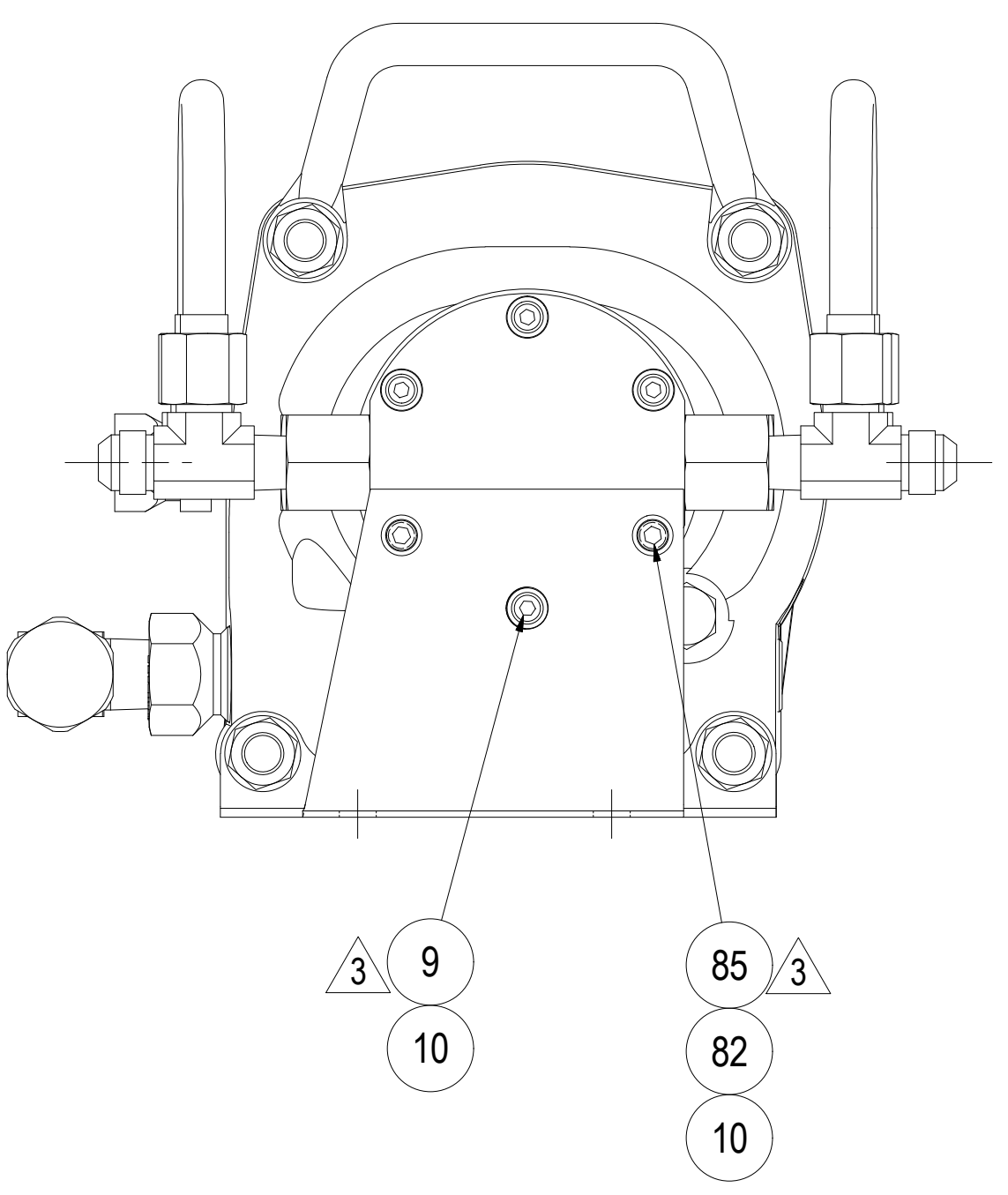
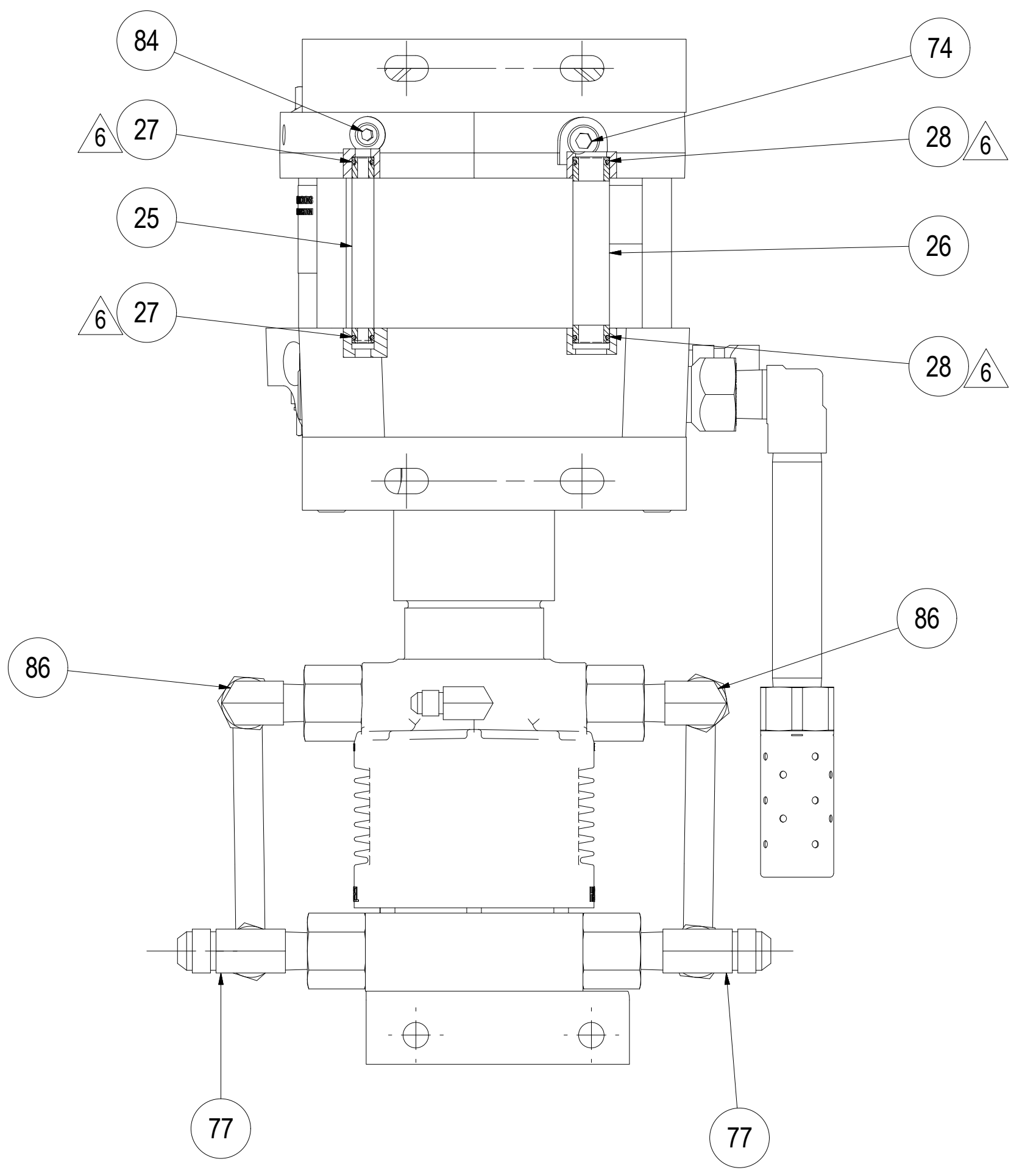
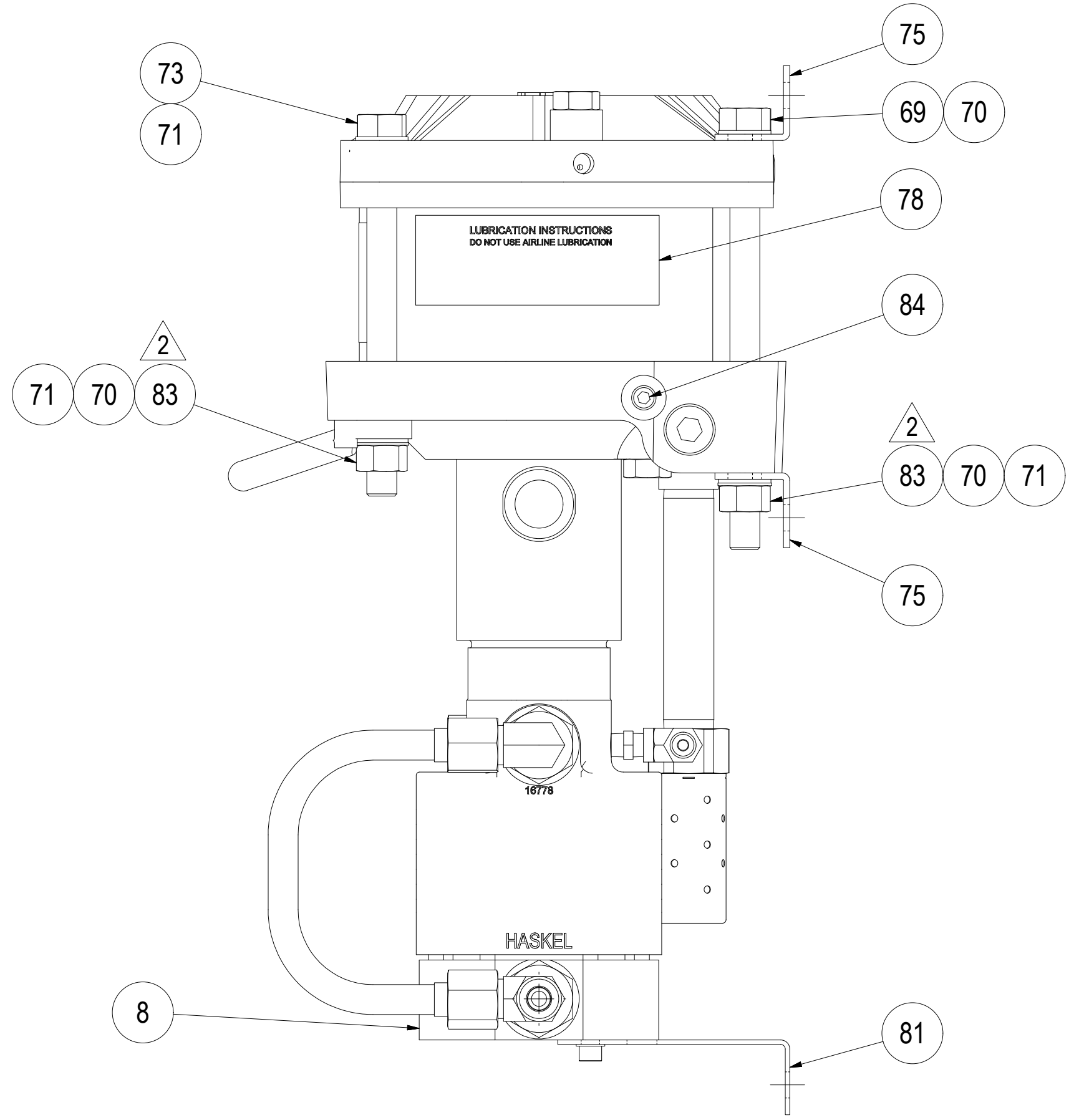
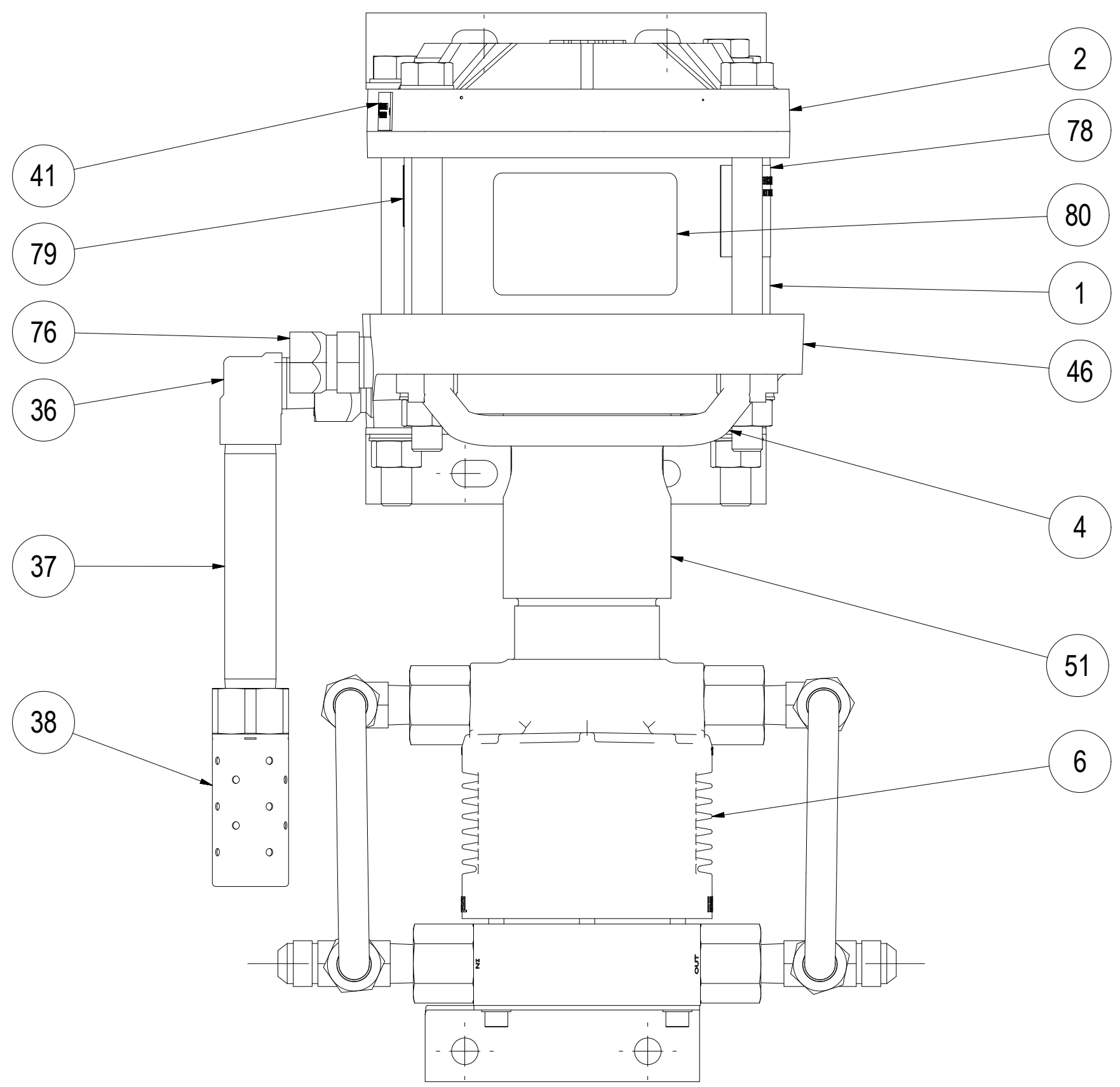
NEXT ASSY (REF ONLY)		Haskel International, LLC Burbank, California 91502	
APPROVALS	DATE	TITLE	
DRAWN CW	12/2/2014	PUMP, R600 TRANSFER	
CHECKED PD	1/26/2015	SIZE D	CAGE CODE 81400
APPROVED SDQ	1/26/2015	DWG NO. 83354	REV B
CAD FILENAME	EXT420	SCALE: NONE	INVENTOR DRAWING SHEET 1 OF 4

INFORMATION CONTAINED HEREIN IS SUBJECT TO THE EXPORT ADMINISTRATION REGULATIONS (EAR) OF THE UNITED STATES OF AMERICA AND EXPORT CLASSIFIED UNDER THOSE REGULATIONS AS (ECCN: EAR99). NO PORTION OF THIS DOCUMENT CAN BE RE-EXPORTED FROM THE RECIPIENT COUNTRY OR RE-TRANSFERRED OR DISCLOSED TO ANY OTHER ENTITY OR PERSON NOT AUTHORIZED TO RECEIVE IT WITHOUT THE PRIOR AUTHORIZATION OF HASKEL INTERNATIONAL, LLC. THIS NOTICE SHALL BE ATTACHED TO ANY REPRODUCED SECTION OF THIS DOCUMENT.

THIS DRAWING EMBODIES A CONFIDENTIAL PROPRIETARY DESIGN. ALL RIGHTS FOR REPRODUCTION, MANUFACTURING OR PATENTS ARE RESERVED BY HASKEL INTERNATIONAL, LLC.

83354

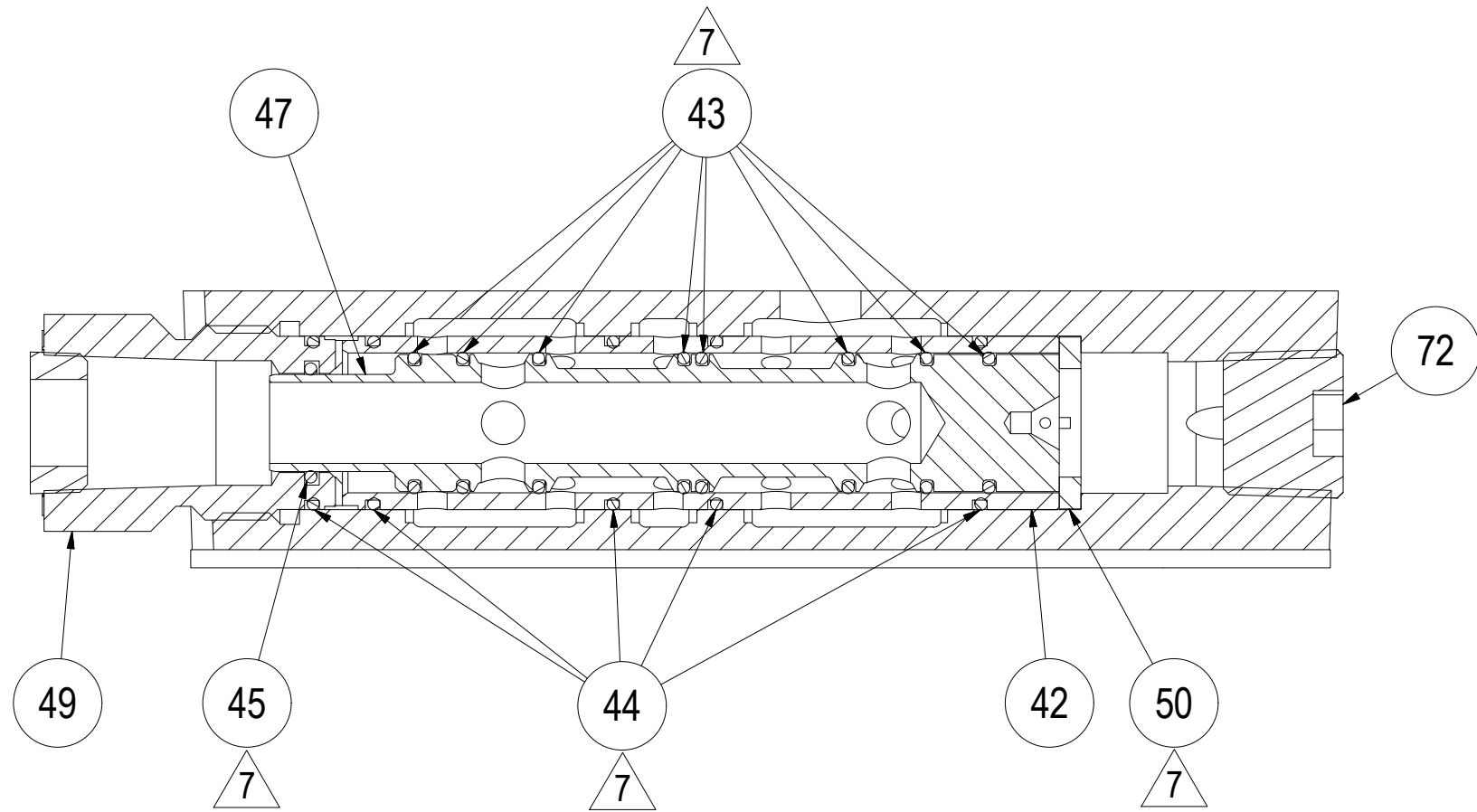
REVISION			
REV	DESCRIPTION	DATE	CHECKED
1	SEE SHEET 1		



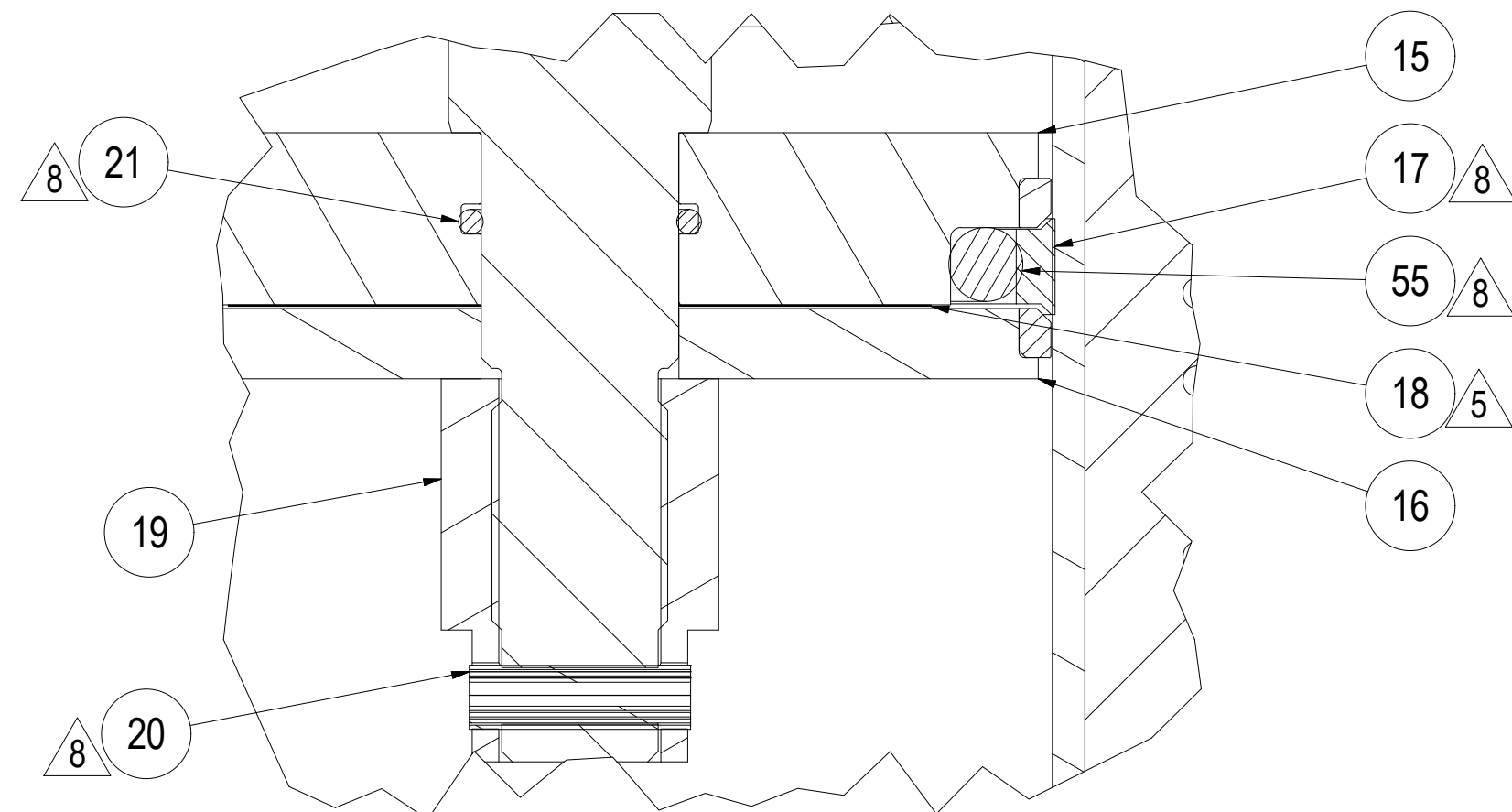
INFORMATION CONTAINED HEREIN IS SUBJECT TO THE EXPORT ADMINISTRATION REGULATIONS (EAR) OF THE UNITED STATES OF AMERICA AND EXPORT CLASSIFIED UNDER THOSE REGULATIONS AS (ECCN: EAR99). NO PORTION OF THIS DOCUMENT CAN BE RE-EXPORTED FROM THE RECIPIENT COUNTRY OR RE-TRANSFERRED OR DISCLOSED TO ANY OTHER ENTITY OR PERSON NOT AUTHORIZED TO RECEIVE IT WITHOUT THE PRIOR AUTHORIZATION OF HASKEL INTERNATIONAL, LLC. THIS NOTICE SHALL BE ATTACHED TO ANY REPRODUCED SECTION OF THIS DOCUMENT.

		Haskel International, LLC Burbank, California 91502		SIZE D	CAGE CODE 81400	DWG NO. 83354	REV B
DRAWN CW	CHECKED PD	SCALE: NONE	INVENTOR DRAWING	SHEET 2 OF 4			

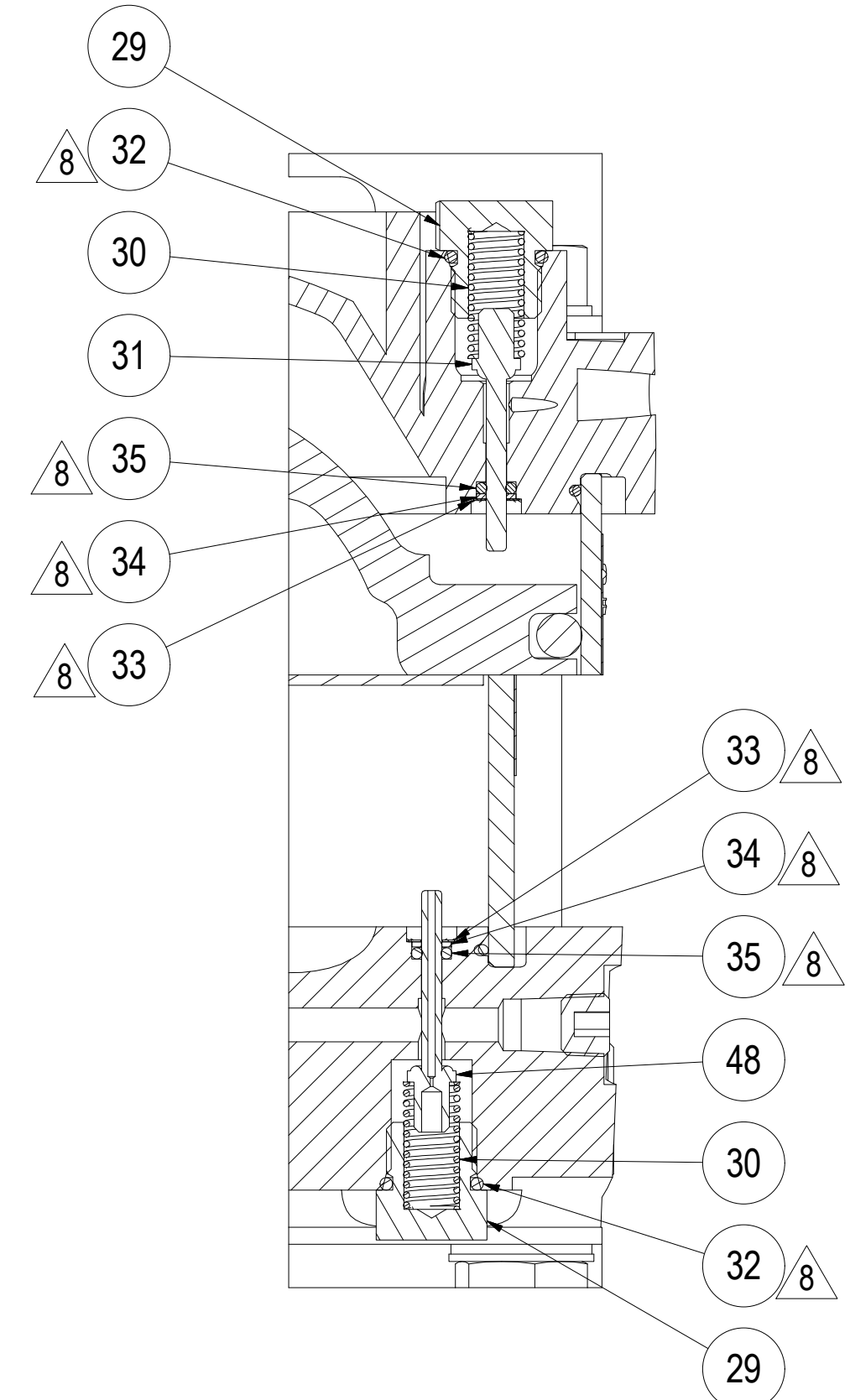
REVISION			
REV	DESCRIPTION	DATE	CHECKED
1	SEE SHEET 1		



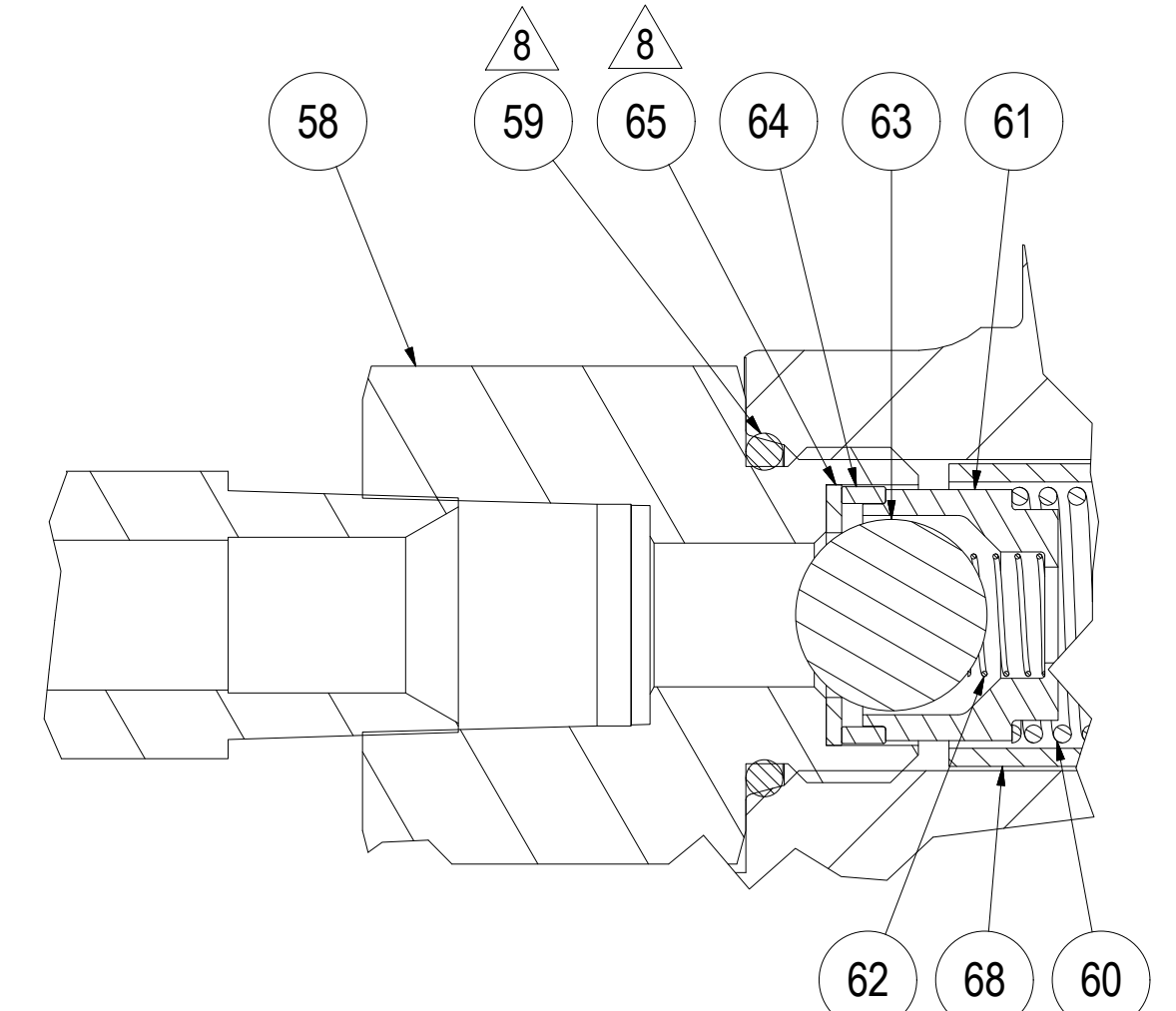
SECTION B-B
SCALE 1 : 1



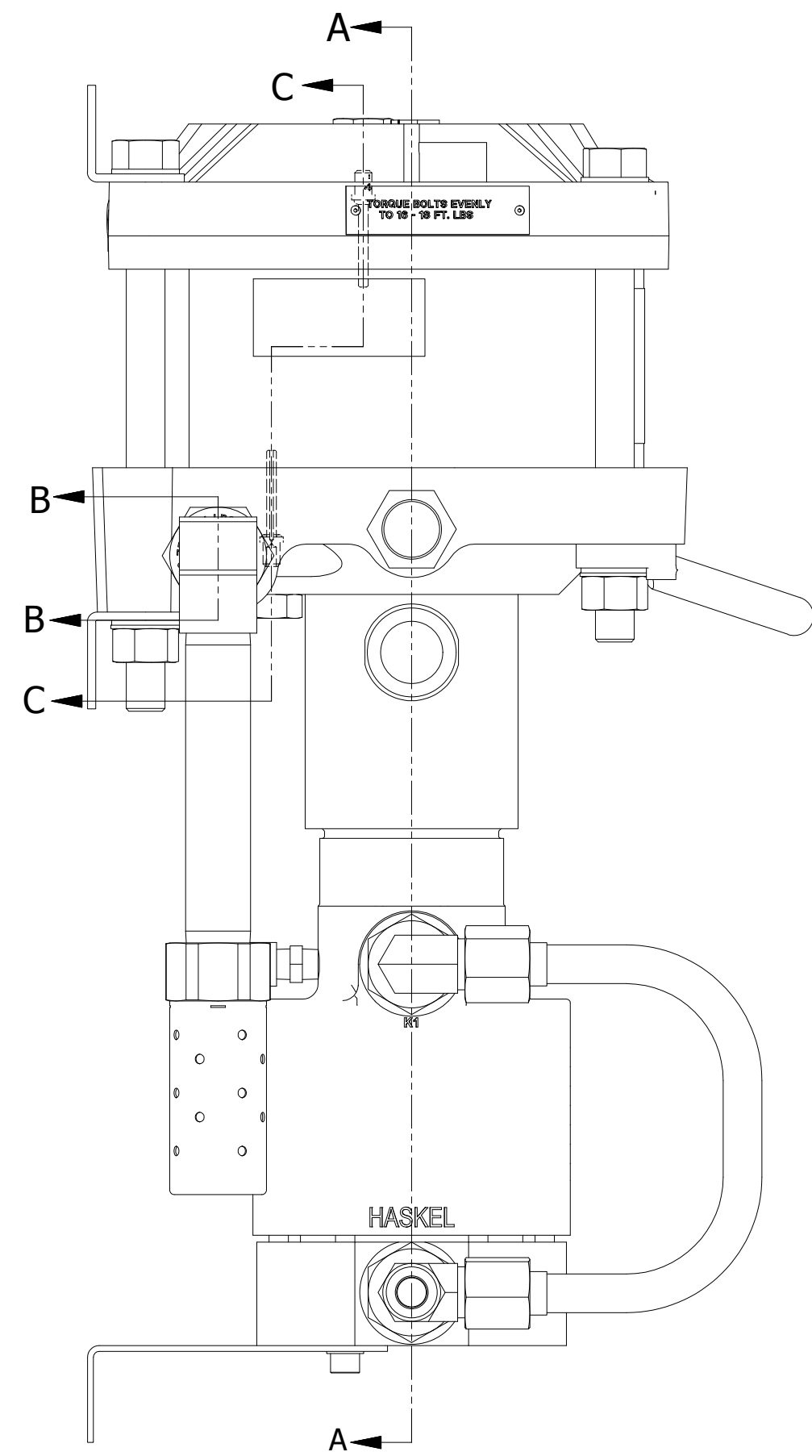
DETAIL F
SCALE 2 : 1



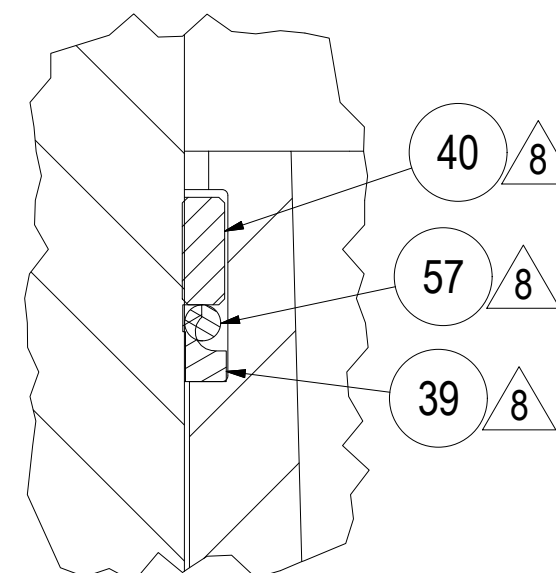
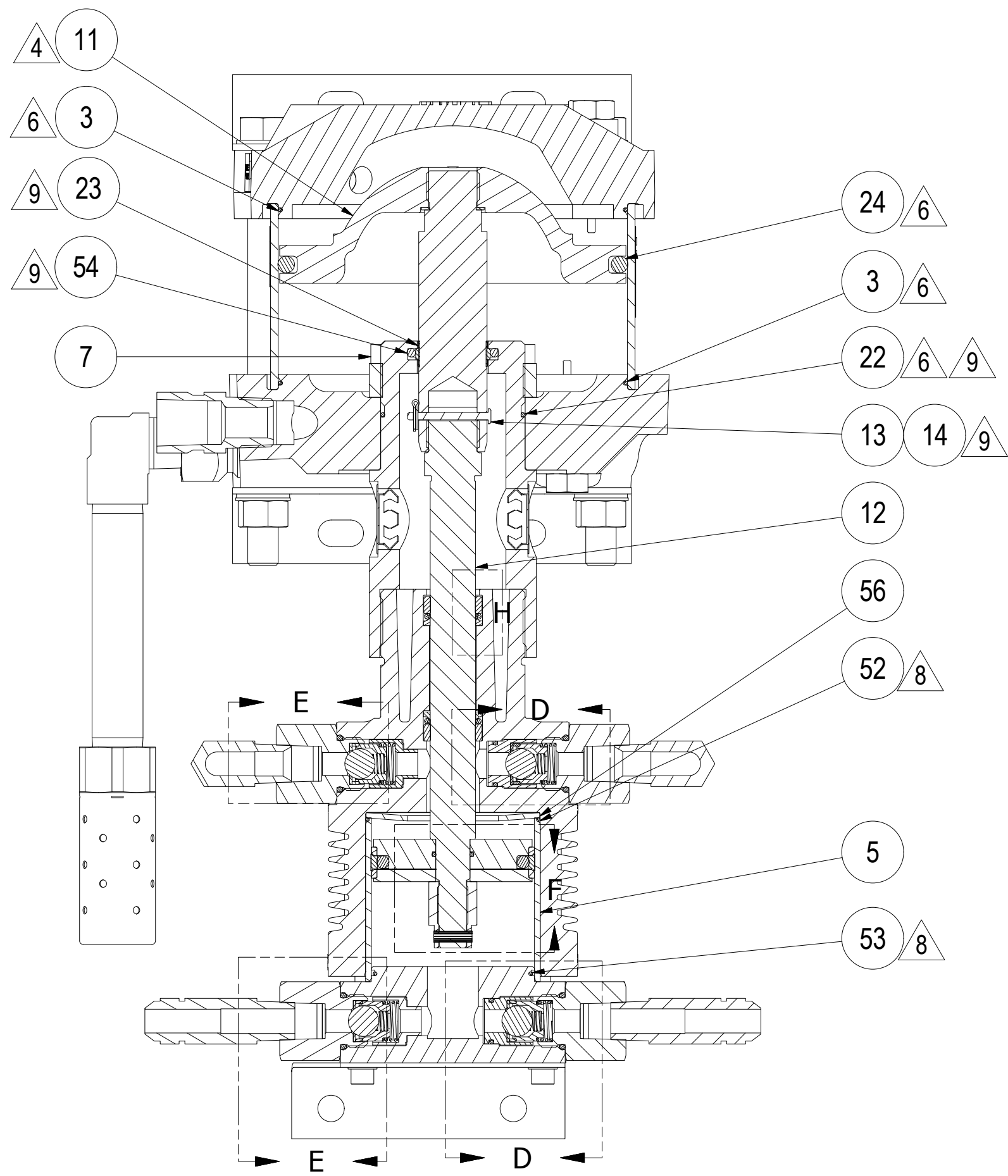
SECTION C-C
SCALE 1 : 1



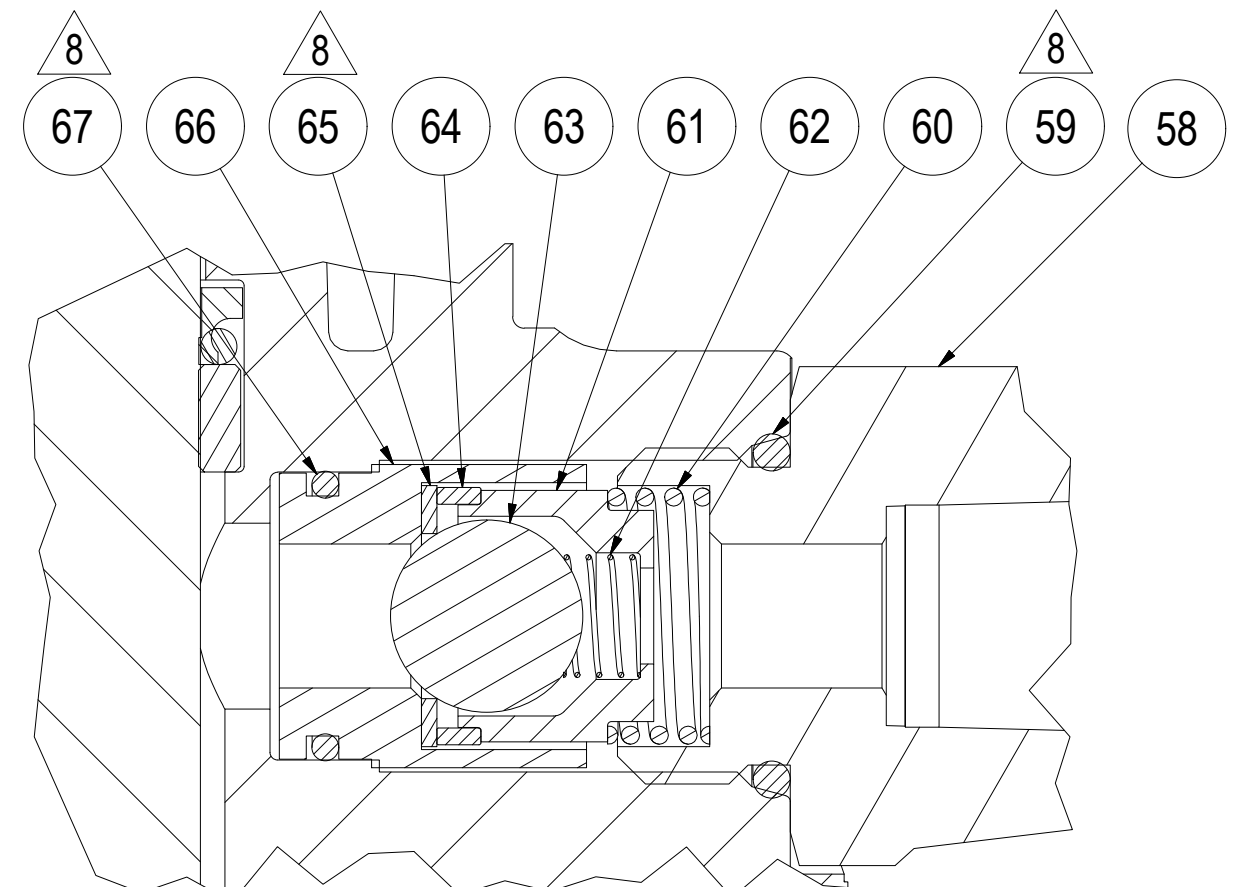
DETAIL E
SCALE 2 : 1
INLET CHECK
(2 PLCS)



SECTION A-A
SCALE 1 / 2



DETAIL H
SCALE 2 : 1
(2 PLCS)

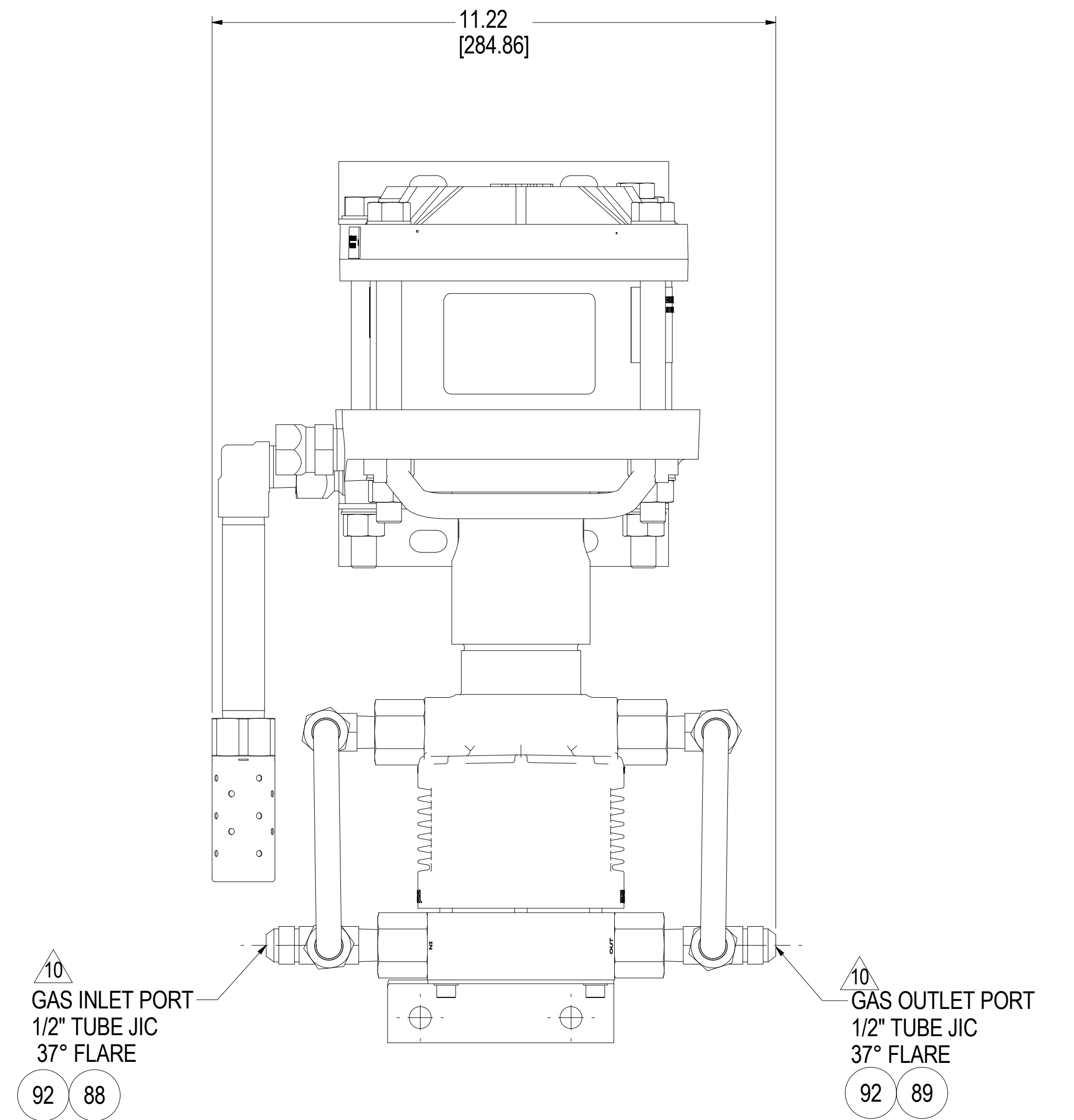
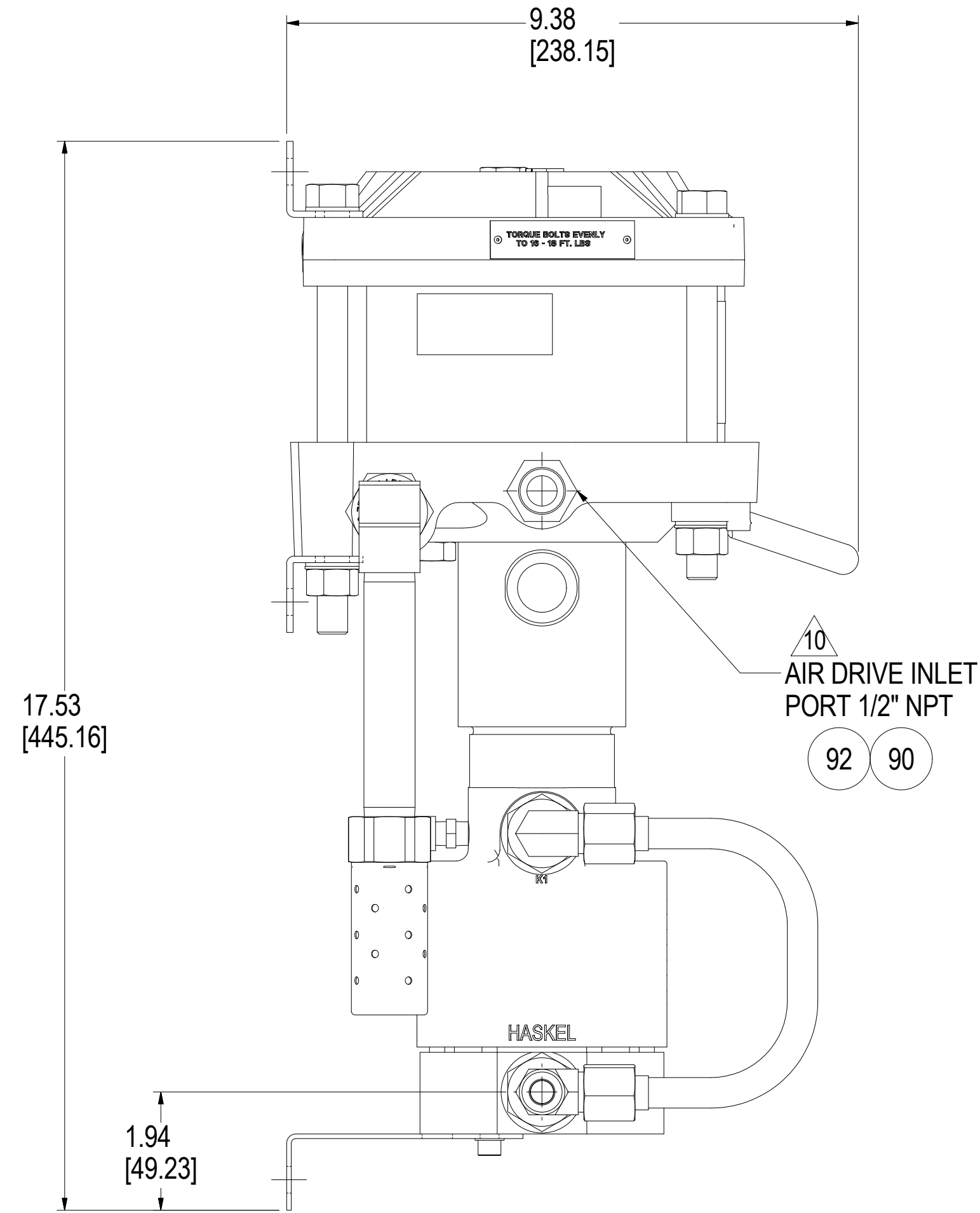
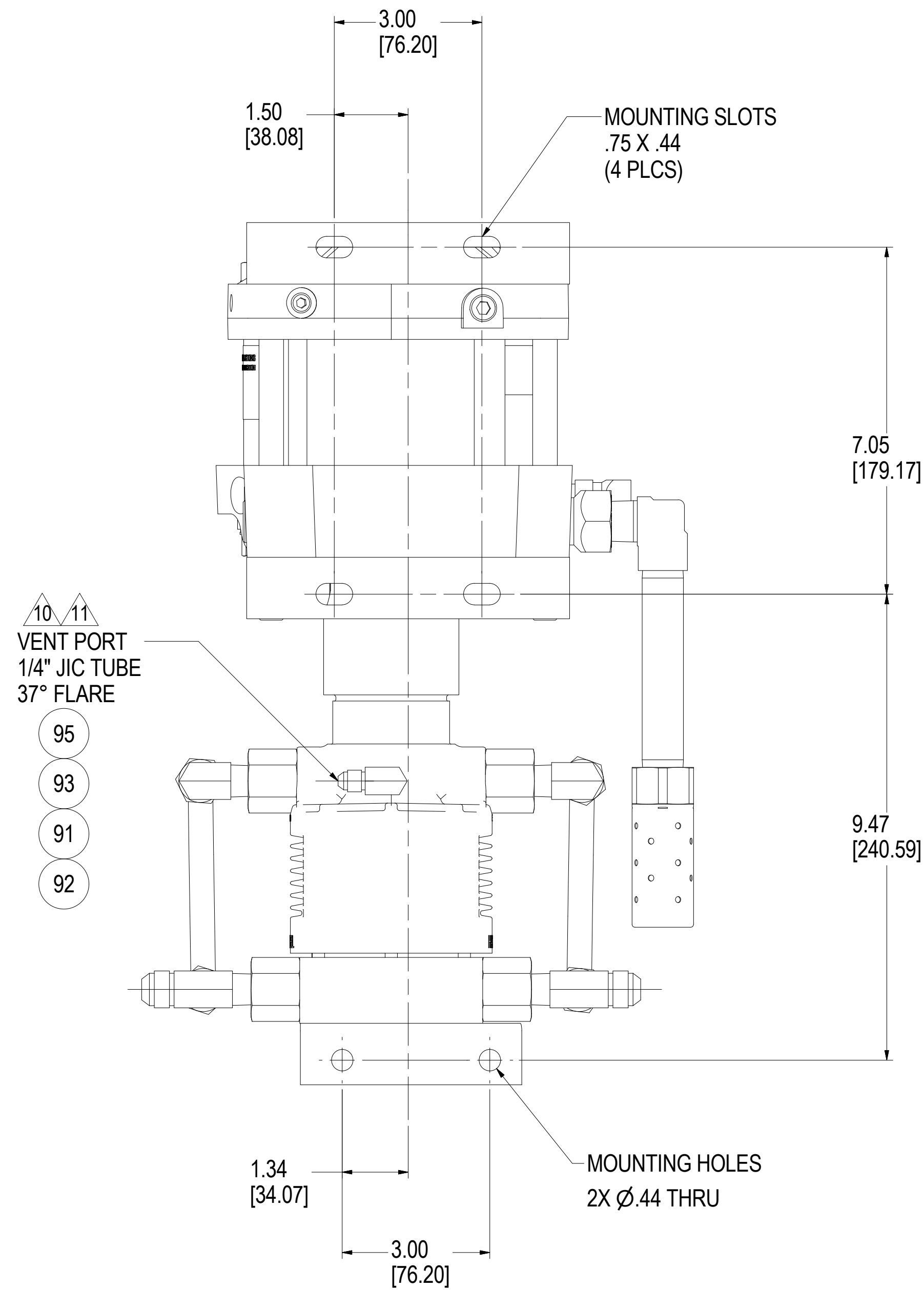


DETAIL D
SCALE 2 : 1
OUTCHECK
(2 PLCS)

INFORMATION CONTAINED HEREIN IS SUBJECT TO THE EXPORT ADMINISTRATION REGULATIONS (EAR) OF THE UNITED STATES OF AMERICA AND EXPORT CLASSIFIED UNDER THOSE REGULATIONS AS (ECCN: EAR99). NO PORTION OF THIS DOCUMENT CAN BE RE-EXPORTED FROM THE RECIPIENT COUNTRY OR RE-TRANSFERRED OR DISCLOSED TO ANY OTHER ENTITY OR PERSON NOT AUTHORIZED TO RECEIVE IT WITHOUT THE PRIOR AUTHORIZATION OF HASKEL INTERNATIONAL, LLC. THIS NOTICE SHALL BE ATTACHED TO ANY REPRODUCED SECTION OF THIS DOCUMENT.

		Haskel International, LLC Burbank, California 91502		SIZE D	CAGE CODE 81400	DWG NO. 83354	REV B
DRAWN CW	CHECKED PD	SCALE: NONE	INVENTOR DRAWING	SHEET 3 OF 4			

REVISION			
REV	DESCRIPTION	DATE	CHECKED
SEE SHEET 1			



INFORMATION CONTAINED HEREIN IS SUBJECT TO THE EXPORT ADMINISTRATION REGULATIONS (EAR) OF THE UNITED STATES OF AMERICA AND EXPORT CLASSIFIED UNDER THOSE REGULATIONS AS (ECCN: EAR99). NO PORTION OF THIS DOCUMENT CAN BE RE-EXPORTED FROM THE RECIPIENT COUNTRY OR RE-TRANSFERRED OR DISCLOSED TO ANY OTHER ENTITY OR PERSON NOT AUTHORIZED TO RECEIVE IT WITHOUT THE PRIOR AUTHORIZATION OF HASKEL INTERNATIONAL, LLC. THIS NOTICE SHALL BE ATTACHED TO ANY REPRODUCED SECTION OF THIS DOCUMENT.

Haskel International, LLC Burbank, California 91502		SIZE D	CAGE CODE 81400	DWG NO. 83354	REV B
DRAWN CW	CHECKED PD	SCALE: NONE	INVENTOR DRAWING	SHEET 4 OF 4	