

**Operating Instructions
for
Rotating Vane Flow Meter**

Model: DRH-...



1. Contents

1. Contents.....	2
2. Note	3
3. Instrument Inspection.....	3
4. Regulation Use	3
5. Operating Principle.....	4
6. Mechanical Connection.....	4
6.1. Check service conditions:	4
6.2. Installation.....	4
7. Electrical Connection	5
7.1. General	5
7.2. Output electronics: Frequency output (..F300;..F320, ..F340)	5
7.3. Output electronics: Analogue output (..L303, ..L342, ..L343, ..L442)...	6
7.4. Cable outlet with M12x1 angle plug electronic options F3x and L3x....	7
7.5. Compact electronics: (..C30R, ..C30M, ..C34P, ..C34N)	8
8. Commissioning – Output electronics.....	9
8.1. General.....	9
8.2. Setting - compact electronics.....	9
9. Maintenance	9
10. Technical Information.....	10
10.1. Sensor Data.....	10
10.2. Output electronics.....	11
11. Order Codes	13
12. Dimensions	14
13. EU Declaration of Conformance	16

Manufactured and sold by: KOBOLD Instruments Inc.
1801 Parkway View Drive
Pittsburgh PA 15205-1422
Tel.: 412-788-2830
Fax: 412-788-4980
E-Mail: info@koboldusa.com
Internet: www.koboldusa.com

2. Note

Please read these operating instructions before unpacking and putting the unit into operation. Follow the instructions precisely as described herein.

The devices are only to be used, maintained and serviced by persons familiar with these operating instructions and in accordance with local regulations applying to Health & Safety and prevention of accidents.

When used in machinery, the flow meter should only be placed in operation if the machine in use complies with the EEC machinery guidelines.

According to PED guideline 2014/68/EU

No CE marking, see Article 4, Section 3 "Sound engineering practice",
Guideline 2014/68/EU

Diagram 8, Piping systems, Group 1 Hazardous fluids

3. Instrument Inspection

Instruments are inspected before shipping and sent away in perfect condition. Should damage to a device be visible, we recommend a thorough inspection of the delivery packaging. In case of damage, please inform your parcel service/ forwarding agent immediately, since they are responsible for damages during transit.

Scope of delivery:

The standard delivery includes:

- Rotating Vane Flow Meter model: DRH-...
- Operating instructions

4. Regulation Use

Any use of the DRH which exceeds the manufactures specification may invalidate its warranty. Therefore, any resulting damage is not the responsibility of the manufacturer. The user assumes all risk for such usage.

5. Operating Principle

KOBOLD Rotating Vane Flow Meters series DRH are used for measuring and monitoring low viscous liquids.

Series DRH flow meters are working according the well-known rotating vane principle. A magnet fitted in the vane and hermetically sealed from the medium transfers non-contacting the rotary motion to a Hall-effect sensor mounted in the housing. The sensor converts the rotary motion which is proportional to the flow to a frequency signal. A series-connected electronics unit converts the signal to an analogue output, limit contacts or display.

These devices can be adapted to prevailing plant conditions with the 360° rotatable screw connections.

6. Mechanical Connection

6.1. Check service conditions:

- Flow rate
- Maximum operating pressures
- Maximum operating temperature



Attention! Overage can cause damage to bearings and cause major measuring errors.

6.2. Installation

- It must be ensured that the instrument housing is continuously filled with the flow medium, especially for flows from top to bottom. No straight lengths are necessary at inlet and outlet connections.
- Check that flow is in the direction of the arrow on the front of the unit, and that the face of the unit is aligned in the vertical plane (axle in horizontal plane)
- Avoid pressure and tensile loads
Mechanically secure the inlet and outlet lines 50 mm from the connection
- Check connections for leaks.

7. Electrical Connection

7.1. General



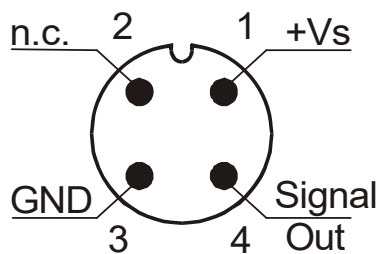
Attention! Make sure that the voltages in your plant correspond with the flow meter voltages.

- Make sure that all electrical supply lines are de-energised.
- Connect supply voltage and output signal to the plug connector pins as shown below.
- We recommend a power supply cable with diameter 0.25 mm².



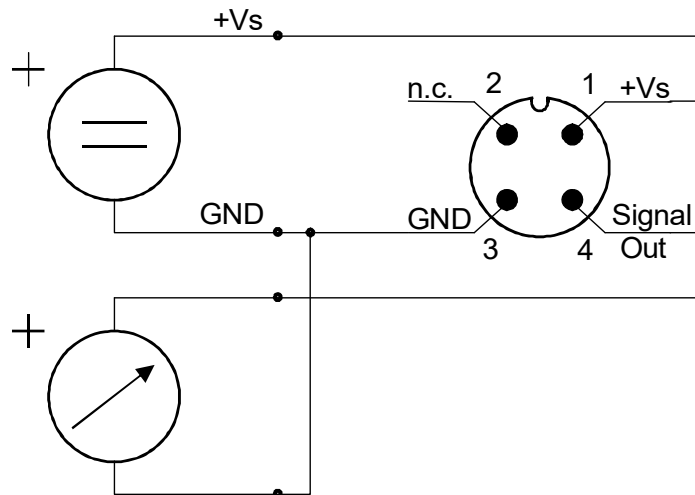
Attention! The instrument electronics may be damaged if the cable connections are assigned incorrectly.

7.2. Output electronics: Frequency output (..F300;..F320, ..F340)

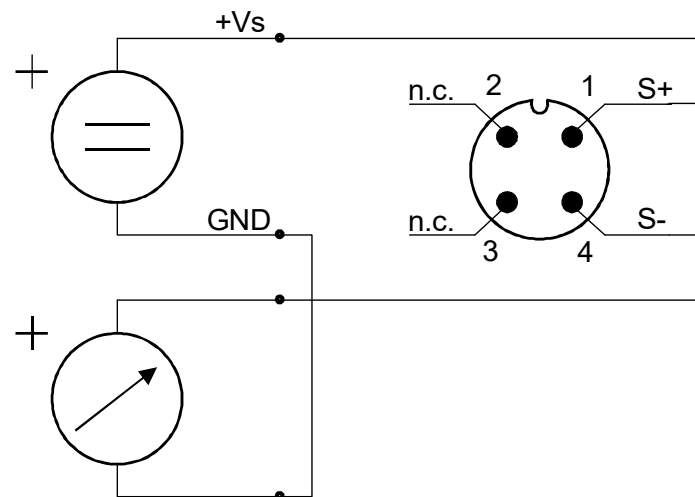


7.3. Output electronics: Analogue output (..L303, ..L342, ..L343, ..L442)

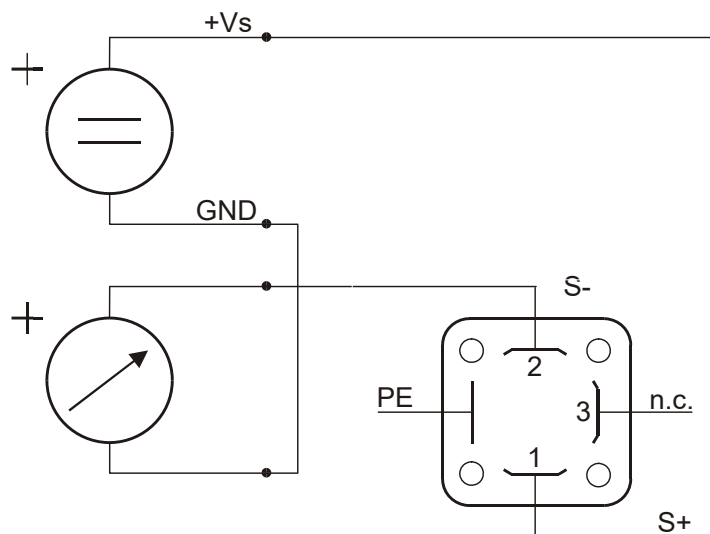
3-wire (..L303, ..L343)



2-wire (..L342)

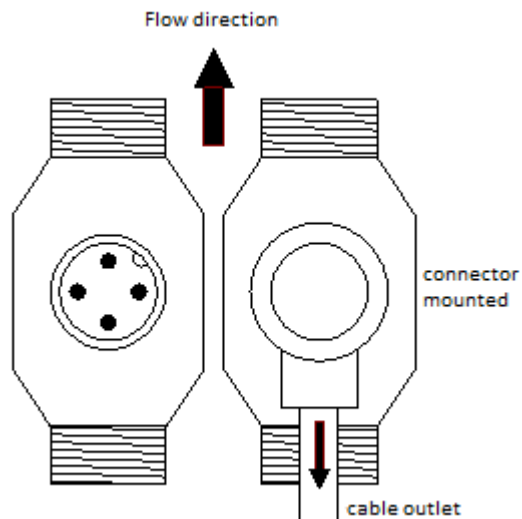


2-wire, DIN plug connector (..L442)



7.4. Cable outlet with M12x1 angle plug electronic options F3x and L3x

When using a pre-assembled M12x1 connection cable with angled plug, the cable outlet is always aligned opposite to the flow direction.



7.5. Compact electronics: (..C30R, ..C30M, ..C34P, ..C34N)

7.5.1. General



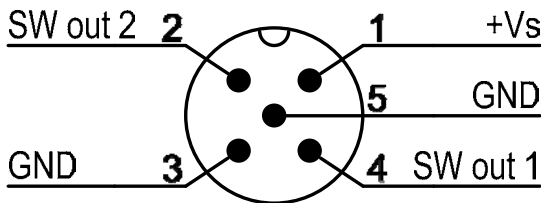
Attention! Make sure that the voltages in your plant correspond with the flow meter voltages.

- Make sure that all electrical supply lines are de-energised.
- Connect supply voltage and output signal to the plug connector pins as shown below.
- We recommend a power supply cable with diameter 0.25 mm².

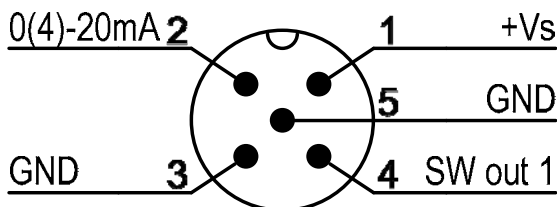


Attention! The instrument electronics may be damaged if the cable connections are assigned incorrectly.

7.5.2. Compact electronics: (..C30R, ..C30M)



7.5.3. Compact electronics: (..C34P, ..C34N)



The clamps 3 and 5 are short-circuited and can therefore be used optional for the output signal or power supply.

8. Commissioning – Output electronics

8.1. General

The measuring instruments are preset and are ready for operation after electrical connection.

8.2. Setting - compact electronics

**See
Operating instructions supplement
for compact electronics with frequency output**

9. Maintenance

If the medium to be measured is clean, the Model DRH is virtually maintenance-free. It is particularly important to guard against contamination by ferritic (iron metal) contaminants. These can be eliminated by using e.g. the KOBOLD magnetic filter, model MFR.

However, if the sensor must be cleaned, it can be opened to gain access to the internal parts. Make sure that the sensor and, especially, the blades are not damaged during this procedure. When re-assembling, be certain that the vane is carefully positioned and oriented correctly.

Work on the sensor and electronics should only be carried out by the manufacturer, otherwise the guarantee is nullified.

10. Technical Information

10.1. Sensor Data

Material combinations:	see order details
Max. operating pressure:	see order details
Max. temperature:	see order details
Measuring accuracy:	±2.5 % f. s. ±5% f. s. (DRH-...F300)
Electrical connection:	plug connector DIN 43 650, plug connector M12x1, cable
Pressure loss:	max. 1 bar at max. range
Protection:	IP 65

Material combinations (Please enter order code instead of X "model")

Device parts	Order code: 1	Order code: 2	Order code: 4	Order code: 5	Order code: 7	Order code: 8	Order code: 9
Housing	Brass, nickel-plated	Brass, nickel-plated	1.4404	1.4404	POM	POM	PVDF
Housing cover	PMMA	Brass, nickel-plated	PMMA	1.4404	PMMA	POM	PVDF
Gasket	NBR	NBR	FPM	FPM	NBR	NBR	FPM
Rotating vane	PTFE	PTFE	PTFE	PTFE	PTFE	PTFE	PTFE
Axle	Ceramic	Ceramic	Ceramic	Ceramic	Ceramic	Ceramic	Ceramic
Bearing	PTFE	PTFE	PTFE	PTFE	PTFE	PTFE	PTFE
p_{max}	16 bar	100 bar	16 bar	100 bar	16 bar	16 bar	16 bar
t_{max}	80 °C	80 °C	80 °C	80 °C	80 °C	80 °C	80 °C
Weight (3/8")	850 g	1000 g	900 g	1050 g	250 g	250 g	300 g
Weight (1")	1600 g	2000 g	1600 g	2000 g	400 g	400 g	500 g

Weight

Weight (sensor)
+Weight (electronics)

Total weight

Sensor weight

see material
combination

Electronics weight

Frequency output: approx. 35 g
Analogue output (...L3...): approx. 35 g
Analogue output (...L4...): approx. 100 g
Compact electronics: approx. 650 g
Counter electronics: approx. 250 g
Dosing electronics: approx. 250 g

10.2. Output electronics

Frequency output (...F300)

Power supply:	12-28 VDC
Power consumption:	10 mA
Pulse output:	PNP, open collector, max. 25 mA
Electrical connection:	plug connector M12x1

Frequency output with frequency divider

Power supply:	24 VDC $\pm 20\%$
Power consumption:	15 mA
Pulse output:	PNP, open collector, max. 25 mA
Electrical connection:	plug connector M12x1
Division ratio:	1...1/128, factory setting

Analogue output (plug-on display option)

Power supply:	24 VDC $\pm 20\%$
Output:	0-20 mA or 4-20 mA, 2-wire or 3-wire
Max. load:	500 Ω .
Electrical connection:	plug connector M12x1 or DIN 43 650
Option:	plug-on display (with plug connector DIN 43 650 and output 4-20 mA only), 2-wire

Compact electronics

Display:	3-segment LED
Analogue output:	(0)4 -20 mA adjustable, max. 500 Ω
Switching outputs:	1 (2) semiconductor PNP or NPN, factory set
Contact operation:	N/C / N/O contact frequency programmable
Setting:	with 2 buttons
Supply:	24 VDC $\pm 20\%$, 3-wire technology, approx. 100 mA
Electrical connection:	plug connector M12x1

DRH-...Exxx (Counter electronics)

Display:	LCD, 2x8 digits, illuminated Total, part and flow quantities, units selectable
Quantity meter:	8 digit
Analogue output:	(0)4...20 mA adjustable
Load:	max. 500 Ω
Switching output:	2 relays, max. 30 V _{AC/DC} /2 A/60 VA
Settings:	via 4 buttons
Functions:	Reset, MIN/MAX memory, flow monitor, monitoring for part and total quantity, language
Power supply:	24 VDC $\pm 20\%$, 3-wire
Power consumption:	approx. 150 mA
Electrical connections:	cable connection or M12 plug

DRH-...Gxxx (Dosing electronics)

Display:	LCD, 2x8 digits, illuminated dosing, total- and flow quantities, units selectable
Quantity meter:	8 digit
Dosage:	5-digit
Analogue output:	(0)4...20 mA adjustable
Load:	max. 500 Ω
Switching output:	2 relays, max. 30 V _{AC/DC} /2 A/60 VA
Settings:	via 4 buttons
Functions:	dosing (relay S2), start, stop, Reset, fine dosing, correction amount, flow switch, total quantity, language
Power supply:	24 VDC \pm 20%, 3-wire
Power consumption:	approx. 150 mA
Electrical connections:	cable connection or M12 plug

11. Order Codes

Note: See KOBOLD USA Datasheet for USA Order Codes

Example: DRH- 1 1 05 N3 F300

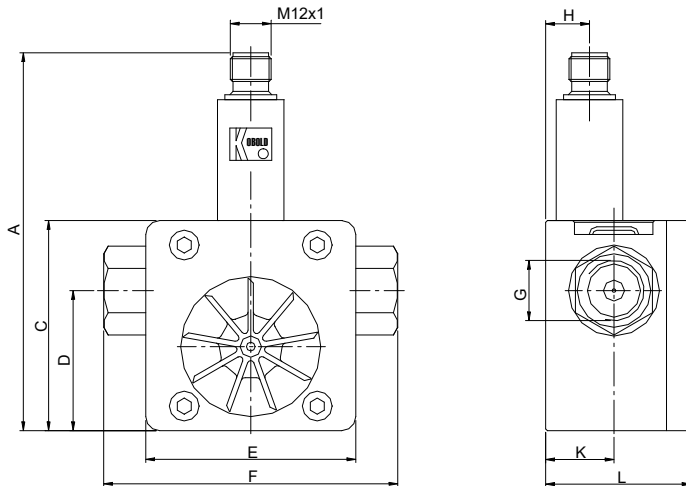
Measuring range		Orifice diameter [mm]	Model	Connection		Evaluating electronics
L/min water	approx. frequency (Hz) at f.s.			Standard fem. thread	Special fem. thread	
0.2 - 0.8	63	1	DRH-1x05..	..G3..= G 3/8	..N3..= 3/8 NPT	<p>Frequency output ..F300= Frequency output, plug connector M12x1 ..F320= Frequency divider 1:2, plug connector M12x1 ..F340= Frequency divider 1:4, plug connector M12x1 ..F390= Frequency divider 1...¹/128 plug connector M12x1</p> <p>Analogue output ..L303= 0 - 20 mA output, 3-wire, plug connector M12x1 ..L342= 4 - 20 mA output, 2-wire, plug connector M12x1 ..L343= 4 - 20 mA output, 3-wire, plug connector M12x1 ..L442= 4 - 20 mA output, 2-wire, plug connector DIN 43 650</p> <p>Compact electronics¹⁾ ..C30R= LED display, 2x open collector, PNP, plug con. M12x1 ..C30M= LED display, 2x open collector, NPN, plug con. M12x1 ..C34P= LED display, 4 - 20 mA, 1x open coll., PNP, plug con. M12x1 ..C34N= LED display, 4 - 20 mA, 1x open coll., NPN, plug con. M12x1</p> <p>Counter electronics ..E14R= LCD, 0(4)-20 mA, 2x relay, 1.5 m cable ..E34R= LCD, 0(4)-20 mA, 2x relay, M12 plug ..E94R= LCD, 0(4)-20 mA, 2x relay, cable >1.5 m²⁾</p> <p>Dosing electronics ..G14R= LCD, 0(4)-20 mA, 2x relay, 1.5 m cable ..G34R= LCD, 0(4)-20 mA, 2x relay, M12 plug ..G94R= LCD, 0(4)-20 mA, 2x relay, cable >1.5 m²⁾</p>
0.2 - 2.0	50	2	DRH-1x10..	..G6..= G 1	..N6..= 1 NPT	
0.3 - 2.8	123	2	DRH-1x15..	..G3..= G 3/8	..N3..= 3/8 NPT	
0.25 - 5.0	78	3	DRH-1x20..	..G6..= G 1	..N6..= 1 NPT	
0.5 - 6.0	166	3	DRH-1x25..	..G3..= G 3/8	..N3..= 3/8 NPT	
0.5 - 15	145	5	DRH-1x30..	..G6..= G 1	..N6..= 1 NPT	
1.0 - 16	225	5	DRH-1x35..	..G3..= G 3/8	..N3..= 3/8 NPT	
1.0 - 26	240	7	DRH-1x40..	..G3..= G 3/8	..N3..= 3/8 NPT	
2.0 - 36	228	9	DRH-1x45..	..G6..= G 1	..N6..= 1 NPT	
2.5 - 50	220	10	DRH-1x50..	..G6..= G 1	..N6..= 1 NPT	

¹⁾ Please specify flow direction in writing.

²⁾ Please specify cable length in writing.

12. Dimensions

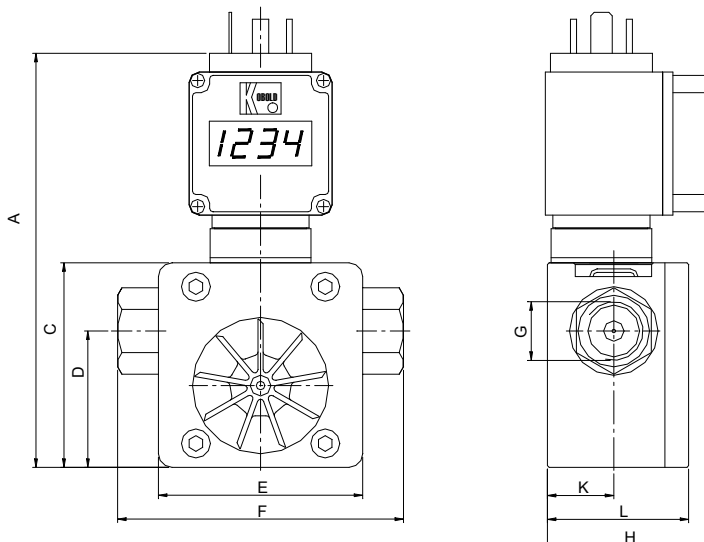
Model: DRH-...L3.. / DRH-..F3..



G/NPT	A	C	D	E	F	H	K	L
3/8	108,0	60	40	60	84	12,5	19,5	41,5
1	118,0	70	42	70	110	15,8	22,5	53

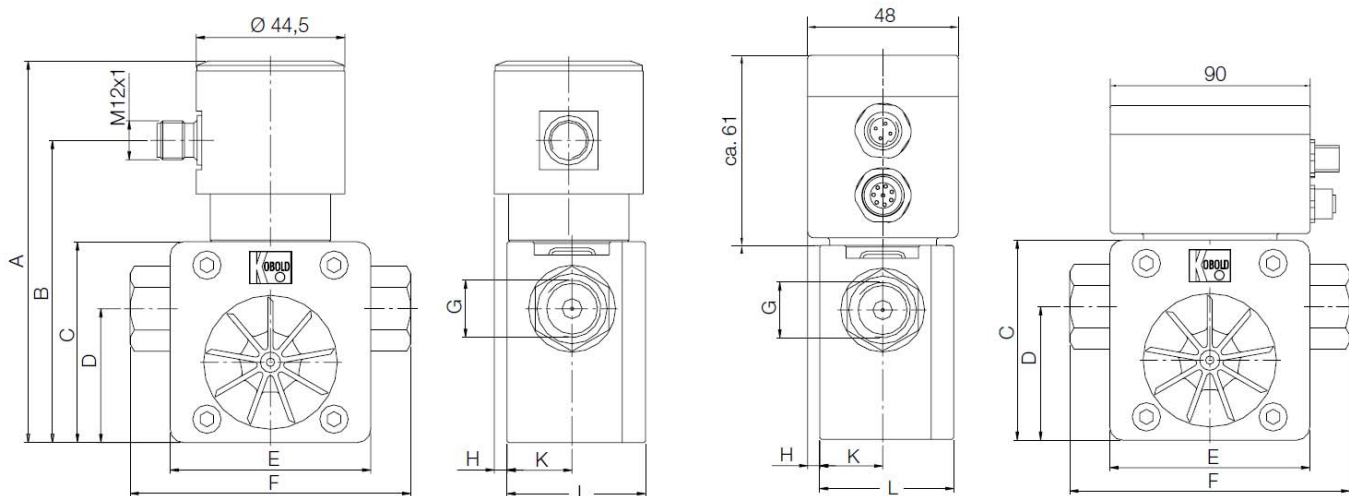
Model: DRH-..L4..

(with analogue output and plug-on display option)



G/NPT	A	B	C	D	E	F	H	K	L
3/8	121,5	-	60	40	60	84	47,5	19,5	41,5
1	131,5	-	70	42	70	110	-	22,5	53

Model: DRH--C.. (with compact electronics)



G	A	B	C	D	E	F	H	K	L
3/8	114	90.3	60	40	60	84	3.8	19.5	41.5
1	124	100.3	70	42	70	110	1.8	22.5	53

13. EU Declaration of Conformance

We, KOBOLD-Messring GmbH, Hofheim-Ts, Germany, declare under our sole responsibility that the product:

Rotating Vane Flow Meter **model: DRH -...**

to which this declaration relates is in conformity with the standards noted below:

EN 61000-6-4:2011

Electromagnetic compatibility (EMC) - Part 6-4: Generic standards - Emission standard for industrial environments

EN 61000-6-2:2006

Electromagnetic compatibility (EMC) - Part 6-2: Generic standards - Immunity for industrial environments

EN 61010-1:2011

Safety requirements for electrical equipment for measurement, control and laboratory use - Part 1: General requirements

EN 60529:2014

Degrees of protection provided by enclosures (IP Code)

EN 50581:2012

Technical documentation for the assessment of electrical and electronic products with respect to the restriction of hazardous substances

Also, the following EC guidelines are fulfilled:

2014/30/EU	EMC Directive
2014/35/EU	Low Voltage Directive
2011/65/EU	RoHS (category 9)
2015/863/EU	Delegated Directive (RoHS III)

Hofheim, 07 Aug. 2019



H. Peters
General Manager



M. Wenzel
Proxy Holder