

MODEL NUMBER

DXP-E20BSEB

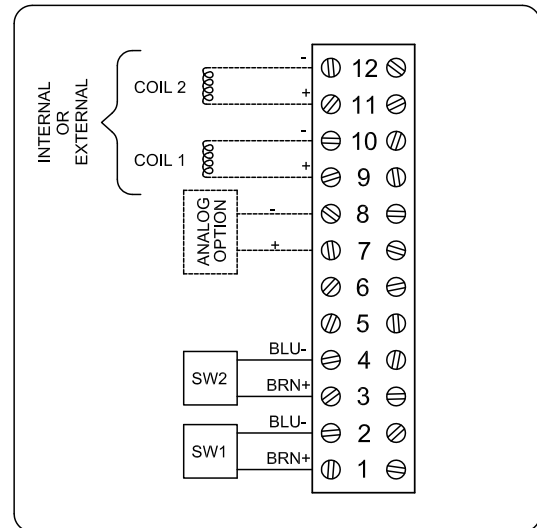
PRODUCT LINE

Switchbox DXP and DXS

SPECIFICATIONS

Enclosure	Tropicalized aluminum
Bus/Sensor	NJ2-V3-N
Area Classification	Intrinsically safe
Visual Display	90° Black OPEN, Yellow CLOSED
Shaft	1/4" DD 316 stainless steel
Conduit Entries	(2) 3/4" NPT
O-Rings	Buna-N
Pilot	No pilot device(s)
Spool Valve	No spool valve
Valve Cv	No valve Cv
Manual Override	No manual override
Regional Certification	No regional certification
N Switch	No N Switch

WIRING DIAGRAM



Current as of September 12, 2023 – Subject to change without notice.

NAMEPLATE



CI I Div 1, Grps A-D;
Type 4X; T4 - 50°C ≤ Ta ≤ 60°C
Ex ia IIC T* Gb; -60°C ≤ Ta ≤ +4°C
IP66/67

Intrinsically Safe - Ex ia / Sécurité Intrinsèque
Reference Internal Label for Switch Ratings and Temperatures;
Install per Control Drawing S-K136

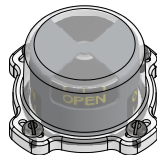
Model #:

Telemetering Equipment for use in Hazardous Locations
WARNING: Substitution of components may impair intrinsic safety. Disconnect power before servicing. The installer shall confirm which certified sub-assemblies are fitted and ensure conformance with the entry parameters in the appropriate conditions. Potential fire/hazard due to impact or friction.
AVERTISSEMENT: La substitution de composants peut compromettre la sécurité intrinsèque. Débranchez l'alimentation avant de procéder à l'entretien. L'installateur doit confirmer que sous-ensembles certifiés sont installés et garantir la conformité aux paramètres de l'étiquette dans le certificat approprié. Risque d'incendie ou à la friction.

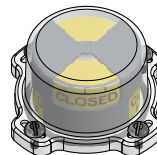
TOPWORX
Designed In Louisville, Kentucky, USA
Assembled in USA

Serial #:

OPEN



CLOSED



TOPWORX

3300 Fern Valley Road
Louisville, KY 40213

(502)969-8000 PH
(502)969-5911 FAX
www.topworx.com