

## MODEL NUMBER

DXP-E2CGSEB

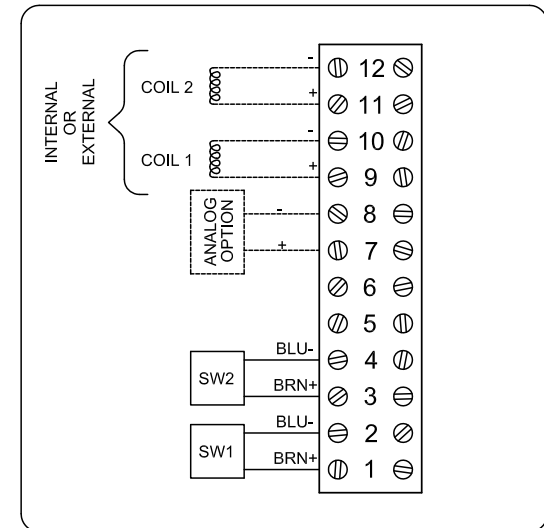
## PRODUCT LINE

Switchbox DXP and DXS

## SPECIFICATIONS

Enclosure	Tropicalized aluminum
Bus/Sensor	NJ2-V3-N
Area Classification	Flame proof
Visual Display	Standard 90° Green OPEN, Red CLOSED
Shaft	1/4" DD 316 stainless steel
Conduit Entries	(2) 3/4" NPT
O-Rings	Buna-N
Pilot	No pilot device(s)
Spool Valve	No spool valve
Valve Cv	No valve Cv
Manual Override	No manual override
Regional Certification	No regional certification
N Switch	No N Switch

## WIRING DIAGRAM



Current as of September 12, 2023 – Subject to change without notice.

## NAMEPLATE



Ex db IIC T6/T5/T4/T3 Gb; -50°C ≤ Ta ≤ 60°C/75°C/110°C/175°C  
IP66/67  
SWITCH: 3mA @ 8VDC NAMUR Output;

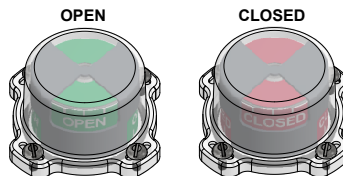


Telemetering Equipment for use in Hazardous Locations  
WARNING: Disconnect the power before servicing. Keep tightly closed during operation. Must be known to be non-hazardous area before servicing. Clean only with damp cloth.

**TOPWORX**  
Designed In Louisville, Kentucky, USA  
Assembled in USA

Model #:

Serial #:



**TOPWORX**

3300 Fern Valley Road  
Louisville, KY 40213

(502)969-8000 PH  
(502)969-5911 FAX  
www.topworx.com