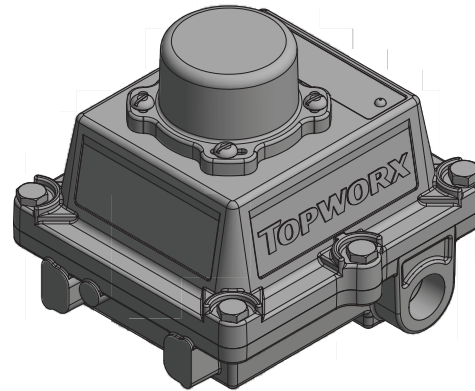
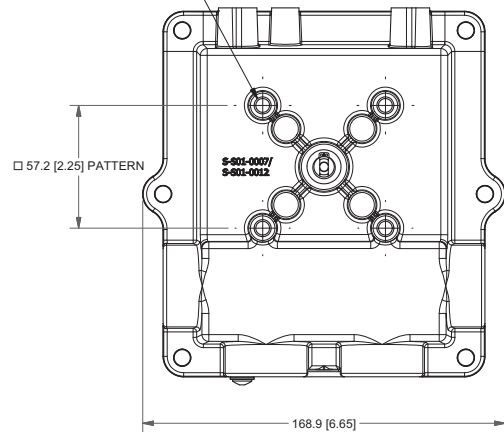


(4) 5/16-18 UNC-2B MOUNTING HOLES



MODEL NUMBER

DXP-E40GNMB

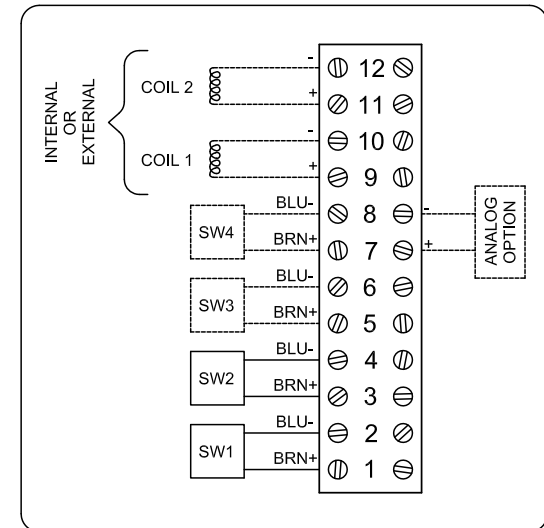
PRODUCT LINE

Switchbox DXP and DXS

SPECIFICATIONS

| | |
|------------------------|-------------------------------------|
| Enclosure | Tropicalized aluminum |
| Bus/Sensor | NJ2-V3-N |
| Area Classification | Intrinsically safe |
| Visual Display | Standard 90° Green OPEN, Red CLOSED |
| Shaft | NAMUR 316 stainless steel |
| Conduit Entries | (2) M20 |
| O-Rings | Buna-N |
| Pilot | No pilot device(s) |
| Spool Valve | No spool valve |
| Valve Cv | No valve Cv |
| Manual Override | No manual override |
| Regional Certification | No regional certification |
| N Switch | No N Switch |

WIRING DIAGRAM



Current as of September 12, 2023 – Subject to change without notice.

NAMEPLATE

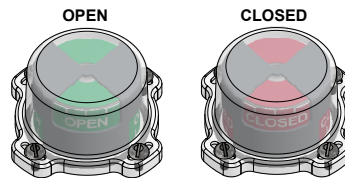


Telemetering Equipment for use in Hazardous Locations
WARNING: Substitution of components may impair intrinsic safety. Disconnect power before servicing. The installer shall confirm which certified sub-assemblies are fitted and ensure compliance with the entry parameters in the appropriate conditions. Potential fire/hazard due to impact or friction.
AVERTISSEMENT: Le substituer de composants peut compromettre la sécurité intrinsèque. Débranchez l'alimentation avant de procéder à l'entretien. L'installateur doit confirmer quels sous-ensembles certifiés sont installés et garantir la conformité aux paramètres de l'entrée dans le certificat approprié. Risque d'incendie ou à la friction.

CI I Div 1, Grps A-D;
 Type 4X; T4 -50 °C ≤ Ta ≤ 60 °C
 Ex ia IIC T+ Gb; -60 °C ≤ Ta ≤ +4 °C
 IP66/67
 Intrinsically Safe - Ex-ia / Sécurité Intrinsèque
 Reference Internal Label for Switch Ratings and Temperatures;
 Install per Control Drawing S-K136

TOPWORX
 Designed In Louisville, Kentucky, USA
 Assembled in USA

Serial #:



TOPWORX

3300 Fern Valley Road
 Louisville, KY 40213

(502)969-8000 PH
 (502)969-5911 FAX
 www.topworx.com