

MODEL NUMBER

DXP-FL1GSEB

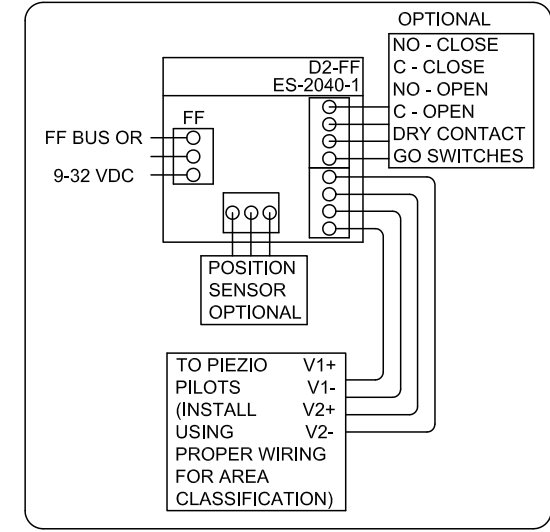
PRODUCT LINE

Switchbox DXP and DXS

SPECIFICATIONS

Enclosure	Tropicalized aluminum
Bus/Sensor	Foundation Fieldbus w/ (2) GO™ Switches SPDT
Area Classification	Explosionproof/flameproof
Visual Display	Standard 90° Green OPEN, Red CLOSED
Shaft	1/4" DD 316 stainless steel
Conduit Entries	(2) 3/4" NPT
O-Rings	Buna-N
Pilot	No pilot device(s)
Spool Valve	No spool valve
Valve Cv	No valve Cv
Manual Override	No manual override
Regional Certification	No regional certification
N Switch	No N Switch

WIRING DIAGRAM



NAMEPLATE



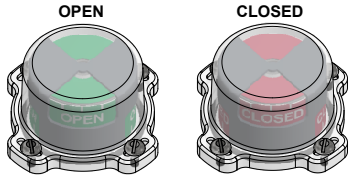
Telemetering Equipment for use in Hazardous Locations
WARNING: Disconnect the power before servicing. Keep tightly closed during operation. Must be known to be non-hazardous area before servicing. Clean only with a damp cloth.
AVERTISSEMENT: Débranchez l'alimentation avant l'entretien. Conserver hermétiquement fermé pendant le fonctionnement. Doivent être connus pour être des zones non dangereuses avant l'entretien. Nettoyer uniquement avec un chiffon humide.

CI I Div 1, Grps C-D;
 Type 4X; T6-50°C ≤ Ta ≤ 60°C
 Ex db IIB + H; T6/T5/T4/T3 Gb; -50°C ≤ Ta ≤ 60°C/75°C/110°C/175°C
 IP66/67
 BUS: 9-32VDC, 20mA

TOPWORX
 Designed In Louisville, Kentucky, USA
 Assembled in USA

Model #:

Serial #:



Current as of September 12, 2023 – Subject to change without notice.

TOPWORX
 3300 Fern Valley Road
 Louisville, KY 40213

(502)969-8000 PH
 (502)969-5911 FAX
 www.topworx.com