

MODEL NUMBER

DXP-L20BNEB2A2

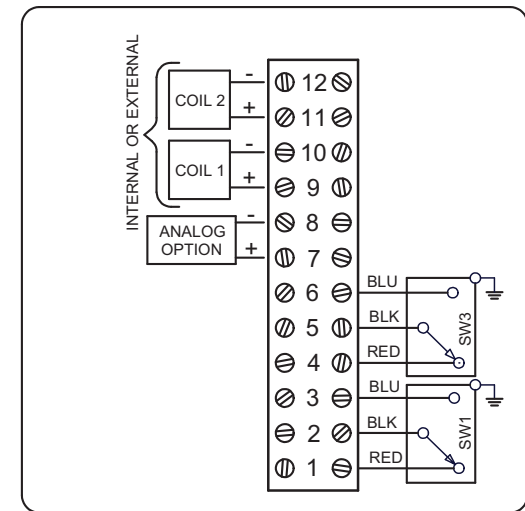
PRODUCT LINE

Switchbox DXP and DXS

SPECIFICATIONS

Enclosure	Tropicalized aluminum
Bus/Sensor	(2) GO™ Switches SPDT hermetic seal
Area Classification	Intrinsically safe
Visual Display	90° Black OPEN, Yellow CLOSED
Shaft	NAMUR 316 stainless steel
Conduit Entries	(2) 3/4" NPT
O-Rings	Buna-N
Pilot	(2) 24Vdc pilots, fail last position - ASCO
Spool Valve	Aluminum hard coat anodized - ASCO
Valve Cv	1.06Cv (1/4" NPT Ports)
Manual Override	No manual override
Regional Certification	No regional certification
N Switch	No N Switch

WIRING DIAGRAM



Current as of September 12, 2023 – Subject to change without notice.

NAMEPLATE



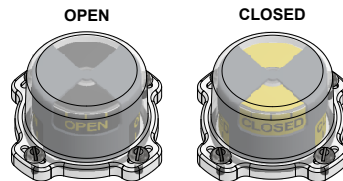
Telemetry Equipment for use in Hazardous Locations
WARNING: Substitution of components may impair intrinsic safety. Disconnect power before servicing. The installer shall confirm which certified sub-assemblies are fitted and ensure compliance with the entry parameters in the appropriate conditions. Potential ignition hazard due to impact or friction.
AVERTISSEMENT: La substitution de composants peut compromettre la sécurité intrinsèque. Débranchez l'alimentation avant de procéder à l'entretien. L'installateur doit confirmer quelle sous-ensembles certifiés sont installés et garantir la conformité aux paramètres de l'entrée dans le certificat approprié. Risque d'incendie dû à l'impact ou à la friction.

CI I Div 1, Grps A-D;
 Type 4X; T4 -50°C ≤ Ta ≤ 60°C
 Ex ia IIC T4 Gb; -40°C ≤ Ta ≤ 82°C
 IP66
 Intrinsically Safe - Ex ia / Sécurité Intrinsèque
 Install per Control Drawing S-K127 and S-K127A

TOPWORX
 Designed In Louisville, Kentucky, USA
 Assembled in USA

Model #:

Serial #:



TOPWORX

3300 Fern Valley Road
 Louisville, KY 40213

(502)969-8000 PH
 (502)969-5911 FAX
 www.topworx.com