

MODEL NUMBER

DXP-L21GNEB1A2

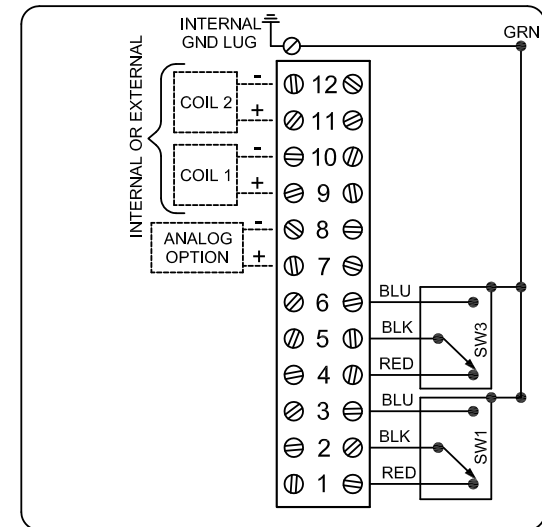
PRODUCT LINE

Switchbox DXP and DXS

SPECIFICATIONS

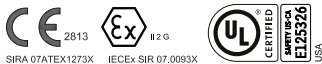
Enclosure	Tropicalized aluminum
Bus/Sensor	(2) GO™ Switches SPDT hermetic seal
Area Classification	Explosionproof/flameproof
Visual Display	Standard 90° Green OPEN, Red CLOSED
Shaft	NAMUR 316 stainless steel
Conduit Entries	(2) 3/4" NPT
O-Rings	Buna-N
Pilot	(1) 24Vdc pilot, fail open/closed - ASCO
Spool Valve	Aluminum hard coat anodized - ASCO
Valve Cv	1.06Cv (1/4" NPT Ports)
Manual Override	No manual override
Regional Certification	No regional certification
N Switch	No N Switch

WIRING DIAGRAM



Current as of January 4, 2021 – Subject to change without notice.

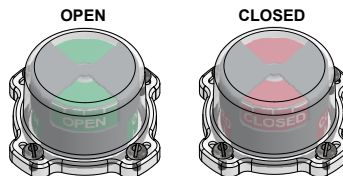
NAMEPLATE



Cl I Div 1, Grps C-D; Cl I Div 2, Grps A-D;
 Type 4X; T4-50°C; Ta ≤ 60°C
 Ex db IIB + H; T6/T5/T4/T3 Gb; -50°C; Ta ≤ 60°C/75°C/110°C/175°C
 IP66
 SWITCH: SPDT 4A/120VAC; 3A/24VDC Hermetically Sealed
 PILOT: 24 VDC

Telemetering Equipment for use in Hazardous Locations
WARNING: Disconnect the power before servicing. Keep tightly closed during operation. Must be known to be non-hazardous area before servicing. Clean only with a damp cloth.
AVERTISSEMENT: Débranchez l'alimentation avant l'entretien. Conserver hermétiquement fermé pendant le fonctionnement. Doivent être connus pour être des zones non dangereuses avant l'entretien. Nettoyer uniquement avec un chiffon humide.

TopWorx
 3300 Fern Valley Road
 Louisville, KY 40213 USA
 www.topworx.com



Model #:

Serial #:

TOPWORX

3300 Fern Valley Road
 Louisville, KY 40213

(502)969-8000 PH
 (502)969-5911 FAX
 www.topworx.com