

**MODEL NUMBER**

**DXP-L310SEB**

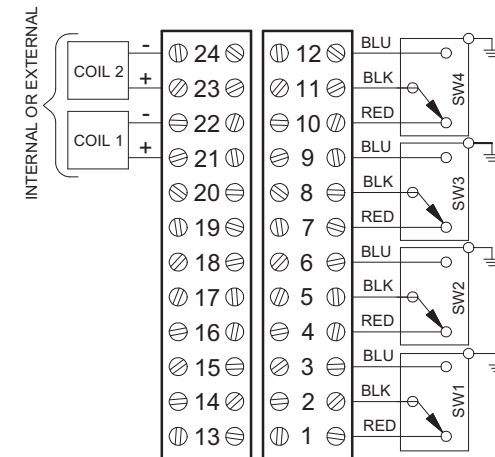
**PRODUCT LINE**

**Switchbox DXP and DXS**

**SPECIFICATIONS**

Enclosure	Tropicalized aluminum
Bus/Sensor	(3) GO™ Switches SPDT
Area Classification	Explosionproof/flameproof
Visual Display	No indicator
Shaft	1/4" DD 316 stainless steel
Conduit Entries	(2) 3/4" NPT
O-Rings	Buna-N
Pilot	No pilot device(s)
Spool Valve	No spool valve
Valve Cv	No valve Cv
Manual Override	No manual override
Regional Certification	No regional certification
N Switch	No N Switch

**WIRING DIAGRAM**



**NAMEPLATE**



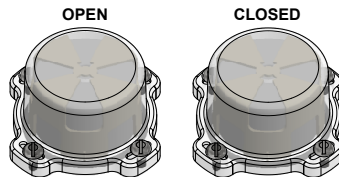
Telemetering Equipment for use in Hazardous Locations  
**WARNING:** Disconnect the power before servicing. Keep tightly closed during operation. Must be known to be non-hazardous area before servicing. Clean only with a damp cloth.  
**AVERTISSEMENT:** Débranchez l'alimentation avant l'entretien. Conserver hermétiquement fermé pendant le fonctionnement. Doivent être connus pour être des zones non dangereuses avant l'entretien. Nettoyer uniquement avec un chiffon humide.

CI I Div 1, Grps C-D; CI I Div 2, Grps A-D; CI II Div 2, Grps F-G  
 Type 4X; T4 - 50°C ≤ Ta ≤ 60°C  
 Ex db IIB + H; T6/T5/T4/T3 Gb; -50°C ≤ Ta ≤ 60°C/75°C/110°C/175°C  
 IP66/67  
 SWITCH: SPDT 4A/120VAC; 3A/24VDC Hermetically Sealed;

**TOPWORX**  
 Designed In Louisville, Kentucky, USA  
 Assembled in USA

Model #:

Serial #:



Current as of September 12, 2023 – Subject to change without notice.

**TOPWORX**  
 3300 Fern Valley Road  
 Louisville, KY 40213

(502)969-8000 PH  
 (502)969-5911 FAX  
 www.topworx.com