

MODEL NUMBER

DXP-LXGGNEB

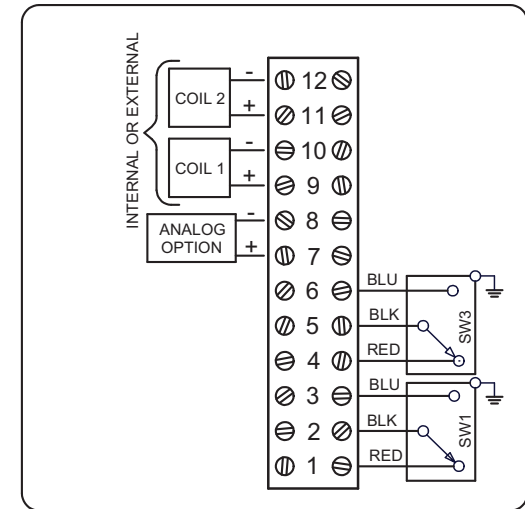
PRODUCT LINE

Switchbox DXP and DXS

SPECIFICATIONS

Enclosure	Tropicalized aluminum
Bus/Sensor	4-20mA transmitter w/ GO™ Switch SPDT
Area Classification	General purpose
Visual Display	Standard 90° Green OPEN, Red CLOSED
Shaft	NAMUR 316 stainless steel
Conduit Entries	(2) 3/4" NPT
O-Rings	Buna-N
Pilot	No pilot device(s)
Spool Valve	No spool valve
Valve Cv	No valve Cv
Manual Override	No manual override
Regional Certification	No regional certification
N Switch	No N Switch

WIRING DIAGRAM



Current as of September 12, 2023 – Subject to change without notice.

NAMEPLATE



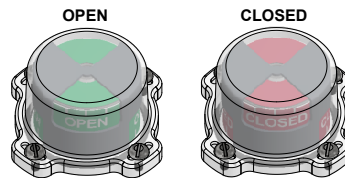
TOPWORX
INDUSTRIAL CONTROL EQUIPMENT

Type 4X: 0°C ≤ Ta ≤ 35°C
General Purpose
SWITCH: SPDT 4A/120VAC; 3A/24VDC Hermetically Sealed;
4-20mA LOOP: 8.5 to 34VDC, 20mA

TOPWORX
Designed In Louisville, Kentucky, USA
Assembled in USA

Model #:

Serial #:



TOPWORX

3300 Fern Valley Road
Louisville, KY 40213

(502)969-8000 PH
(502)969-5911 FAX
www.topworx.com