

MODEL NUMBER

DXP-M21GSMB

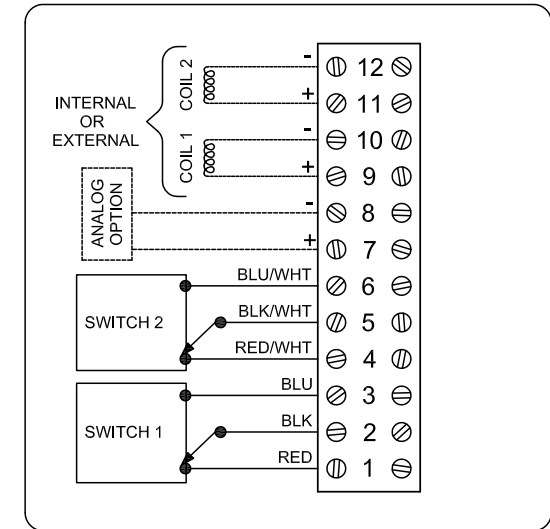
PRODUCT LINE

Switchbox DXP and DXS

SPECIFICATIONS

Enclosure	Tropicalized aluminum
Bus/Sensor	(2) Mechanical SPDT
Area Classification	Explosionproof/flameproof
Visual Display	Standard 90° Green OPEN, Red CLOSED
Shaft	1/4" DD 316 stainless steel
Conduit Entries	(2) M20
O-Rings	Buna-N
Pilot	No pilot device(s)
Spool Valve	No spool valve
Valve Cv	No valve Cv
Manual Override	No manual override
Regional Certification	No regional certification
N Switch	No N Switch

WIRING DIAGRAM



Current as of September 12, 2023 – Subject to change without notice.

NAMEPLATE



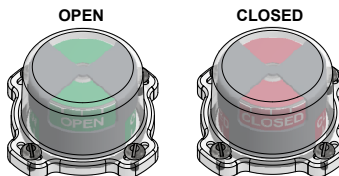
Telemetering Equipment for use In Hazardous Locations
WARNING: Lead seal required within 18 inches of enclosure. Disconnect the power before servicing. Keep tightly closed during operation. Must be known to be non-hazardous area before servicing. Clean only with damp cloth.
AVERTISSEMENT: Au sein de 18 pouces, un sceau en plomb est nécessaire. Débranchez l'alimentation avant l'entretien. Conservez hermétiquement fermé pendant le fonctionnement. Doivent être connus pour être des zones non dangereuses avant l'entretien.

CI I Div 1, Grps C-D;
 Type 4X; T4 -50°C ≤ Ta ≤ 60°C
 Ex db IIB + H; T6/T5/T4/T3 Gb; -50°C ≤ Ta ≤ 60°C/75°C/110°C/175°C
 IP66/67
 SWITCH: SPDT 15A/125VAC, 250VAC;

TOPWORX
 Designed In Louisville, Kentucky, USA
 Assembled in USA

Model #:

Serial #:



TOPWORX

3300 Fern Valley Road
 Louisville, KY 40213

(502)969-8000 PH
 (502)969-5911 FAX
 www.topworx.com