

MODEL NUMBER

DXP-M2CGSEB1A21K

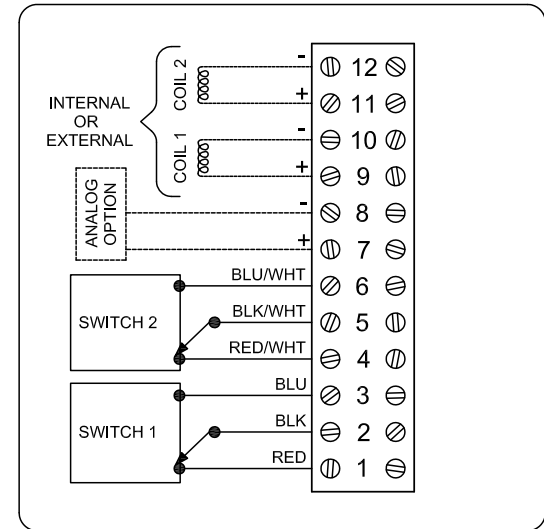
PRODUCT LINE

Switchbox DXP and DXS

SPECIFICATIONS

Enclosure	Tropicalized aluminum
Bus/Sensor	(2) Mechanical SPDT
Area Classification	Flame proof
Visual Display	Standard 90° Green OPEN, Red CLOSED
Shaft	1/4" DD 316 stainless steel
Conduit Entries	(2) 3/4" NPT
O-Rings	Buna-N
Pilot	(1) 24Vdc pilot, fail open/closed - ASCO
Spool Valve	Aluminum hard coat anodized - ASCO
Valve Cv	1.06Cv (1/4" NPT Ports)
Manual Override	Single pushbutton momentary/latching
Regional Certification	KOSHA
N Switch	No N Switch

WIRING DIAGRAM



Current as of September 12, 2023 – Subject to change without notice.

NAMEPLATE



19-GA4BG-0180X

Ex d IIC T6/T5/T4/T3 -50°C ≤ Ta ≤ 60°C/75°C/110°C/175°C
 IP66
 SWITCH: SPDT 15A/125VAC, 250VAC;
 PILOT: 24 VDC



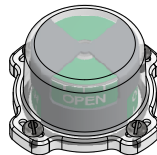
Telemetering Equipment for use in Hazardous Locations
WARNING: Disconnect the power before servicing. Keep tightly closed during operation. Must be known to be non-hazardous area before servicing. Clean only with damp cloth.

TOPWORX
 Designed In Louisville, Kentucky, USA
 Assembled in USA

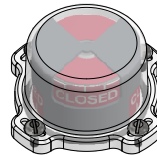
Model #:

Serial #:

OPEN



CLOSED



TOPWORX

3300 Fern Valley Road
 Louisville, KY 40213

(502)969-8000 PH
 (502)969-5911 FAX
 www.topworx.com