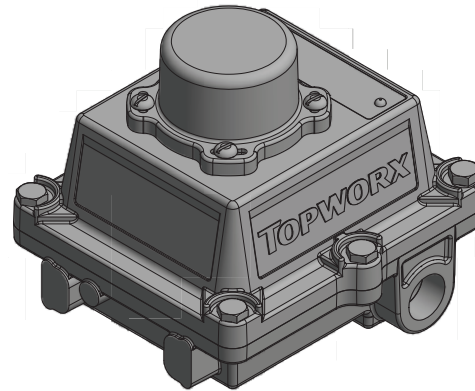
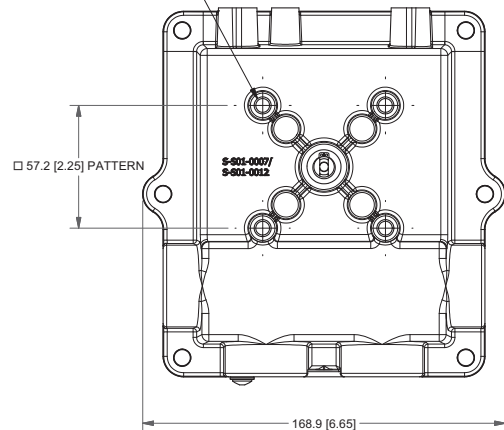


(4) 5/16-18 UNC-2B MOUNTING HOLES



MODEL NUMBER

DXP-Z2WGNEB

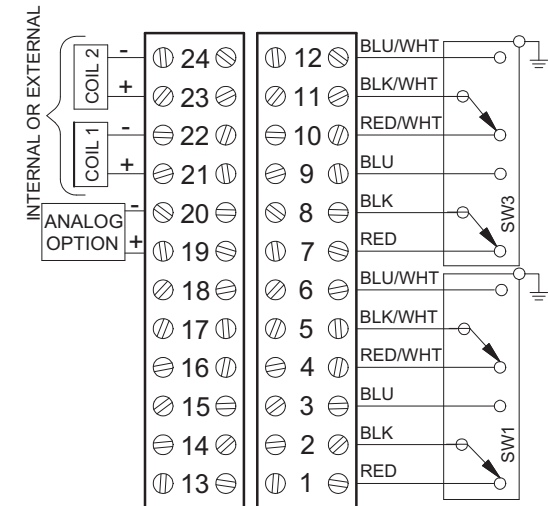
PRODUCT LINE

Switchbox DXP and DXS

SPECIFICATIONS

Enclosure	Tropicalized aluminum
Bus/Sensor	(2) GO™ Switches DPDT hermetic seal
Area Classification	No approvals
Visual Display	Standard 90° Green OPEN, Red CLOSED
Shaft	NAMUR 316 stainless steel
Conduit Entries	(2) 3/4" NPT
O-Rings	Buna-N
Pilot	No pilot device(s)
Spool Valve	No spool valve
Valve Cv	No valve Cv
Manual Override	No manual override
Regional Certification	No regional certification
N Switch	No N Switch

WIRING DIAGRAM



Current as of September 19, 2023 – Subject to change without notice.

NAMEPLATE

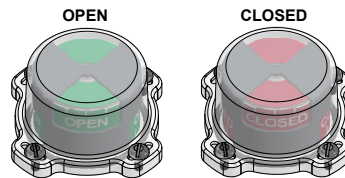


Type 4X:
IP66/67



TOPWORX
INDUSTRIAL CONTROL EQUIPMENT

TOPWORX
Designed In Louisville, Kentucky, USA
Assembled in USA



Model #:

Serial #:

TOPWORX

3300 Fern Valley Road
Louisville, KY 40213

(502)969-8000 PH
(502)969-5911 FAX
www.topworx.com