

Compact Pressure Switch

Series **CSP**

Features

- ▶ Compact size
- ▶ Multiple electrical connections
- ▶ SPDT or SPST
- ▶ Factory preset or field adjustable
- ▶ 3-7 psi to 25-150 psi

Applications

- ▶ Hydraulic power units
- ▶ General industrial applications
- ▶ Machine tools
- ▶ Pneumatic systems



General Specifications*

Accuracy:	+/- 3% of full set point range
Switch:	SPDT or SPST
Wetted Parts:	Nitrile (Optional Viton & EPDM) Diaphragm; Brass fitting
Electrical Connection:	Free Leads – 18" DIN #43650A 1/4 Spades Deutsch 2 pins DT04-2P Deutsch 2 pins DT04-3P Weatherpak 2 Pins WPT-2 Weatherpak 3 Pins WPT-3
Enclosure Ratings:	DIN 43650A-IP65, Terminals – IP00
Approvals:	cURus UL recognized components evaluated to industrial control equipment standards UL508 & Canadian standard CSA C22.2, No. 14

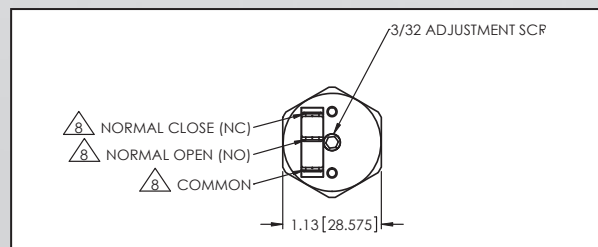
Process Connection:	1/4" NPT 1/8" NPT 7/16-20 SAE G 1/4 9/16-18 SAE
Temperature Range:	-20°F to 176°F (-29°C to 80°C) UL max. ambient temperature 131°F (55°C)
Adjustment Instructions: Pressure Setpoint:	Turn 3/32" allen wrench adjustment screw clockwise to increase pressure; counterclockwise to decrease pressure
Shipping Weight:	0.26 lbs (0.12 Kg.)

* See product configurator for additional options.

Wiring Code

CONTACTS	FREE LEADS	DIN CONNECTION	1/4 SPADE TERMINALS	DEUTSCH (PLUG)	WEATHER PACK (FEMALE)*
COMMON	BLACK	PIN 1		PIN A	PIN A
NORMALLY OPEN	RED	PIN 3		PIN B	PIN B
NORMALLY CLOSED	BLUE	PIN 2		PIN C	PIN C

* Not UL rated



Barksdale
CONTROL PRODUCTS

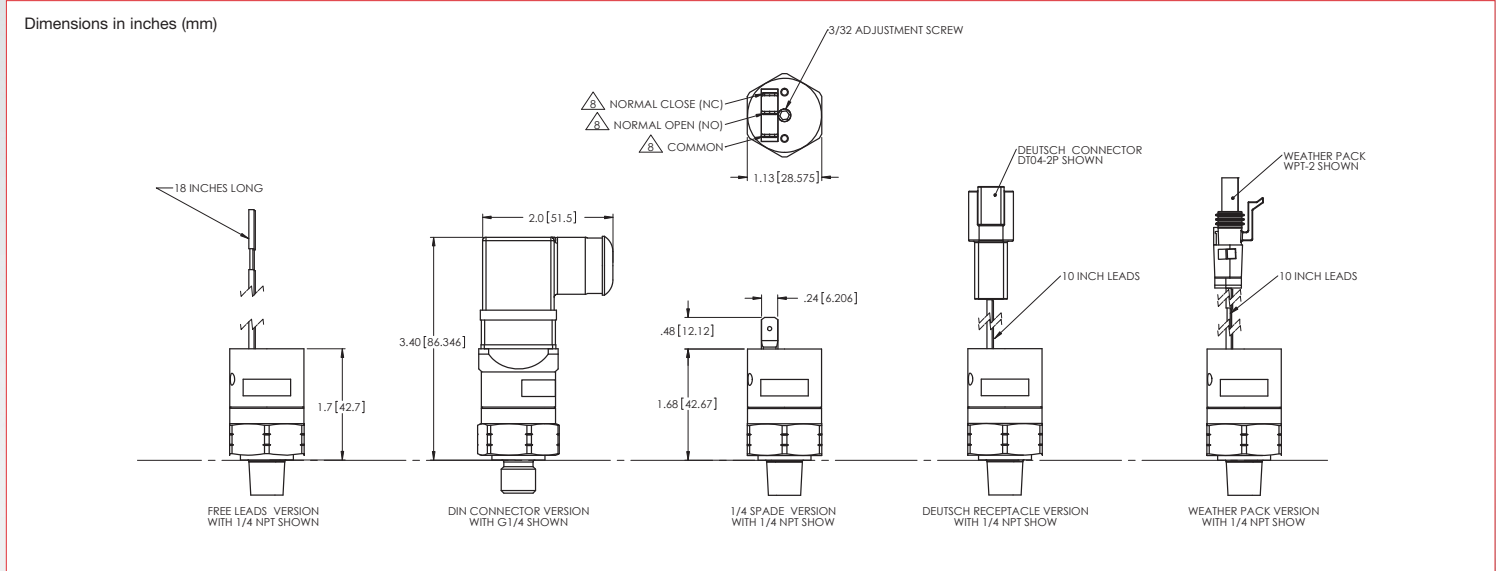
Barksdale, Inc./Barksdale GmbH
A Subsidiary of Crane Co.



Compact Pressure Switch

Series CSP

Technical Drawing



Product Configurator

Example	CSP1	1	-2	1	-2	1	B	
---------	------	---	----	---	----	---	---	--

Base Model/Basic Configuration

CSP1	Field Adjustable
CSP2	Factory Set

Pressure Range

Range	Adjustable Range	Approx. Deadband (Actuation Value)	Max. Proof Pressure
	psi (bar)	psi (bar)	psi (bar)
1	3 - 7 (.21 - .48)	.5 - 1.2 (.03 - .08)	350 (24)
2	5 - 30 (.32 - 2.07)	1 - 2.5 (.07 - .17)	350 (24)
3	25 - 150 (1.72 - 10.3)	2 - 10 (.14 - .69)	350 (24)
Blank	Factory Set Only (CSP2)		

Limit Switch

-1	SPST, N.O.
-2	SPST, N.C.
-3	SPDT

Current Rating

1	5A @ 125 VAC
2	10A @ 125 VAC, 6A @ 250VAC
3*	20 mA @ 12 VDC

Process Fitting Size

-1	1/4" NPT
-2	1/8" NPT
-3	7/16-20 SAE
-4	G 1/4 (No O-ring)
-5	9/16-18 SAE

Set Point

-XXX	Set point (not required for field adjustable)
R	Rising Pressure (PSIG)
F	Falling Pressure (PSIG)

Diaphragm Material

B	Buna-N
V	Viton
E	EPDM

Electrical Connection

1	Free Leads - 18"
2 ²	DIN #43650A
3	1/4 Spades
4 ¹	Leads w/ Deutsch 2 pins DT04-2P
5 ²	Leads w/ Deutsch 3 pins DT04-3P
6 ^{1*}	Leads w/ Weatherpak 2 pins WPT-2
7 ^{2*}	Leads w/ Weatherpak 3 pins WPT-3

Notes:

¹ SPST Models only

² SPDT Models only

* Not UL rated

NOTE: Depending on the rate of change in pressure for certain applications, an intermittent condition may occur across the set point.

3211 Fruitland Avenue • Los Angeles, CA 90058 • ☎ 800-835-1060 • Fax: 323-589-3463 • www.barksdale.com

Barksdale
CONTROL PRODUCTS

See Barksdale's Standard Conditions of Sale • Specifications are subject to modification at any time • Bulletin #S0109-D • 5/15 • ©2015 • Printed in the U.S.A.