

Electronic Pressure Switch

UDS1V2

Features

- ▶ Teach & Go
- ▶ Compact construction
- ▶ Housing 320° rotatable
- ▶ 1 or 2 outputs
- ▶ Adjustable hysteresis¹

Applications

- ▶ OEM applications in hydraulic and pneumatic systems
- ▶ Press construction
- ▶ Lubricant monitoring, apparatus engineering
- ▶ Machine/machine tool industry
- ▶ Automobile industry
- ▶ Injection molding machines



General Specifications*

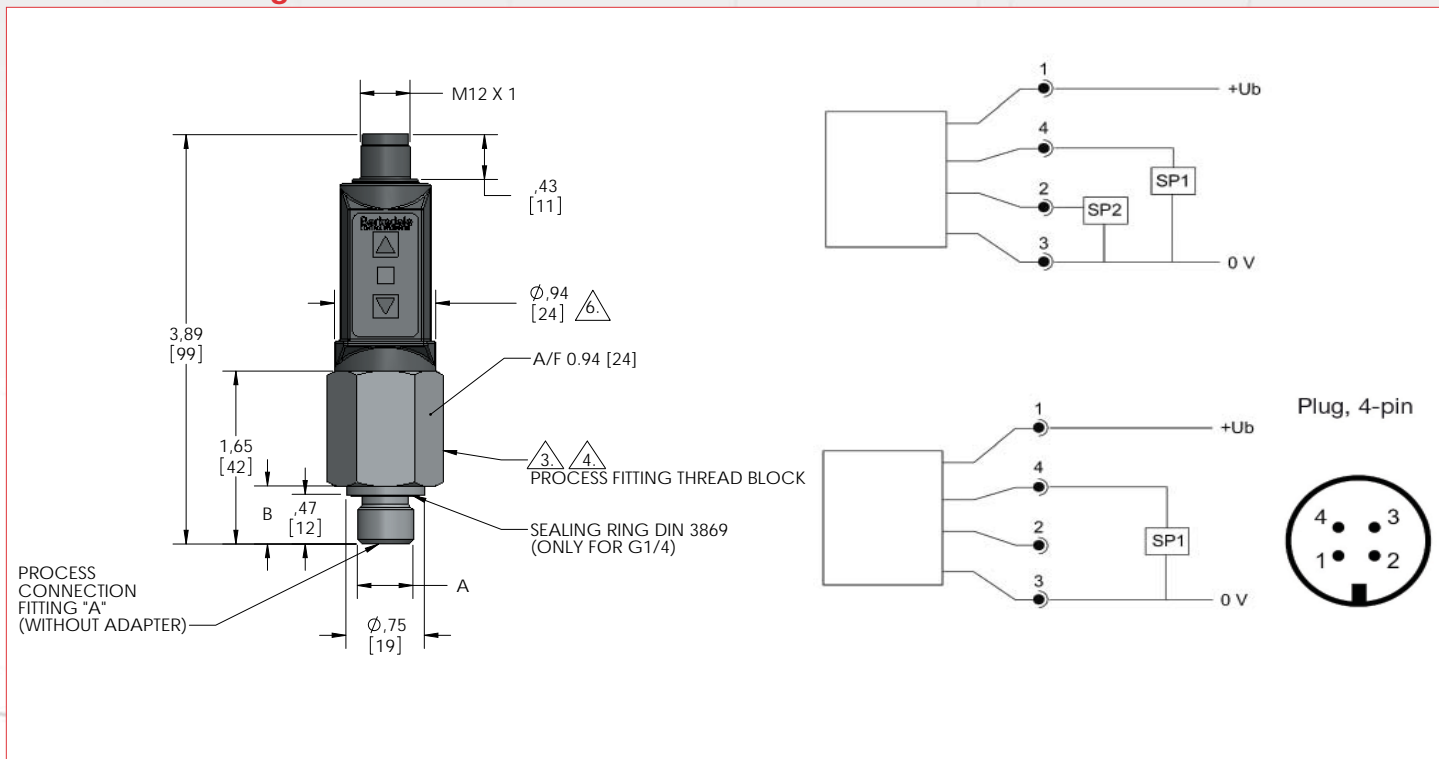
Sensor element:	Piezoresistive silicon or ceramic measuring cell
Materials: Wetted parts: Electronics housing: Seals:	Steel, pass., Al2O3 PA 6.6 Viton® (FKM)
Operating elements:	2 easy response push buttons
System of protection:	IP65
Protection class:	III
Process connection:	1/4" NPT, G1/4, 7/16-20 37° JIC
Dimensions:	Approx. Ø 1.0" x 3.9" (without plug connector)
Measuring ranges:	0 to 150 to 0 to 9000 PSI 0 to 10 bar to 0 to 600 bar
Proof Pressure:	1.5 times rated pressure
Electrical connection:	Plug M12x1, 4-pin

Temperature influence:	± 0.2 % f.s./10K
Compensation range:	14°F to 158°F (-10 °C to +70 °C)
Repeatability:	+/- 1 % f.s.
Temperature range: Medium: Electronics: Storage:	-13°F to 212°F (-25 °C to +100 °C) -13°F to 176°F (-25 °C to +80 °C) -22°F to 176°F (-30 °C to +80 °C)
Power supply:	15 to 32 V DC, reversed polarity protected (SELV, PELV)
Transistor switching outputs PNP: Adjustment range for switching point ¹	0 % to 100 % f.s. Max. 100 Hz Max. 200 mA, short-circuit proof
Vibration:	10 g/20 to 2000 Hz
Shock:	100 g/11 ms

Note 1: Only 1SP version (2SP version 15% hysteresis)

* See Product Configurator for additional options.

Technical Drawing



Product Configurator

Example	UDS1V2	-05	-N	-2
---------	--------	-----	----	----

Pressure Ranges

-05	0-150 psi
-11	0-1500 psi
-16	0-6000 psi
-32	0-9000 psi

Process Connection

-N	1/4" NPT
-G	G1/4
-P3	7/16-20 37° JIC

Options

-1	Single switch w/ adjustable hysteresis
-2	Dual switch w/ ~15% hysteresis