

## Subplate Mounted Heavy Duty Valve

**Series 3760**

Patent # 2.696.219

### Features

- ▶ Original Shear-Seal® technology
- ▶ Convenient sub-plate manifold mounting
- ▶ Low pressure drop
- ▶ High velocity flow
- ▶ Tolerates contaminants
- ▶ Low handle load at high pressures

### Applications

- ▶ Steel mills
- ▶ Shipboard hydraulic control systems
- ▶ Refineries and chemical processing plants
- ▶ Power generation facilities

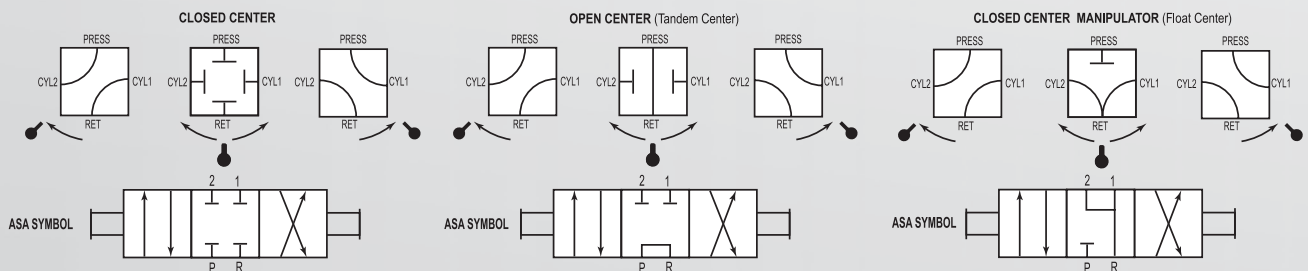


### General Specifications\*

<b>Working Pressure:</b>	Hydraulic oil or lubricated water up to 4,500 psi (310 bar)
<b>Flow Capacity, Cv:</b>	See table
<b>Back Pressure:</b>	Must not exceed 250 psi (17.2 Bar) at return port for satisfactory operation
<b>Pressure Drop:</b>	14 psi (0.96 bar) at 20 ft/sec * See Supplemental Guide for more detailed information
<b>Proof Pressure:</b>	1-1/2 times working pressure except at return port
<b>Burst Pressure:</b>	2-1/2 times working pressure except at return port (3,000 psi [206 bar])
<b>Media Temperature Range:</b>	-40° to +250°F (-40° to +121°C)

<b>Wetted Material:</b>	
Rotor:	400 series stainless steel
Pressure Seals:	Stainless steel
Shaft:	Stainless steel
Body:	Bronze
Housing:	Ductile iron
Standard O-rings:	Buna N, others available
Back-up Rings:	PTFE

\* See product configurator for additional options.

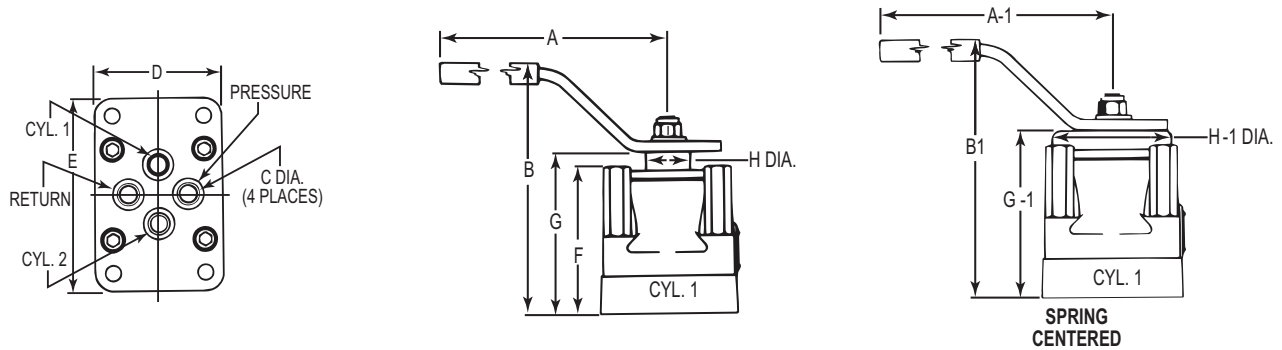


	Main Valve Port Size	Flow Capacity (Approx.)			Min. Flow Passage Dia.	Cv Factor	Approx. Shipping Weight lbs (kgs)
		Service: Oil and Lubricated Water					
		20 ft/sec gpm (l/min)	40 ft/sec gpm (l/min)	60 ft/sec gpm (l/min)			
3760 Series Valve	1/2"	9 (34)	19 (72)	28 (106)	7/16"	3.20	9.5 (4.3)
	1"	25 (95)	50 (189)	75 (284)	23/32"	9.20	25 (11.3)
	1-1/2"	57 (217)	114 (433)	171 (650)	1-3/32"	21.00	53 (24)

# Subplate Mounted Heavy Duty Valve

**Series 3760**

## Technical Drawings



Valve Dimensions - inches (mm)

Size	A	A-1	B	B-1	C	D	E	F	G	G-1	H	H-1
1/2"	7.00 (178)	9.00 (229)	5.81 (148)	6.06 (154)	0.47 (12)	3.44 (87)	5.44 (138)	3.56 (90)	3.94 (100)	4.06 (103)	1.06 (27)	2.63 (67)
1"	10.0 (254)	14.0 (356)	7.63 (194)	8.81 (224)	0.75 (19)	4.75 (121)	6.88 (175)	4.81(122)	5.13 (130)	6.19 (157)	1.25 (32)	3.56 (90)
1-1/2"	12.00 (305)	14.0 (356)	8.75 (222)	10.0 (254)	1.25 (32)	6.81 (173)	9.38 (238)	5.94 (151)	6.25 (159)	7.5 (191)	1.25 (32)	3.56 (90)

## Product Configurator

Example: 376 5 M 3 W C 3

### Series

376 Basic 376 series valve

### Port Size

3 1/2" NPT ports  
 5 1" NPT ports  
 7 1-1/2" NPT ports

### Style

M Manifold porting

### Pressure Range

3 3,000 psi lubricated water or hydraulic oil

### Working Media

W Lubricated water or hydraulic

### Flow Pattern

C Closed center  
 O Open center (tandem center)  
 Q Closed center manipulator

### Position

3 3-position

### Options

See Supplemental Guide for complete list

### Options

-MC Spring centering \*  
 -H 4,500 psi rated

\* For 1" ported valve pressure rating 1,500 psi  
 Not available on 1-1/2" ported valves