

Valves

Microtorque® Valve

518, 526 Series

Features

- ▶ Original Shear-Seal® technology
- ▶ Compact design
- ▶ Non-interflow option
- ▶ Spring return option
- ▶ Multiple handle types
- ▶ 2 or 3 position detent

Applications

- ▶ Work holding clamps and systems
- ▶ Hydraulic presses and lifting systems
- ▶ Hydraulic test equipment
- ▶ Grease injection equipment
- ▶ Hydraulic power units



General Specifications*

Media:	Hydraulic oil
Working Pressure:	6,000 psi (415 bar) **
Flow Capacity, Cv:	See table
Back Pressure:	Must not exceed 250 psi (17.2 bar)*** at return port for satisfactory operation
Proof Pressure:	1-1/2 times working pressure except at return port
Burst Pressure:	2-1/2 times working pressure except at return port
Media Temperature Range:	-40° to +250°F (-40° to +121°C)
Porting:	1/4" NPT, SAE for 1/4" tubing, or DO3 pattern for manifold mounting
Panel Mounting:	Panel mounting nut (-P option)
Manifold Mounting:	ISO 4401-03 mounting pad DO3 Manifold mounting shipped with (4) #10-24 screws and O-Rings
Handle Rotation:	90°; 45° each side of center position

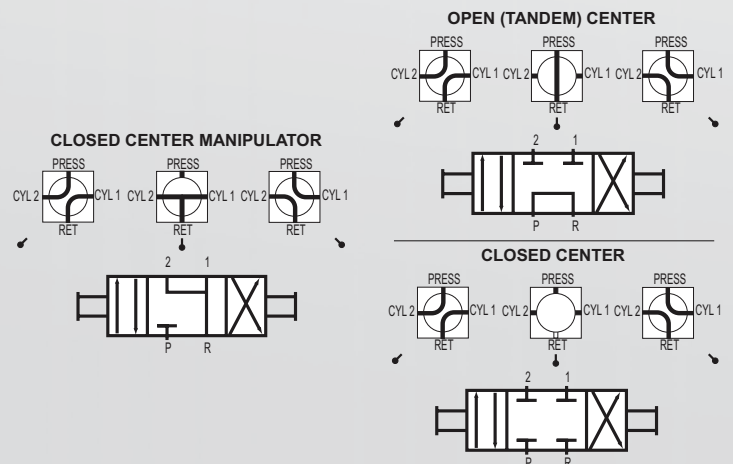
Detent:	2-position: Detent at 90° positions
	3-position: Detents at center and 2 extreme positions
Optional Spring Return:	Available to center or either shifted position 5,000 psi (345 bar) max working pressure on spring return option
Body & Housing:	Anodized aluminum
Shaft, Rotor, Pressure Seals:	400 series stainless steel
Standard O-Rings:	Buna N, others available
Back-up Rings:	PTFE
Bearings:	Hardened steel
Shipping Weight:	.95 lbs

* See product configurator for additional options.

** Consult factory for pressure up to 10,000 psi (690 bar)

*** For requirements in excess of 250 psi (17.2 bar) at return port consult factory

	Flow Capacity (Approx.)		Min. Flow Passage Dia.	Cv Factor
	20 ft/sec (6.1 m/s) gpm (l/min)	40 ft/sec (12.2 m/s) gpm (l/min)		
518 Series Interflow	1.4 (5.6)	2.8 (11)	0.17"	0.40
526 Series Non-Interflow	0.36 (1.4)	0.72 (2.7)	0.086"	0.09

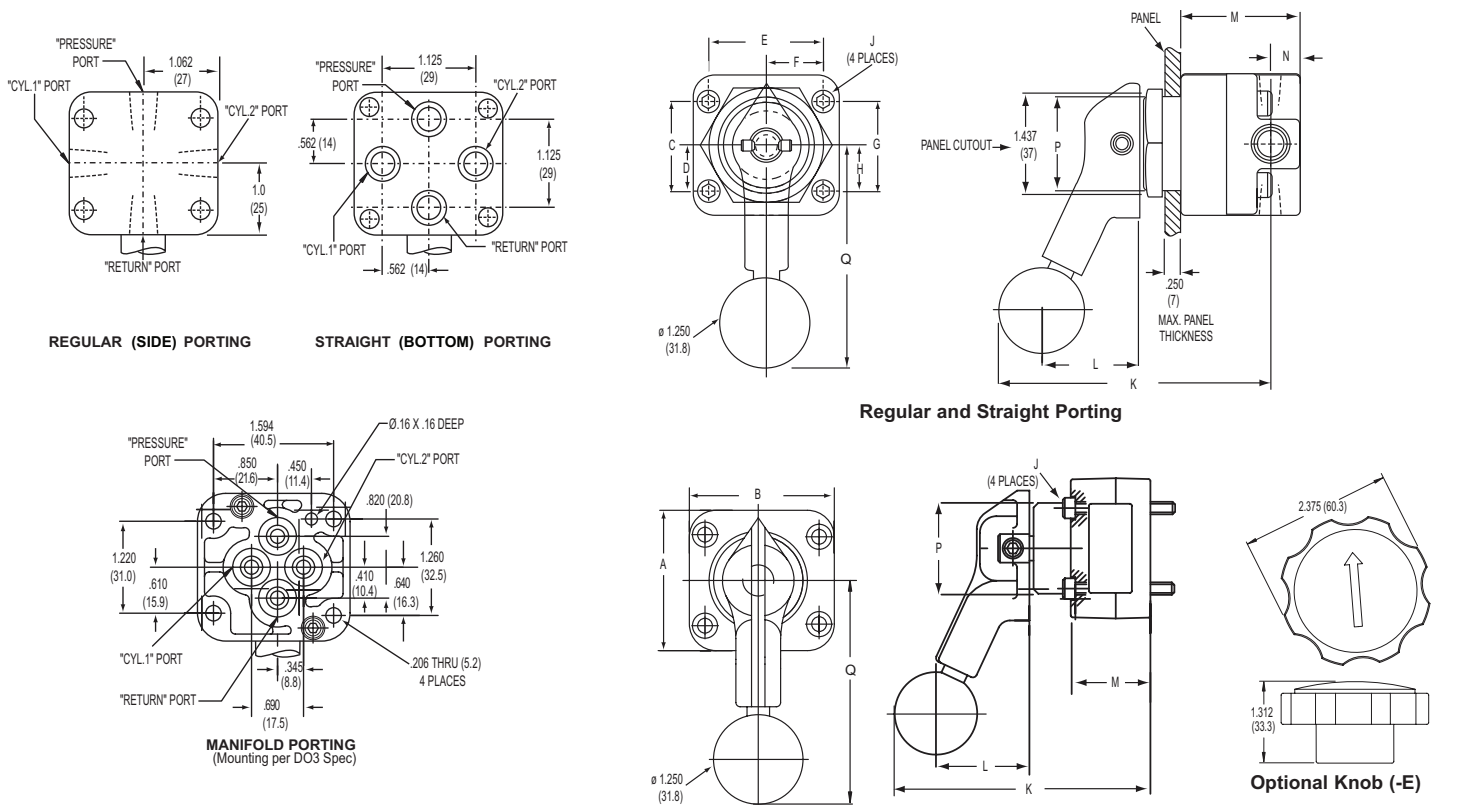


Barksdale®
CONTROL PRODUCTS
Barksdale, Inc./Barksdale GmbH
A Subsidiary of Crane Co.

Microtorque[®] Valve

518, 526 Series

Technical Drawings



Series	Porting	A	B	C	D	E	F	G	H	J	K	L	M	N	P	Q
518 or 526	21R, 61S Porting	1.968 (50.0)	2.031 (51.6)	1.281 (32.5)	.640 (16.3)	1.594 (40.5)	.850 (21.6)	1.219 (31.1)	.610 (15.5)	1/4-28 UNF	3.812 (96.8)	1.437 (36.5)	1.781 (45.2)	.437 (11.1)	1.375 (34.9)	3.125 (79.4)
	41M Manifold Porting	1.968 (50.0)	2.031 (51.6)							10-24 UNC	3.875 (98.4)	1.437 (36.5)	1.406 (35.9)		1.375 (34.9)	3.125 (79.4)
	Spring Return Option										5.562 (141.3)	2.500 (63.3)				5.437 (138.1)

Product Configurator

Example: **518 41M 6 H C 3**

Series

- 518 Interflow
- 526 Non-interflow

Porting

- 21R Regular (side) porting
- 41M Manifold porting (D03)
- 61S Straight (bottom) Porting

Pressure Range

- 6 6,000 psi

Working Media

- H Hydraulic oil

Flow Pattern

- C 4-way closed center
- O 4-way open center
- M 4-way manipulator Closed center

Detent Position

- 2 2-position 90° rotation
- 3 3-position

Position

- Zxx Optional O-ring material ²

Options

- MC Spring return to center ¹
- MR Spring return to right (Pressure port to C1) ¹
- ML Spring return to left (Pressure port to C2) ¹
- MS SAE porting for 1/4" tubing
- E Black knob (not available with spring return)
- P Panel mounting nut p/n 22357

1. 5,000psi max working pressure for spring return option
2. See supplemental guide for the appropriate "Z number"