

Pressure

Explosion Proof Compact Switch

Series 9671X, 9681X, 9692X

Features

- ▶ ATEX approved
- ▶ NEMA 4X, 7 & 9
- ▶ NACE compliant
- ▶ SPDT and DPDT switch
- ▶ Safe to adjust during operation
- ▶ Dia-seal/piston sensor
- ▶ Hazardous location dual seal approved for Canada

Applications

- ▶ BOP closing units
- ▶ Safety panels
- ▶ Pipelines
- ▶ Chemical and petrochemical plants
- ▶ Pulp and paper mills
- ▶ Pump and gas compressors
- ▶ Turbines
- ▶ Oil & gas applications



General Specifications*

Accuracy:	±2% of full scale
Typical Life:	2.5 million cycles
Switch:	SPDT, snap action, simulated DPDT (optional)
Wetted Parts: Process Fitting:	316 stainless steel
Seals:	Viton® Diaphragm (9671X & 9681X) Viton® O-ring and Teflon® backup ring (9692X)
Piston:	Stainless steel (on 9692X)
Enclosure:	316 stainless steel or aluminum
Electrical Connection:	1/2" NPT male conduit connection, 18 AWG, 18" (300 mm) free leads
Electrical Rating:	11 amps @ 125/250VAC 5 amps @ 30 VDC (CC Class)
Enclosure Ratings:	NEMA 4X, 7 & 9 (SS) NEMA 4, 7, & 9 (AL)

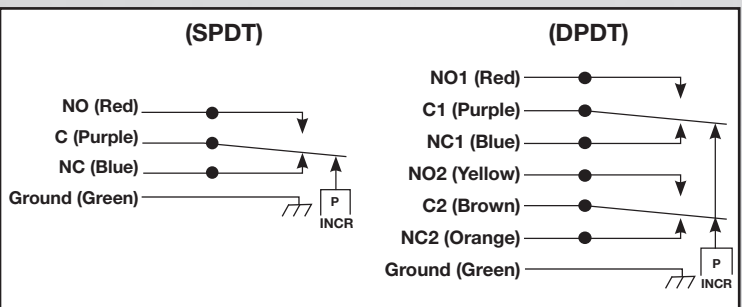
Pressure Connection:	1/4" NPT female
Approvals:	CE 0081, LCIE 08 ATEX 6074X II 2 G, Ex d IIC T6 UL # E37043 CSA # LR22354 UL&CSA Approved for use in hazardous locations Class I, Groups A,B,C,& D; Class II, Groups E,F,& G (Group A, UL Only)
Ambient Temperature:	-4° to +104°F (-20° to +40°C)
EMI/RFI:	EN55011
Vibration:	10g's 10-500 Hz, MIL-STD-202F
Shock:	50g's, 11 mS, MIL-S-901C
Adjustment:	Internal adjustment wheel with built in locking set-screws (#6) ¹
Shipping Weight:	Approximately 1.85 lbs.

¹ Need to loosen set screw (#6) at all times when resetting adjustment.

* See product configurator for additional options.

Wiring Code

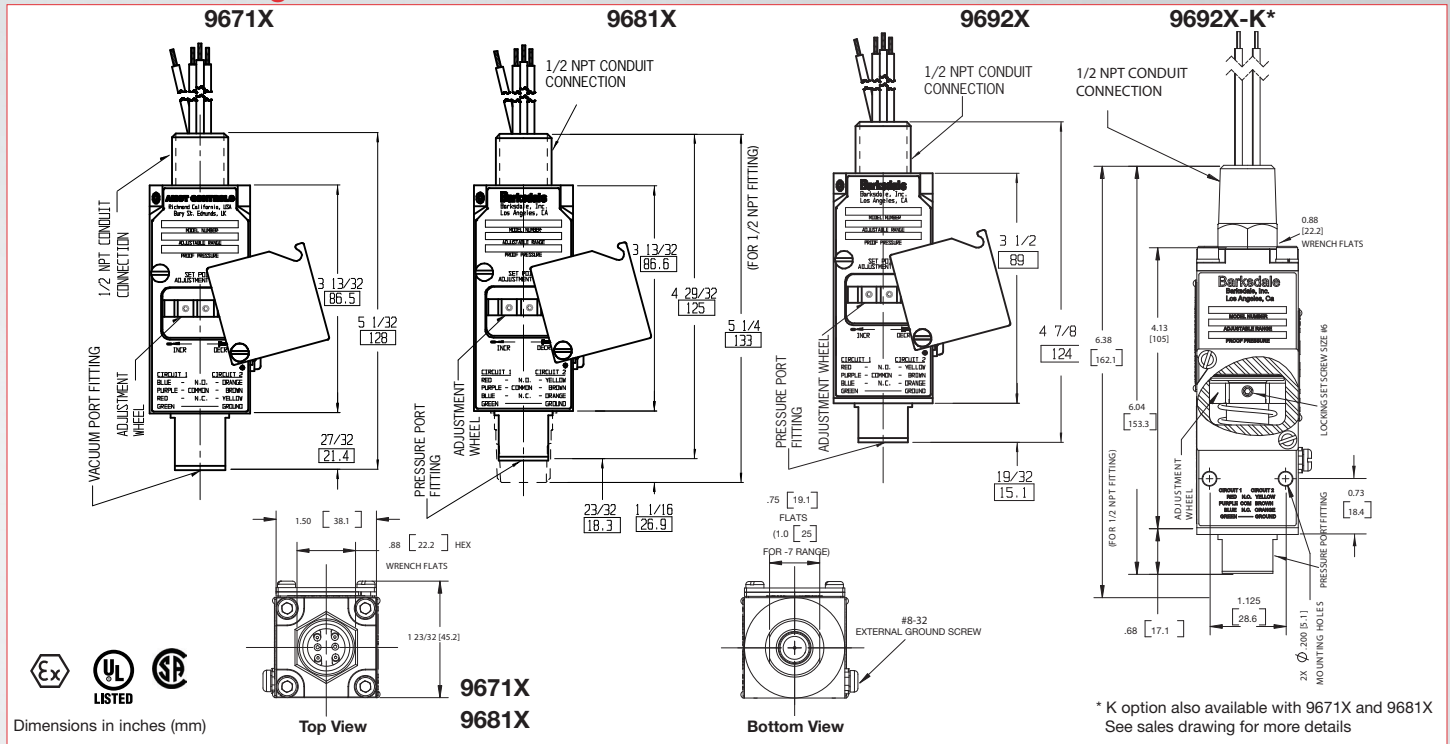
Lead	9692X/9681X (Pressure)		9671X (Vacuum)	
	Circuit #1	Circuit #2	Circuit #1	Circuit #2
Normally Open	Red	Yellow	Blue	Orange
Common	Purple	Brown	Purple	Brown
Normally Closed	Blue	Orange	Red	Yellow
Ground	Green		Green	



Explosion Proof Compact Switch

Series 9671X, 9681X, 9692X

Technical Drawings



Product Configurator

Example: **9681X -1CC -2 -AL -K -W036**

Base Model

9671X	Vacuum switch, 1 - 30 in. Hg.
9681X	Pressure switch, 2 - 500 psi
9692X	Pressure switch, 100 - 10000 psi

Limit Switch

-1CC	SPDT Switch, 11 amps @ 125/250 VAC; 5 amps @ 30 VDC
-2CC	DPDT Switch, 11 amps @ 125/250 VAC; 5 amps @ 30 VDC
-1GH	SPDT gold contact switch, 1 amp @ 125 VAC
-2GH	DPDT gold contact switch, 1 amp @ 125 VAC

Pressure Ranges for 9681X & Vacuum Ranges for 9671X

		Adjustable Range				Approx. Deadband ¹ (Actuation Value)	Proof Pressure
		Decreasing - psi (bar)		Increasing - psi (bar)			
		Min	Max	Min	Max		
9671X	Blank	1" Hg	21" Hg	5" Hg	30" Hg	4 - 9" Hg	30" Hg
9681X	-1	2 (.1)	12 (.8)	3 (.2)	15 (1)	1 - 3 (.07 - .2)	1000 (69)
	-2	5 (.3)	125 (8.6)	7 (.5)	150 (10.3)	2 - 25 (.1 - 1.7)	1000 (69)
	-3	25 (1.7)	260 (17.9)	32 (2.2)	300 (20.6)	7 - 40 (.5 - 2.8)	1000 (69)
	-4	50 (3.4)	440 (30.3)	65 (4.5)	500 (34.4)	15 - 60 (1 - 4.1)	1000 (69)

Pressure Range for 9692X

9692X		Adjustable Range				Approx. Deadband ¹ (Actuation Value)	Proof Pressure
		Decreasing - psi (bar)		Increasing - psi (bar)			
		Min	Max	Min	Max		
-1	100 (6.9)	600 (41.4)	150 (10.3)	750 (51.7)	50 - 150 (3.4 - 10.3)	15000 (1034)	
-2	150 (10.3)	800 (55.2)	220 (15.2)	1000 (69)	70 - 200 (4.7 - 13.8)	15000 (1034)	
-3	400 (27.6)	2600 (179)	500 (34.5)	3000 (207)	100 - 400 (6.7 - 27.6)	15000 (1034)	
-4	700 (48.2)	4400 (303)	840 (57.9)	5000 (345)	140-600 (9.6 - 41.4)	15000 (1034)	
-5	1000 (69)	6700 (462)	1200 (82.8)	7500 (517)	140-800 (9.6 - 55.2)	15000 (1034)	
-6	150 (10.3)	800 (55.2)	220 (15.2)	3000 (207)	50-1000 (3.4-68.9)	15000 (1034)	
-7	5000 (344.8)	8800 (606.9)	5200 (358.6)	10000 (689.7)	200-2000 (13.8-137.9)	15000 (1034)	

Options

- Wxxx Extra wire length (XXX = inches)
- Sxxx Factory preset (consult factory)

-K Mounting holes and conduit wrench flats

Housing Option

- Blank 316 stainless steel housing
- AL Aluminum housing (-K only)

Process Connection²

- Blank 1/4" NPT Female (standard)
- P1 7/16-20 SAE female process connection

Wetted Material

- Blank Viton® diaphragm/O-rings (standard)
- B Buna-N diaphragm/O-rings
- E EPR diaphragm/O-rings (UL and ATEX not available with this option; CSA only available on the 9692X models)

NOTES:

- Deadband values indicated when used with the "CC" limit switch
- Contact factory for other possible connection options

Barksdale®

3211 Fruitland Avenue • Los Angeles, CA 90058 • ☎ 800-835-1060 • Fax: 323-589-3463 • www.barksdale.com CONTROL PRODUCTS

See Barksdale's Standard Conditions of Sale • Specifications are subject to modification at any time • Bulletin #S0049-J • 09/15 • ©2015 • Printed in the U.S.A.