

Visual Indicating Sealed Piston Switch

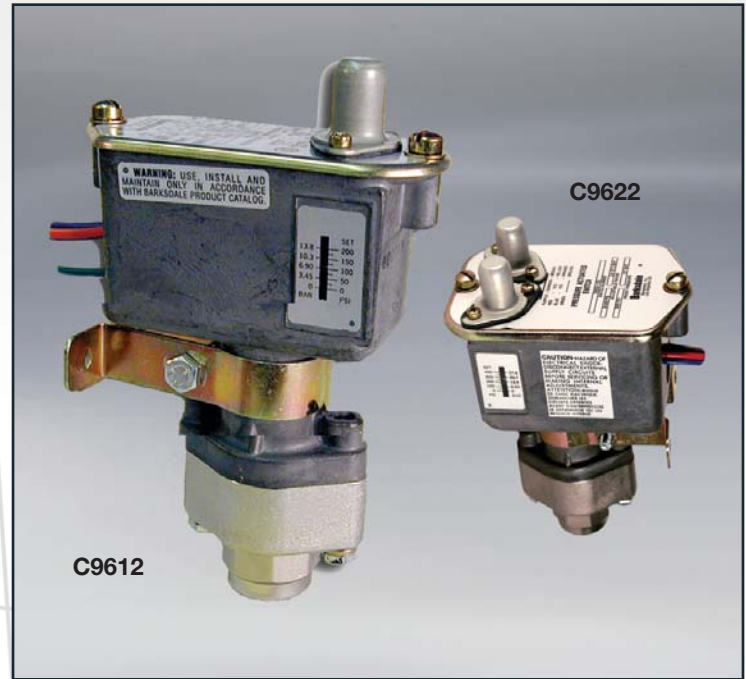
C9612, C9622 Series

Features

- ▶ Extremely long life
- ▶ Weather resistant housing
- ▶ Easy setpoint adjustment
- ▶ High reliability
- ▶ High proof pressure
- ▶ Single & dual setpoint

Applications

- ▶ Compactors & balers
- ▶ Machine tools
- ▶ Lubrication equipment
- ▶ Hydraulic presses
- ▶ Railroad
- ▶ Hydraulic power units
- ▶ Compressors
- ▶ Utility & power generation
- ▶ Metal working application



General Specifications*

Electrical Characteristics:	All models incorporate Underwriters Laboratories, Inc. and CSA Listed single pole double throw snap-action switching elements
Accuracy:	± 2% of the adjustable range
Switch:	Single pole double throw (SPDT) snap action; single or dual circuit
Type:	
Rating:	10 amps @ 125, 250, or 480 VAC; 0.03 amps @ 250 VDC, Class B limit switch
Wetted Parts:	Nickel plated aluminum
Process Fitting:	
O-ring:	Buna-N (standard)
Piston:	416 stainless steel
Enclosure:	Anodized aluminum
Electrical Connection:	18" free leads (terminal block on "T" model)
Enclosure Ratings:	NEMA 3
Pressure Connection:	1/4" - 18 NPT female

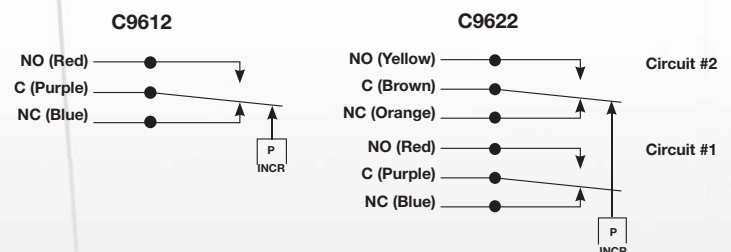
Approvals:	UL/CSA (optional):	UL File E42816 Class 3231 02, File No. 022355-0-000
Temperature Range:	Operating:	-20° to +165°F (-29° to +74°C)
	Storage:	-40° to +200°F (-40 °to +93°C)
Adjustment Instructions:	With screwdriver, turn adjustment screw counterclockwise to increase and clockwise to decrease the actuation point.	
Options:	-UL/CSA approval (maximum rating of 300 VAC) -Factory Pre-set -Cleaned for oxygen service -Alternate O-ring materials	
Shipping Weight:	C9612 Models:	2.5 lbs. approximate
	C9622 Models:	3.0 lbs. approximate
	TC9622 Models	3.5 lbs. approximate

* See product configurator for additional options.

Wiring Code

Lead	Circuit #1	Circuit #2
Normally Closed	Blue	Orange
Common	Purple	Brown
Normally Open	Red	Yellow

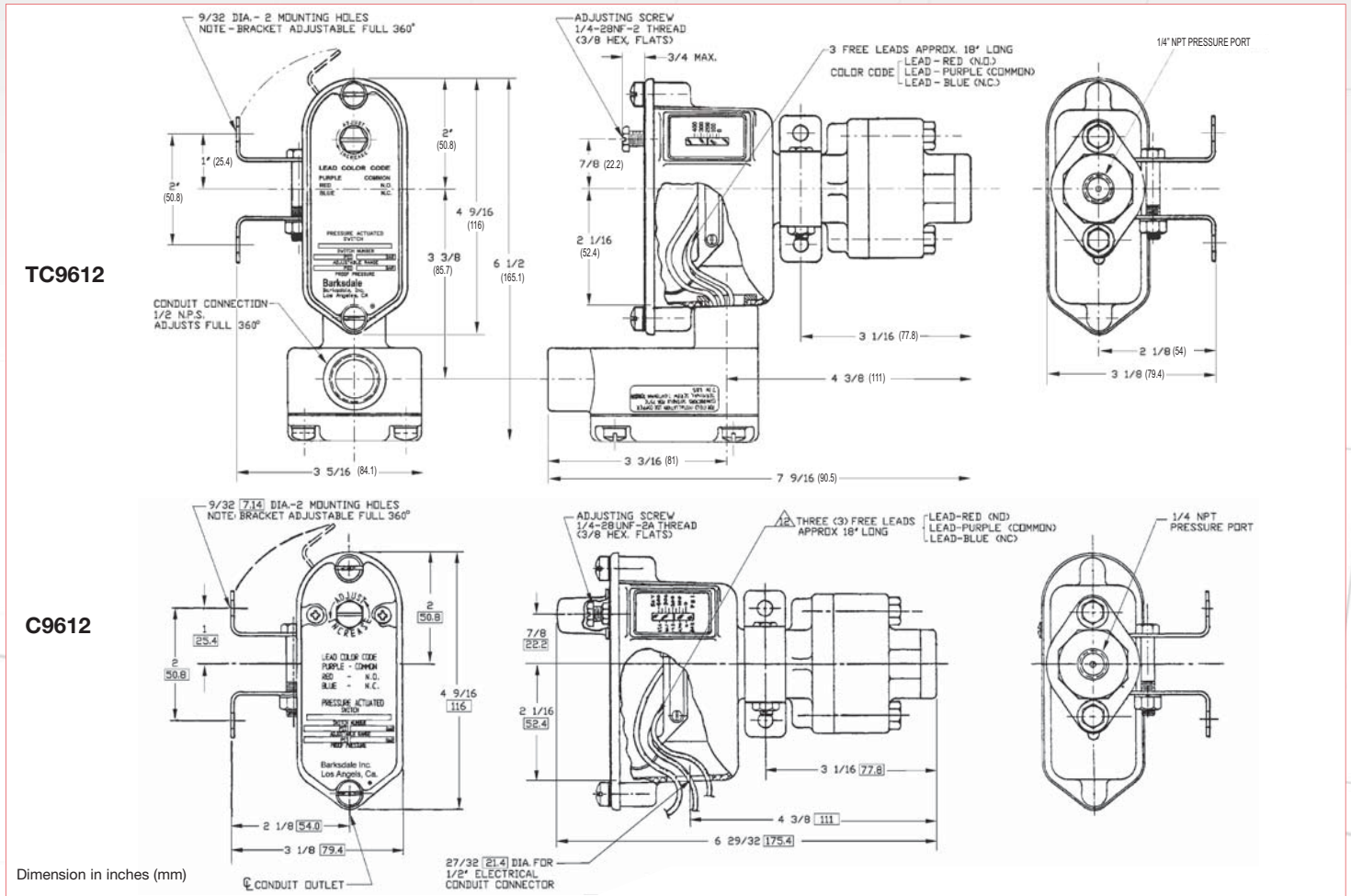
Wiring Diagram



Visual Indicating Sealed Piston Switch

C9612, C9622 Series

Technical Drawing



Product Configurator

Example	T	C9612	-3	-V	-Z1
---------	---	-------	----	----	-----

T JIC Junction Box with Terminal Strip (Optional)

Base Model

C9612	Single Setpoint
C9622	Dual Setpoint

Pressure Range

	Adjustable Range				Approx. Deadband (Actuation Value) psi (bar)	Proof Pressure psi (bar)
	Decreasing - psi (bar)		Increasing - psi (bar)			
	Min	Max	Min	Max		
-0	15 (1.0)	170 (11.6)	18 (1.2)	200 (13.6)	3 - 30 (0.2 - 2.0)	3000 (204.1)
-1	35 (2.4)	340 (23.1)	40 (2.7)	400 (27.2)	5 - 60 (0.3 - 4.1)	3000 (204.1)
-2	125 (8.5)	1360 (92.5)	135 (9.2)	1500 (102.0)	10 - 140 (0.7 - 9.5)	7000 (476.2)
-3	250 (17.0)	2650 (180.3)	280 (19.0)	3000 (204.1)	30 - 350 (2.0 - 23.8)	7000 (476.2)

- Options**
- Z Without mounting bracket
 - Z1 Cleaned for Oxygen Service
 - CS CSA Approval
 - Wxxx Extra wire length
 - Sxxx Factory pre-set (consult factory)

- O-Ring**
- Blank Buna-N (standard)
 - E Ethylene Propylene (EPR) O-ring
 - V Viton® O-ring