

Pressure

Calibrated Differential Switch *Series CDPD1H, CDPD2H, VCDPD1H, VCDPD2H*

Features

- ▶ Pressure and vacuum differential switch
- ▶ High accuracy diaphragm switch
- ▶ Calibrated dial for easy setpoint adjustment
- ▶ Factory preset or field adjustable

Applications

- ▶ Pump & compressor monitoring
- ▶ Air proving in HVAC systems
- ▶ Engine monitoring
- ▶ Machine tools
- ▶ Hydraulic power units
- ▶ Metal working
- ▶ Utility and power generation



General Specifications*

Electrical Characteristics:	All models incorporate Underwriters' Laboratories, Inc. listed single pole double throw snap-action switching elements. Switches may be wired "normally open" or "normally closed".
Accuracy:	± 0.5% of the adjustable range
Switch: Type:	SPDT single or dual circuit 10 amps @ 125/250 VAC; 3 amps @ 480
Rating:	VAC (Class A or H limit switch)
Wetted Parts: Diaphragm:	17-7 PH stainless steel
Seals:	Viton®
Enclosure:	Die-cast aluminum anodized
Other Parts:	Nickel painted aluminum 300 series stainless steel
Electrical Connection:	Free leads approximately 18" long No. 16 AWG standard AWN 105/c wire through 3/4" conduit connection.
Enclosure Ratings:	Housed watertight housing (NEMA 4) Tamper-proof external adjustment.
Pressure Connection:	1/8" NPT female.

Approvals/Listings: UL:	UL listed; File # E42816
CSA:	CSA listed under guide 380-W-1.16, Class 3231, File # 22355
Temperature Range: Operating:	-65°F to +165°F (-54°C to 74°C)
Adjustment Instructions: Pressure:	Turn adjustment screw clockwise to decrease pressure difference; counterclockwise to increase pressure difference
Vacuum Differential:	Turn adjustment screw counterclockwise to decrease vacuum difference; clockwise to increase vacuum difference
Options:	-NEMA 4X -Cleaned for oxygen service
Shipping Weight:	Single & dual - approximate 3.50 lbs.

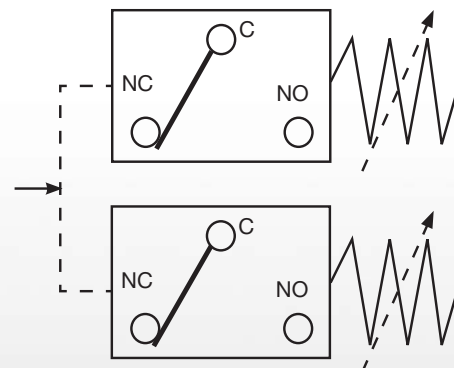
* See product configurator for additional options.

Wiring Code

Lead	Circuit #1		Circuit #2	
	Pressure	Vacuum	Pressure	Vacuum
Normally Closed	Blue	Red	Orange	Yellow
Common	Purple	Purple	Brown	Brown
Normally Open	Red	Blue	Yellow	Orange
Ground	Green			

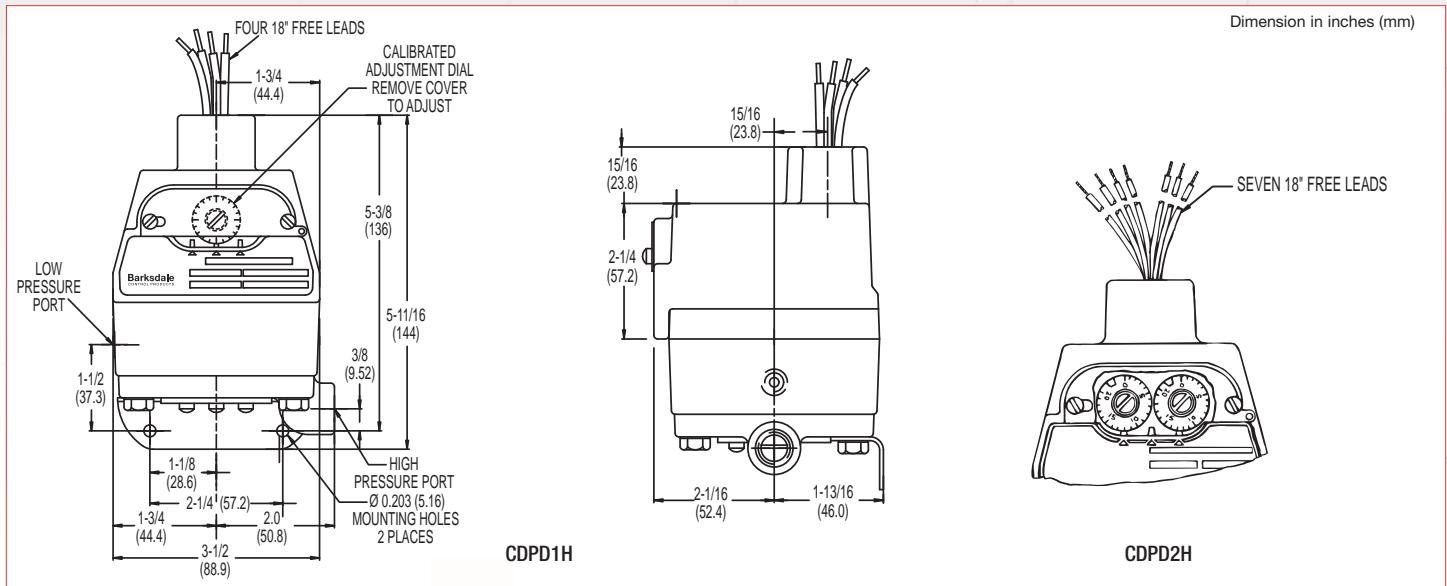
Wiring Diagram

(contact status at atmospheric pressure)



Calibrated Differential Switch *Series CDPD1H, CDPD2H, VCDPD1H, VCDPD2H*

Technical Drawing



Product Configurator

Example	CDPD1H	-A	18SS
---------	--------	----	------

H Hermetically sealed limit switch option - Class I, Division II (requires AA, CC or HH limit switch)

Base Configuration

CDPD1H	Single setpoint housed
CDPD2H	Dual setpoint housed
VCDPD1H	Single setpoint housed - vacuum
VCDPD2H	Dual setpoint housed - vacuum

Options

-FX	NEMA 4X enclosure (not UL/CSA approved)
-Wxxx	Extra wire length (XXX = inches)
-Sxxx	Factory pre-set (consult factory)

Limit Switch¹

-A	10 amps @ 125/250 VAC; 3 amps @ 480 VAC; (standard for pressure range 3SS, 80SS or 150SS)
-H	10 amps @ 125/250 VAC; 3 amps @ 480 VAC; (standard for pressure range 18SS)
-M	10 amps @ 125/250 VAC; 3 amps @ 480 VAC; 0.5 amps @ 125 VDC; 0.25 amps @ 250 VDC
-GH	1 amp @ 125 VAC; with gold contacts
-GH	Hermetically sealed; 1 amp @ 125 VAC with Gold Contacts (not available on vacuum models)
-HH	Hermetically sealed; 5 amps @ 125/250 VAC (not available on vacuum models)

Adjustable Range

	Working Range ³	Adjustable Range (PRESSURE)				Approx. Deadband ² (Actuation Value)	Max. Diff. (Proof)
		Decreasing - PSI (Bar)		Increasing - PSI (Bar)			
		Max	Min	Max	Min		
3SS	.03 to 10	.03 (0)	2.76 (.2)	.27 (.02)	3 (.2)	.09 - .24 (.01 - .02)	10 (.7)
18SS	.40 to 60	.4 (.03)	17.68 (1.2)	.72 (.05)	18 (1.2)	.18 - .32 (.01 - .02)	60 (4.1)
80SS	.50 to 160	.5 (.03)	75.3 (5.1)	5.2 (.4)	80 (5.4)	2.2 - 4.7 (.1 - .3)	160 (10.9)
150SS	1.50 to 300	1.5 (.1)	141.3 (9.6)	10.2 (.7)	150 (10.2)	3.5 - 8.7 (.2 - .6)	300 (20.4)

	Working Range ⁴	Adjustable Range (VACUUM)				Approx. Deadband ² (Actuation Value)	Max. Diff. (Proof)
		Decreasing - In. Hg		Increasing - In. Hg			
		Max	Min	Max	Min		
3SS	.06 to 20	0.06	5.49	0.57	6	.17 - .51	20
18SS	.80 to 30	0.8	29.0	1.8	30	.44 - 1.00	30

NOTES:

¹ Consult Supplemental Guide for specific deadband values

² Deadband values indicated when used with the "standard" limit switch

³ Working range may be extended to 400 psi provided the maximum differential pressure (proof) is not exceeded

⁴ Working range may be extended to 30 in.Hg provided the maximum differential pressure (proof) is not exceeded