



TELEDYNE HASTINGS INSTRUMENTS

MODELS

DV-4, DV-5, DV-6
DV-23, DV-24

FEATURES

- Rugged Construction
- Non-Contaminating
- Color Coded

APPLICATIONS

- Refrigerator
- Cryogenics / Vacuum Insulator
- Air Conditioning
- Freeze Drying
- Transformer Oil Refill
- Pharmaceutical

BENEFITS

- Reliable
- Repeatable
- Stable Calibration

DESCRIPTION

Teledyne Hastings Thermocouple Gauge Tubes/Sensors are precision sensing devices designed to provide accurate measurement and control of vacuum. Fully compensated for both temperature and rate of temperature change, the tubes are renowned worldwide for their dependability, and boast a history of success that has endured for over 60 years.

THI Thermocouple Gauge Tubes/Sensors use the rugged but sensitive, time-tested THI thermopile sensor. Short, firmly connected thermocouples have no suspended weld to an external heater.

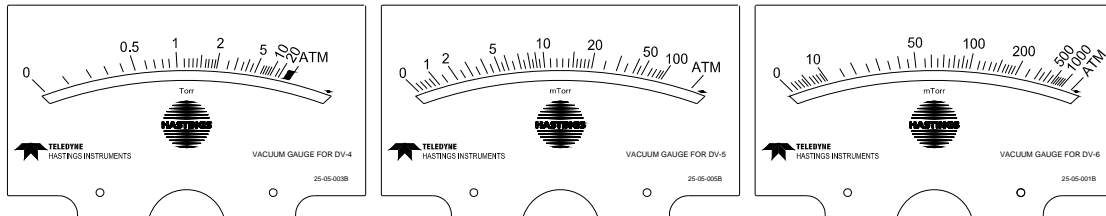
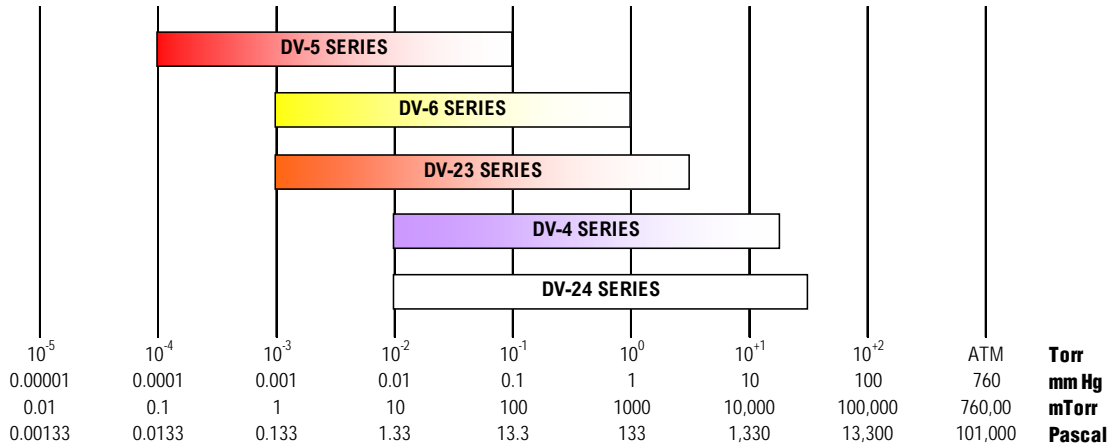
Proprietary tooling and process control improvements offer extended service life for these gauge tubes/sensors.

Thermocouple Vacuum Gauge Tubes/Sensors



Selection Chart

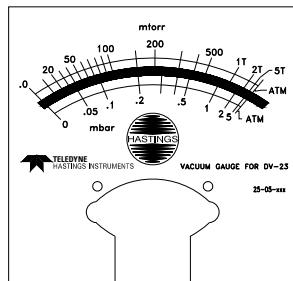
Thermocouple Gauge Pressure Ranges



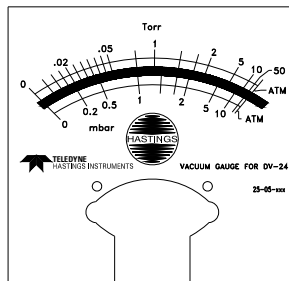
VT-4A
VT-4AB
CVT-24A

VT-5A
VT-5AB
CVT-25A

VT-6A
VT-6AB
CVT-26A



VH-3
CVH-3 (obsolete)

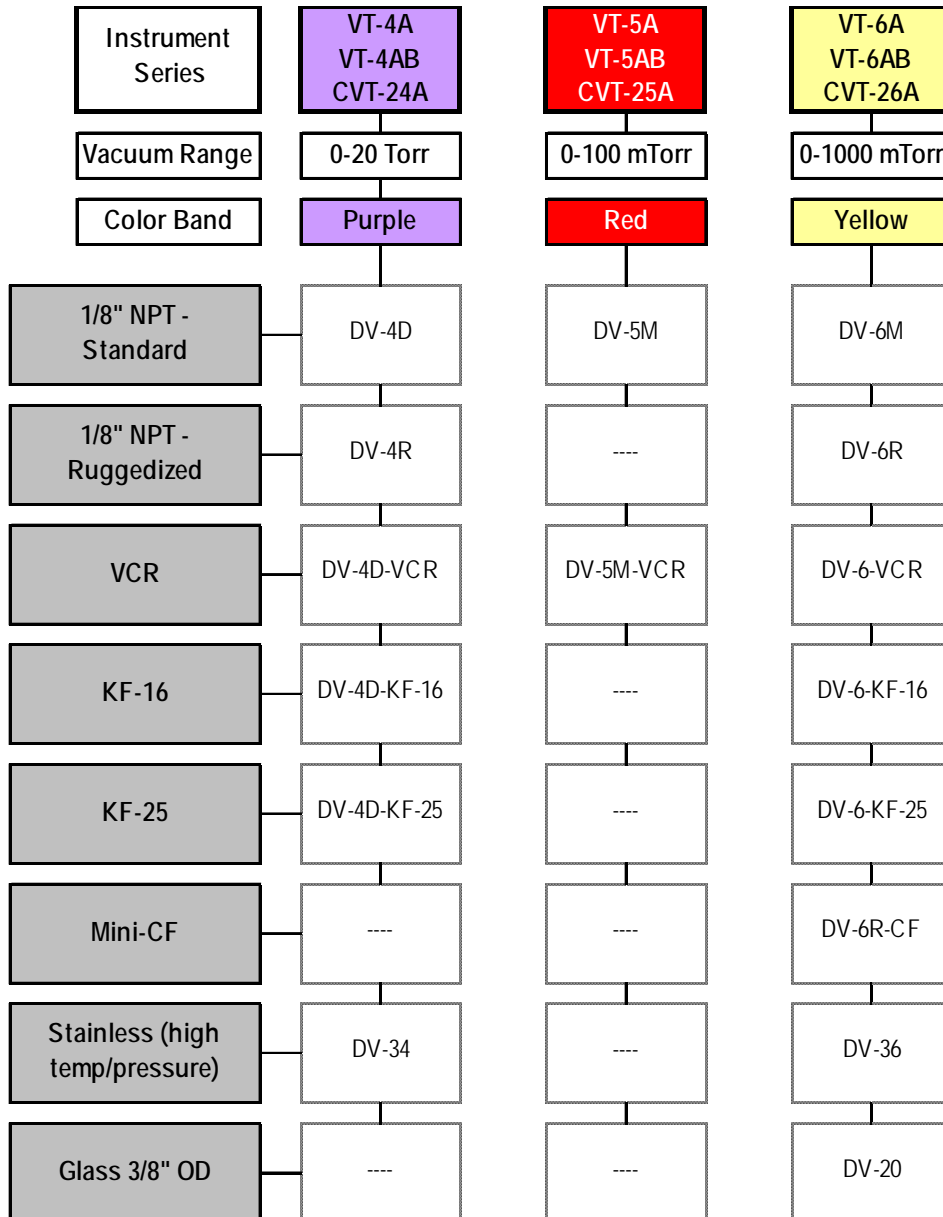


VH-4 (obsolete)
CVH-4 (obsolete)

Hastings Instruments reserves the right to change or modify the design of its equipment without any obligation to provide notification of change or intent to change.

Selection Chart

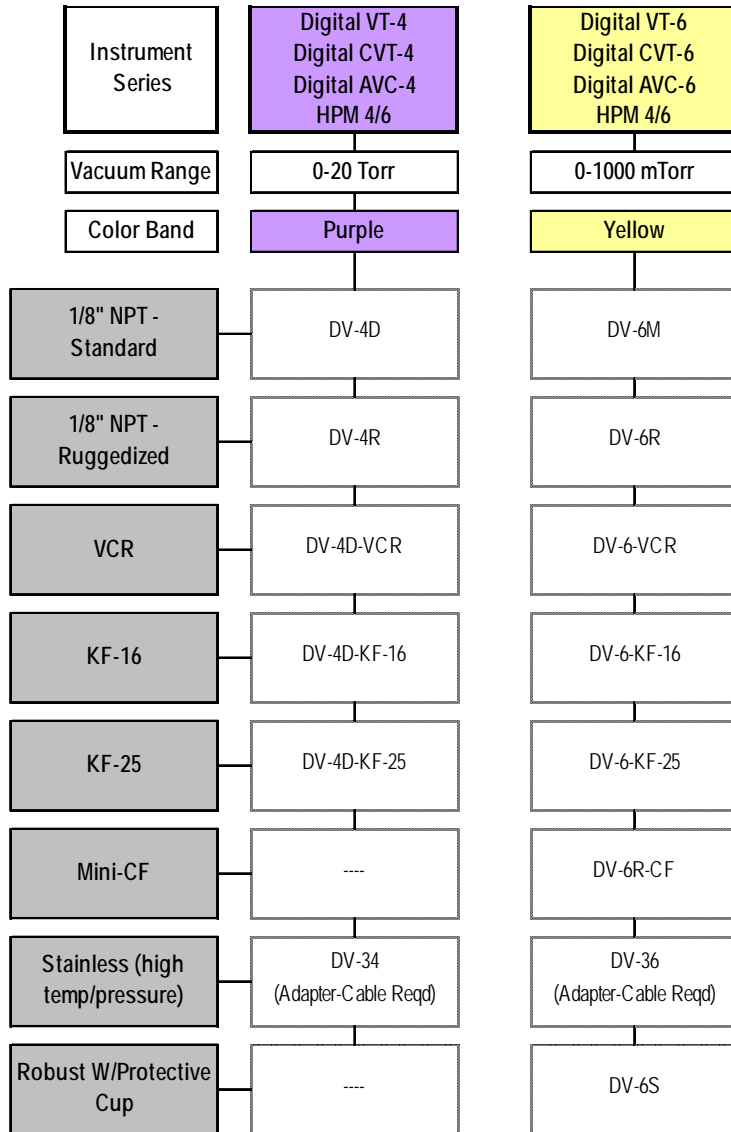
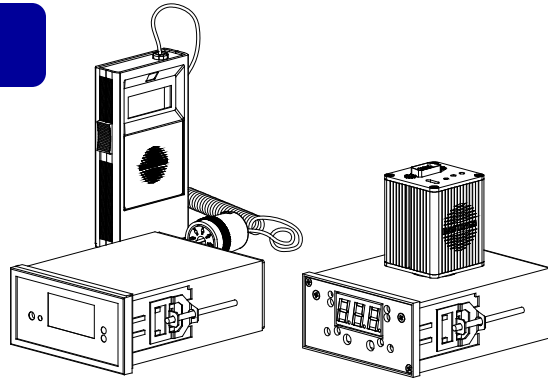
Gauge tube available with fittings not listed, contact factory.



Note: Color band is not used on all tubes.

For proper accuracy and performance THI Vacuum Gauges should always be used with the proper range of THI Vacuum Gauge Tubes.

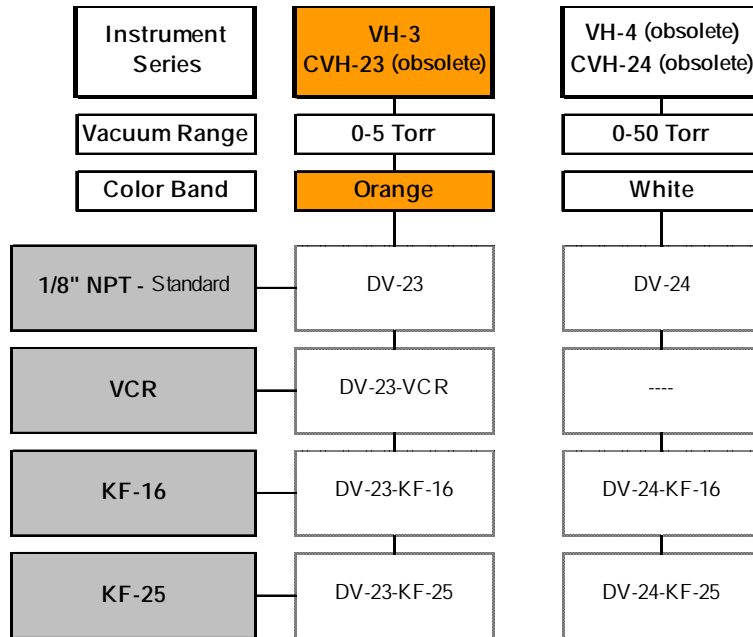
Selection Chart



Note: Color band is not used on all tubes.

For proper accuracy and performance THI Vacuum Gauges should always be used with the proper range of THI Vacuum Gauge Tubes.

Selection Chart

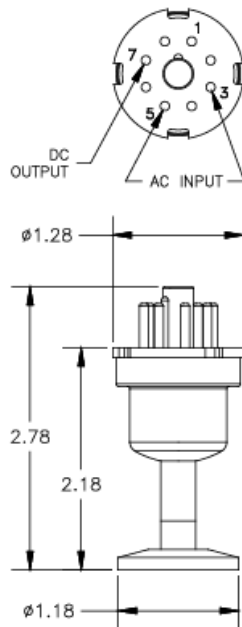
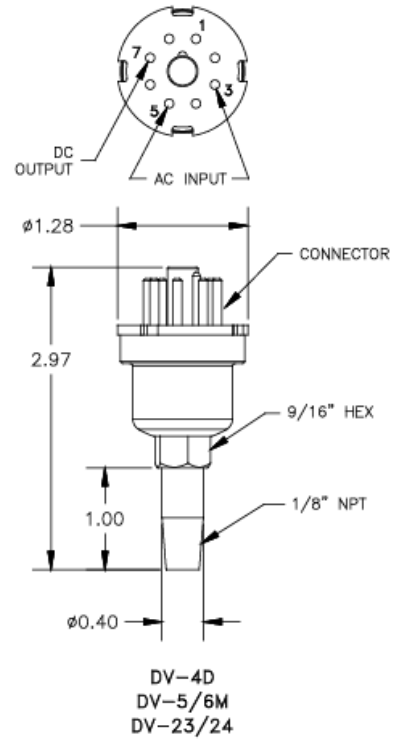
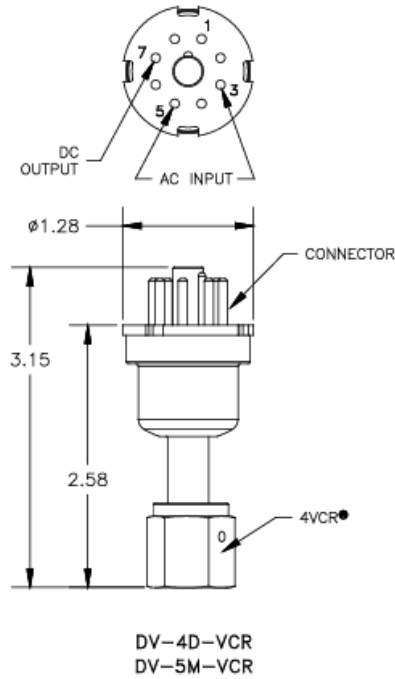


Note: Color band is not used on all tubes.

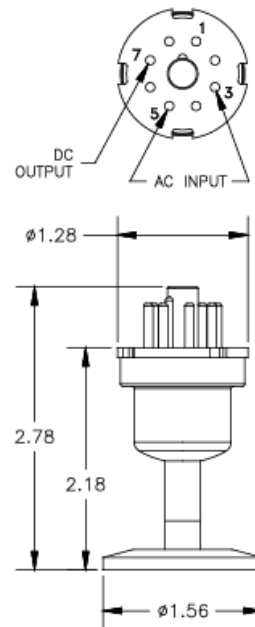
For proper accuracy and performance
 THI Vacuum Gauges should always be used
 with the proper range of THI Vacuum Gauge Tubes.

Standard Gauge Tube

- Hermetically Sealed base with glass.
- Stainless Steel and Nickel Plated components.
- Color coded label
- Max Temp: 100°C
- Max Press: 150psig



DV-4D-KF-16
DV-23-KF-16
DV-24-KF-16

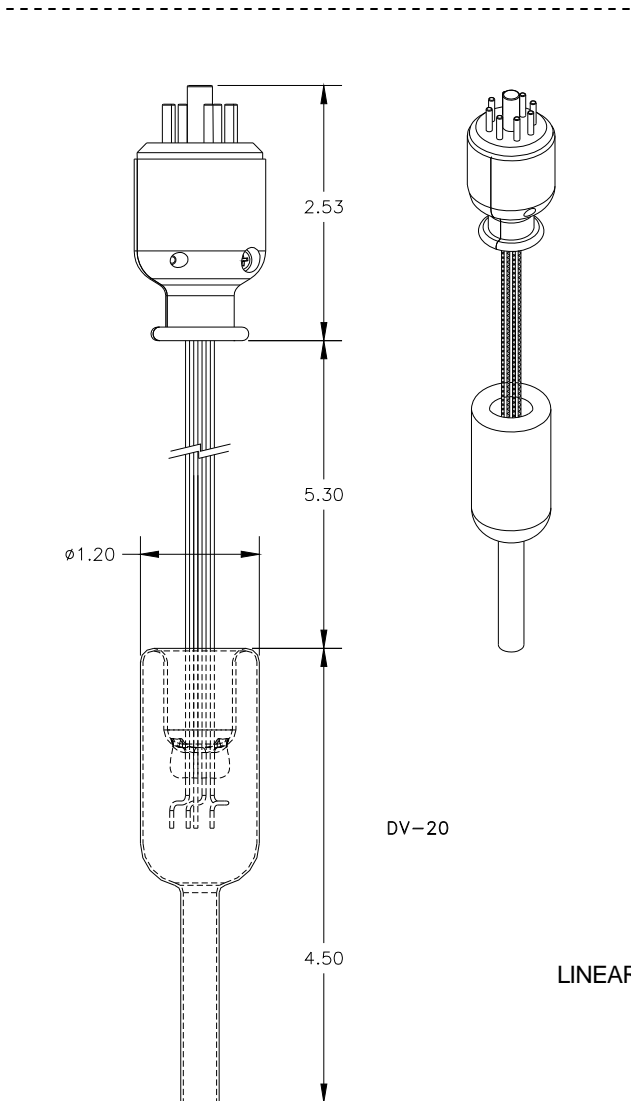
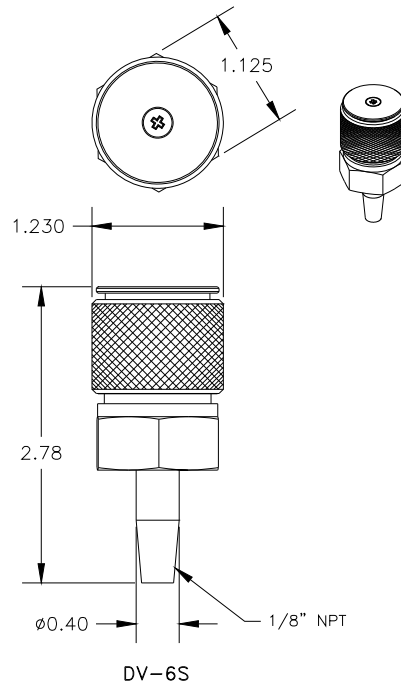


DV-4D-KF-25
DV-23-KF-25
DV-24-KF-25

LINEAR DIMENSIONS
(TYP)

DV-6S, Weather Proof Outdoor

- DV-6 Thermocouple
- 0-1000mTorr
- Rugged Construction
- Includes Protective Cap



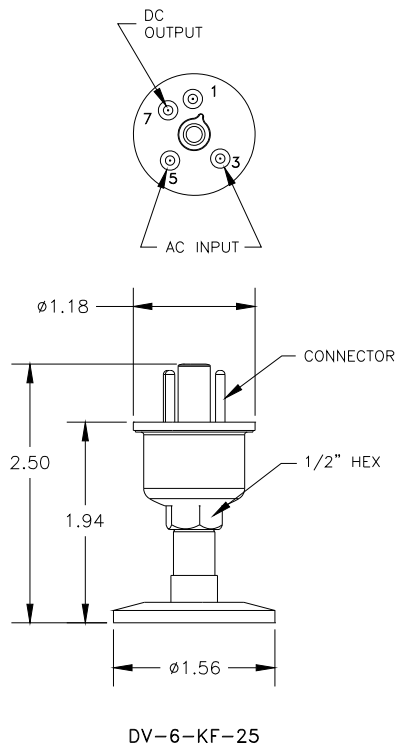
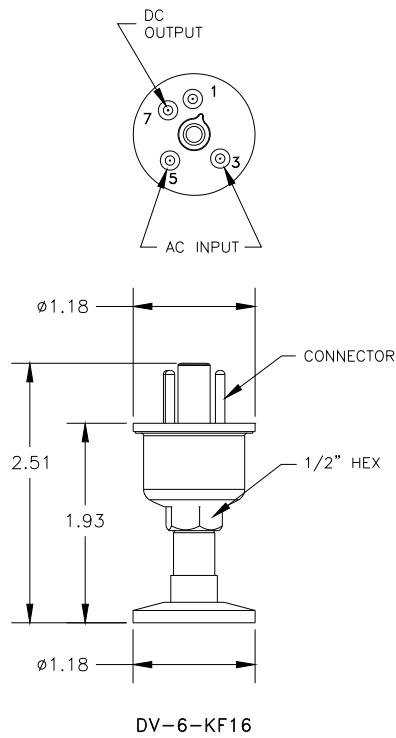
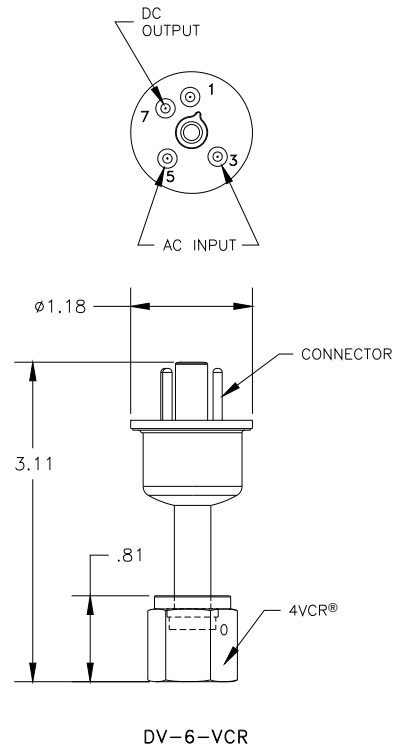
Glass Gauge Tube

- Constructed of Corning #7052 type glass or equivalent

LINEAR DIMENSIONS
(TYP)

RoHS Gauge Tube

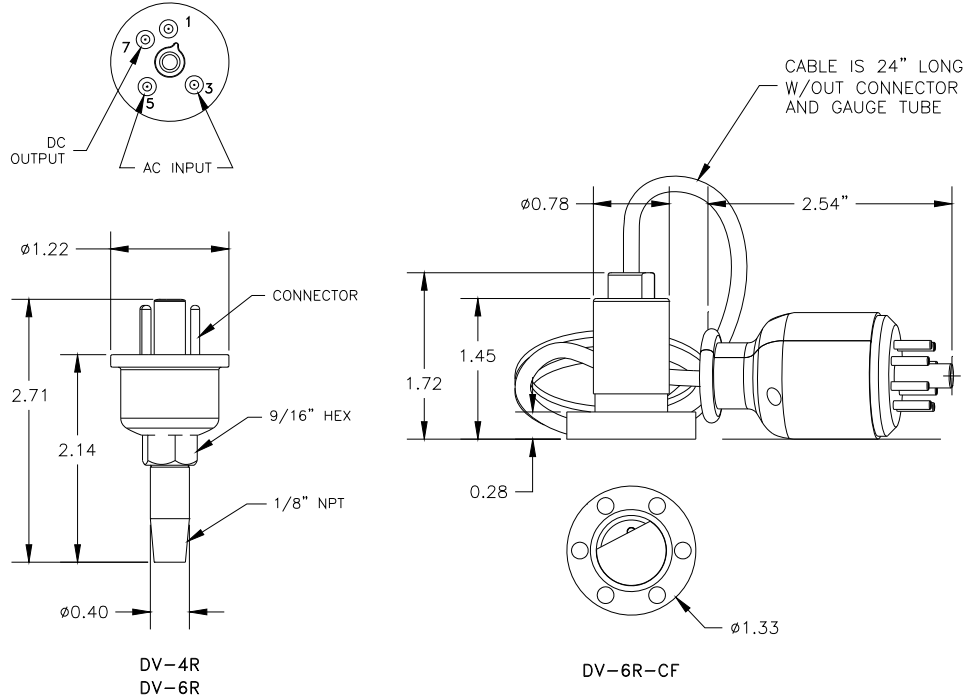
- Stainless Steel
- All welded
- No Plastic
- No Braze
- Color coded label
- Max Press: 400psig



LINEAR DIMENSIONS
(TYP)

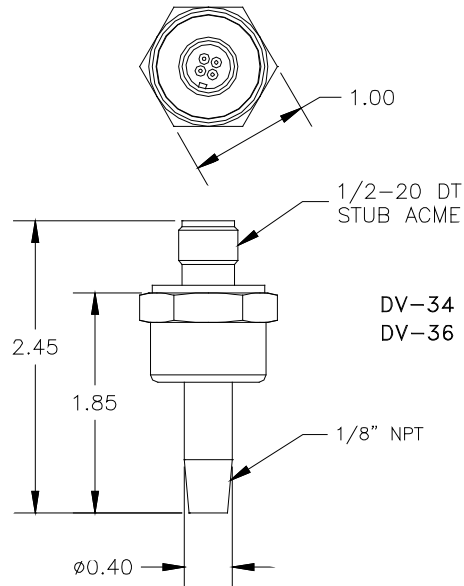
Ruggedized Gauge Tube

- Hermetically Sealed base with glass.
- Stainless Steel and Nickel Plated components.
- Color coded label
- Max Temp: 150°C
- Max Press: 400psig



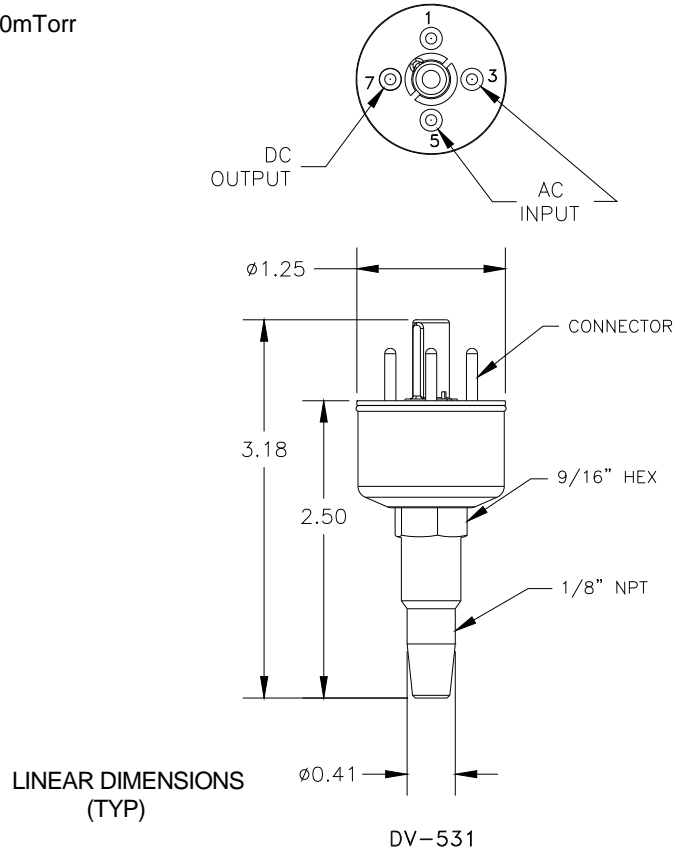
Stainless Steel Gauge Tube

- Stainless Steel
- Corrosion Resistant which can withstand high temperatures and high pressures
- Max Temp: 150°C
- Max Press: 400psig



Varian DV-531

- Range: 0-2000mTorr



Teledyne Hastings; Specialties in custom sensor solutions, our design services, machine shop and welding facilities can quickly generate specialized solutions for all vacuum gauging.

HOW MAY WE HELP YOU?



Telephone: (757) 723-6531
Toll Free: (800) 950-2468
Fax: (757) 723-3925
World Wide Web: <http://www.teledyne-hi.com>
E-mail: hastings_instruments@teledyne.com
P.O. Box 1436
Hampton, VA 23661

