



02 SERIES ELECTRONIC FLOWMETER WITH SCALED PULSE OUTPUT

The FLOMEC® 02 Series is a lightweight, accurate and reliable turbine meter. Choose the 02 Series for thin viscosity fluid applications.

- Available in Aluminum or Nylon
- Virtually maintenance free
- For fluids under 100 Centipoise
- Offers one pulse per unit (gallons and litres)

FEATURES / BENEFITS

- Complete meter, including turbine assembly, microprocessor and LCD readout.
- Two Totals: Batch (Resettable to measure flow during a single use) and Cumulative (Non-resettable, to provide continuous measurement).
- Remote monitor option to connect to an external system (NPN Open Collector Pulse)
- Lightweight, compact design allows for easy installation.
- Display powered by two AAA alkaline batteries that are easy to replace, with the meter installed.

APPLICATIONS

- Irrigation
- Building Automation (Chillers)
- Programmable Logic Controller (Batch Control)
- OEM (connect to flow switch - low cost meter)
- Connect to flow switch
- Diesel & Fuel Oil
- Data Logger
- Wireless Communication
- Numerous water applications
- Batch Controller

PRODUCT CONFIGURATION

PRODUCT IDENTIFIER **1**

02 = Electronic Digital Flowmeter

HOUSING CHOICE **2**

A = Aluminum
N = Nylon

FITTING TYPE **3**

12 = 1 inch BSPT (Female)
31 = 1 inch NPT (Female)
52 = 1 inch BSPP (Female)
X = No Turbine

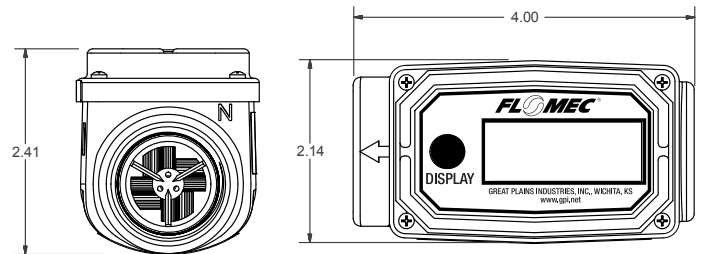
CALIBRATION **4**

GM = Gallons / Minute
LM = Litres / Minute
XX = No Computer

1 2 3 4

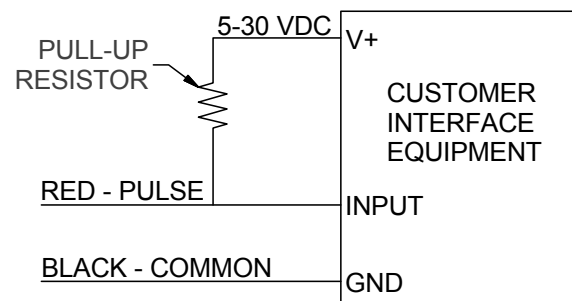
--->>>> **02 + N + 31 + GM = SAMPLE**

DIMENSIONS



INTERNAL PULL-UP RESISTOR

Some interface devices may not have an internal pull-up resistor. Use a minimum 820 ohms resistor if necessary.



SPECIFICATIONS

| | | |
|------------------------------|--|-------------|
| Fitting Size / Fitting Type: | 1 inch / BSPT (Female) | |
| | 1 inch / NPT (Female) | |
| | 1 inch / BSPP (Female) | |
| Flowrate: | 3 - 30 GPM | 1 - 113 LPM |
| Accuracy (% of Reading): | ± 5.0% | |
| Pressure Rating: | 150 PSIG / 10.3 BAR | |
| Operating Temperature Range: | +14° F to +130° F (-10° C to +55° C) | |
| Pulse Out Description: | Open Collector (a.k.a. NPN or Current Sinking) | |
| Pulse Duration: | 250 msec | |
| Pulse Amplitude: | 5 to 30 VDC | |
| Scaling: | One pulse per Gallon or Litre | |
| Cable Length: | 5 ft. / 1.5 meters | |

| | | |
|------------------------------|------------------|---------------------|
| Wetted Materials (Aluminum): | Housing: | Aluminum |
| | Bearings: | Ceramic |
| | Shaft: | Tungsten Carbide |
| | Rotor: | Nylon |
| | Rings: | 316 Stainless Steel |
| | Signal Generator | Ferrite |
| Wetted Materials (Nylon): | Housing: | Nylon |
| | Bearings: | Ceramic |
| | Shaft: | Tungsten Carbide |
| | Rotor: | Nylon |
| | Rings: | 316 Stainless Steel |
| | Signal Generator | Ferrite |

APPROVALS



Service & Warranty: For technical assistance, warranty replacement or repair contact your **FLOMEC™** or **GPI®** distributor: In North or South America: **888-996-3837 / GPI.net**
 Outside North or South America: **+61 2 9540 4433 / flomec.com.au**