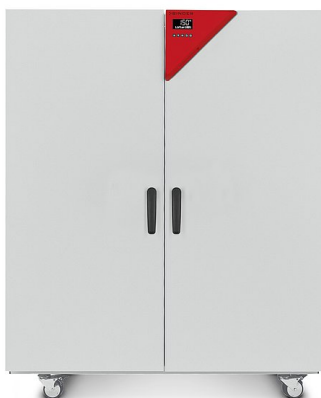


Model FED 720 | Drying and heating chambers with forced convection and enhanced timer functions

BINDER heating chambers of the FED Avantgarde.Line series provide almost unlimited capacity and are particularly adaptable. With advanced timing functions and a controllable fan, temperature and convection conditions are easily controlled.

BENEFITS

- Best energy efficiency on the market
- Excellent temporal and spatial temperature accuracy
- USB connection for recording data
- Temperature range up to 300 °C



Model 720

MAIN FEATURES

- Temperature range: ambient temperature plus 12 °C to 300 °C
- Up to 30% lower energy consumption compared to conventional units on the market
- High temperature accuracy thanks to APT.line™ technology
- Adjustable fan speed
- Controller with LCD display and enhanced time functions
- Electromechanical control of the exhaust air flap
- 2 chrome-plated racks
- Class 2 integrated independent adjustable temperature safety device (DIN 12880) with visual alarm
- Ergonomic handle design
- Ethernet interface
- USB port for recording data

ORDERING INFORMATION

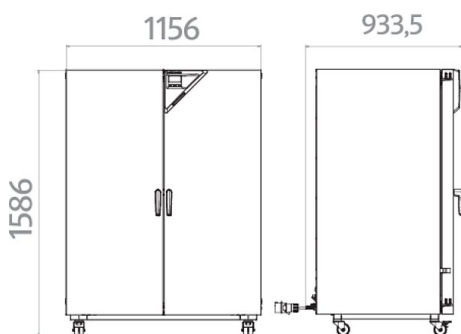
Interior volume [cu.ft.]	Voltage	Option model	Version	Art.-No.
26.2	400 V 3~ 50/60 Hz	Standard	FED720-400V	9010-0301
	208 V 3~ 60 Hz	Standard	FED720UL-208V	9010-0302

TECHNICAL DATA

Description	FED720-400V ¹	FED720UL-208V ¹
Article Number	9010-0301	9010-0302
Performance Data Temperature		
Temperature range 12 °C above ambient temperature to [°C]	300	300
Temperature variation at 150 °C [± K]	2.0	2.0
Temperature fluctuation at 150 °C [± K]	0.6	0.6
Heating-up time to 150 °C [min]	25	25
Recovery time after 30 seconds door open at 150 °C [min]	6	6
Air change data		
Air change (approx.) at 100 °C [x/h]	5	5
Electrical data		
Rated Voltage [V]	400	208
Power frequency [Hz]	50/60	60
Nominal power [kW]	4.5	4.5
Unit fuse [A]	3 x 16	3 x 16
Phase (Nominal voltage)	3~	3~
Measures		
Interior volume [cu.ft.]	26.2	26.2
Net weight of the unit (empty) [lbs]	357	357
Permitted load [lbs]	694	694
Load per rack [lbs]	99	99
Wall clearance back [in]	6.3	6.3
Wall clearance sidewise [in]	3.94	3.94
Internal Dimensions		
Width [in]	39.4	39.4
Height [in]	51.2	51.2
Depth [in]	22.46	22.46
Doors		
Unit doors	2	2
Housing dimensions not incl. fittings and connections		
Width net [in]	45.9	45.9
Height net [in]	62.6	62.6
Depth net [in]	34.28	34.28
Environment-specific data		
Energy consumption at 150 °C [Wh/h]	800	800
Sound-pressure level [dB(A)]	43	43
Fixtures		
Number of shelves (std./max.)	2/16	2/16

1 All technical data is specified for unloaded units with standard equipment at an ambient temperature of +22 °C ±3 °C and a power supply voltage fluctuation of ±10 %. The temperature data is determined in accordance to BINDER factory standard following DIN 12880, observing the recommended wall clearances of 10 % of the height, width, and depth of the inner chamber. Technical data refers to 100 % fan speed. All indications are average values, typical for units produced in series. We reserve the right to change technical specifications at any time.

DIMENSIONS INCL. FITTINGS AND CONNECTIONS [MM]



OPTIONS

Designation	Description	*	Art.-No.
Access port with silicone plug	left		
	10 mm	01	8012-1278
	30 mm	01	8012-1655
	50 mm	01	8012-1657
	100 mm	01	8012-1669
	right		
	10 mm	01	8012-1271
	30 mm	01	8012-1654
	50 mm	01	8012-1656
	100 mm	01	8012-1670
	top		
	10 mm	01	8012-1264
	30 mm	01	8012-1365
	50 mm	01	8012-1381
	100 mm	01, 10	8012-1672
	Alarm function for overheating	Switchable acoustic alarm, with adjustable limit value on the independent temperature safety device	-
Analog output 4-20 mA	for temperature values (output not adjustable)	02	8012-1625
Calibration certificate, expanded	for temperature; for extending the measurement in center of chamber to include another test temperature	-	8012-1118
	for temperature, measurement in center of chamber at specified temperature	-	8012-1137
Calibration certificate, temperature	temperature measurement incl. certificate and 27 measuring points at specified temperature	-	8012-1596
	temperature measurement incl. certificate, 15- 18 measuring points at specified temperature	-	8012-1575
	temperature measurement incl. certificate, 9 measuring points at specified temperature	-	8012-1554
Class 3.1 independent temperature safety device	with visual alarm (DIN 12880)	04, 12	8012-1644
Clock	battery-backed	-	8012-1642
Door gasket	made of FKM, silicone-free	03	8012-1834
Door lock	lockable door handle	-	8012-1819
Fan, reinforced	for increased air change rates, incl. uprated heat output for faster heating up time and improved recovery time; max. 300 °C; not in conjunction with load management option		
	400 V option model	-	8012-1781
Heating output, reinforced	For faster heating up time and improved recovery time; max. 300 °C; not in conjunction with load management option		
	400 V option model	-	8012-1780
Inner chamber, reinforced	max. total load 350 kg	-	8012-1822

* Notes > See last page

Designation	Description	*	Art.-No.
Interior lighting	with two 15 W light bulbs		
	208 V option model	–	8012-0972
	400 V option model	–	8012-1826
Measurement of air exchange rate	in accordance with ASTM D5374, definition and protocol according to ambient temperature	–	8012-1197
Pt 100 temperature sensor	additional flexible Pt 100, interior, for displaying the temperature on the unit display	–	8012-1621
Viewing window and interior lighting	viewing window (triple insulating glass) in door, 300 x 480 mm, and 30 W interior 208/400 V option model	–	8012-1832

* Notes › See last page

ACCESSORIES

Designation	Description	*	Art.-No.
APT-COM™ 4 BASIC-Edition	for simple logging and documentation requirements with up to 5 networked units. version 4, BASIC edition	19	9053-0039
APT-COM™ 4 GLP-Edition	for working under GLP-compliant conditions. Measured values are documented in a tamper-proof way in line with the requirements of FDA Regulation 21 CFR 11. version 4, GLP edition	19	9053-0042
APT-COM™ 4 PROFESSIONAL-Edition	convenient unit and user management built on the BASIC edition. Suitable for networking up to 100 units. version 4, PROFESSIONAL edition	19	9053-0040
Data Logger Kit	T 350: For continuous temperature logging from 0 °C to 350 °C; kit includes 1 data logger, Pt 100 sensor with 2 m extension cable and 1 magnetic fixture for mounting to the BINDER unit	19	8012-0714
Data Logger Software	LOG ANALYZE software kit, configuration and evaluation software for all BINDER Data Logger Kits (incl. USB data cable)	19	8012-0821
Instrument tray	with lid made from 18/8 stainless steel, stackable, dimensions: 230 x 133 x 45 mm	–	4022-0123
	with lid made from 18/8 stainless steel, stackable, dimensions: 315 x 215 x 60 mm	–	4022-0124
pH-neutral detergent	concentrated, for gentle remove of residual contaminants; 1 kg	–	1002-0016
Qualification documents	IQ/OQ documents – supporting documents for validation performed by customers, consisting of: IQ/OQ checklists incl. calibration guide and comprehensive unit documentation; parameters: temperature, CO ₂ , O ₂ , pressure, depending on unit		
	Digital in PDF format	–	7057-0001
	Hard copy inside folder	–	7007-0001
Rack	chrome plated	–	6004-0171
	stainless steel	–	6004-0155
Shelf, perforated	Stainless steel	–	6004-0187

* Notes › See last page

SERVICES

Designation	Description	*	Art.-No.
Installation services			
Unit installation	Unpacking and setting up of unit, connecting to existing connections, and checking function	13, 18	DL10-0100
Unit instructions	Unit function instructions for operation and programming of the controller	18	DL10-0500
Preventive maintenance			
Maintenance	Functional testing of all electrical and mechanical components, short calibration, documentation in the maintenance schedule	14, 18	DL20-0200
Calibration services			
Measurement of air exchange rate	including certificate (in accordance with ASTM D5374)	14, 16, 17, 18	DL33-0000
Temperature calibration	Expansion – including certificate, each additional measuring point in center of chamber at specified test temperature	14, 16, 17, 18	DL30-0102
	Temperature calibration with 1 measuring point in center of chamber at a specified test temperature, including certificate	14, 16, 17, 18	DL30-0101

* Notes › See last page

Designation	Description	*	Art.-No.
Temperature measurement, 18 measuring points	Temperature measurement with 18 measuring points at a specified test temperature, including certificate	14, 16, 17, 18	DL30-0118
Temperature measurement, 27 measuring points	Temperature measurement with 27 measuring points at a specified test temperature, including certificate	14, 16, 17, 18	DL30-0127
Temperature measurement, 9 measuring points	Temperature measurement with 9 measuring points at a specified test temperature, including certificate	14, 16, 17, 18	DL30-0109
Validation services			
Execution of IQ/OQ	Execution of IQ/OQ in accordance with qualification folder	15, 18	DL40-0100
Execution of IQ/OQ/PQ	Execution of IQ/OQ/PQ in accordance with qualification folder	15, 18	DL44-0500
Warranty service			
Warranty extension from 2 to 3 years	The warranty is extended from 2 to 3 years from the delivery date, wear parts are excluded	-	DL00-4041
Warranty extension from 2 to 5 years	The warranty is extended from 2 to 5 years from the delivery date, wear parts are excluded	-	DL00-4042

* Notes › See last page

NOTES

- 01 Condensation may occur in the area around the access port. Access ports may be placed in custom locations for an additional charge.
- 02 UL mark is not granted when this option is used.
- 03 Heat resistant only to max. 200 °C.
- 04 Only available on units rated for 230 V.
- 07 The additional heat input may affect the temperature behavior.
- 09 Not in conjunction with the optional access port, door with window and interior lighting.
- 10 Not available on 23-liter units.
- 11 Not available on 23- or 53-liter units.
- 12 Only available on units rated for 230 V or 400 V.
- 13 Installation and connections take place at unit location; transport within the company only upon consultation.
- 14 We recommend a BINDER service contract to cover unit inspections, calibrations and validations.
- 15 OQ according to Yellow Paper = completed factory validation documentation of all OQ checklists.
- 16 Sensor calibration is performed in an accredited calibration laboratory.
- 17 Calibration is performed according to the BINDER factory standard.
- 18 Quoted prices do not include travel costs. Please refer to the chapter on BINDER Service for travel costs for your region. Quoted prices for services performed in Switzerland do not include a country-specific added fee (available on request).
- 19 For additional accessories, refer to the Process documentation chapter.

BINDER GmbH
Tuttlingen, Germany
TEL +49 7462 2005 0
FAX +49 7462 2005 100
info@binder-world.com
www.binder-world.com

BINDER Asia Pacific (Hong Kong) Ltd.
Kowloon, Hong Kong, P.R. China
TEL +852 39070500
FAX +852 39070507
asia@binder-world.com
www.binder-world.com

Representative Office for CIS
Moscow, Russia
TEL +7 495 988 15 16
FAX +7 495 988 15 17
russia@binder-world.com
www.binder-world.com

BINDER Environmental Testing
Equipment (Shanghai) Co., Ltd.
Shanghai, P.R. China
TEL +86 21 685 808 25
FAX +86 21 685 808 29
china@binder-world.com
www.binder-world.com

BINDER Inc.
Bohemia, NY, USA
TEL +1 631 224 4340
FAX +1 631 224 4354
usa@binder-world.com
www.binder-world.us