

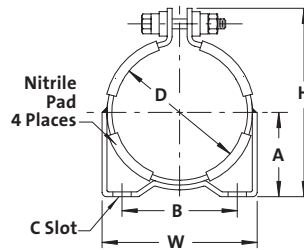
MOUNTING BRACKETS/SETS FOR BLADDER TYPE

Bracket Sets

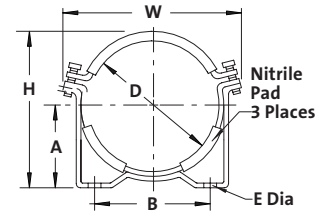
(Includes one upper and one Lower except where note)

Part Number	Used on Accumulator Series
TMB-TBR30-1	TBR30, 1 Gallon
TMB-TBR30	TBR30, 2.5 to 15 Gallon
TMB-TBR30-SD	3 Piece Severe Duty (2@ MB-TBR30-BU & 1@ MB-TBR30-BL)
TMB-TBR50	TBR50, 2.5 to 15 Gallon
TMB-TBR50-SD	3 Piece Severe Duty (2@ MB-TBR50-BU & 1@ MB-TBR50-BL)

Specifications subject to change without notice



Single Bolt - For use on one quart & one gallon units



Double Bolt - For use on larger 2.5, 5, 10, & 15 gallon units

Upper Mounting Brackets

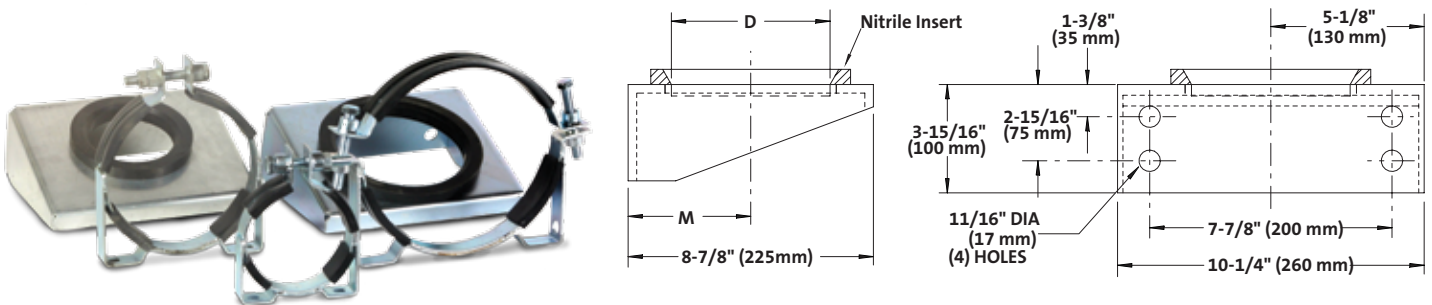
Part Number	Accumulator Series	Style	Dimensions															
			D		W		H		A		B		C-SLOT		E-DIA.		Strap/Bracket WIDTH	
			In.	mm.	In.	mm.	In.	mm.	In.	mm.	In.	mm.	In.	mm.	In.	mm.	In.	mm.
MB-TBR30-BU.2	TBR30, 1 Quart	Single Bolt	4.6	117	5.2	133	6.5	165	2.9	73	3.9	100	0.375 X 0.5	9 X 13	NA	NA	1.25	32
MB-TBR30-BU1	TBR30, 1 Gallon	Single Bolt	6.9	175	7.5	190	9	229	4.0	100	6.25	152	0.375 X 0.5	9 X 13	NA	NA	1.25	32
MB-TBR30-BU	TBR30, 2.5 to 15 Gallon	Double Bolt	9.1	231	13	330	10.2	259	4.9	124	8.5	216	NA	NA	0.59	15	1.58	40
MB-TBR50-BU	TBR50, 2.5 to 15 Gallon	Double Bolt	9.9	251	13	330	10.6	269	4.9	124	8.5	216	NA	NA	0.59	15	1.58	40

Specifications subject to change without notice

Lower Mounting Brackets

Part Number	Accumulator Series	Description	Dimensions				Nitrile Grommet Part Number
			D		M		
			In.	mm.	In.	mm.	
MB-TBR30-BL1	TBR30, 1 Gallon	Single Bolt	4.25	108	3.953	100	MB-TBR30-GR1
MB-TBR30-BL	TBR30, 2.5 to 15 Gallon	Double Bolt	6.3125	160	4.875	124	MB-TBR30-GR
MB-TBR50-BL	TBR50, 2.5 to 15 Gallon	Double Bolt	6.3125	160	4.875	124	MB-TBR30-GR

Specifications subject to change without notice



TOBUL ACCUMULATOR INCORPORATED

www.fst.com