

TBRT50 Bladder Accumulators

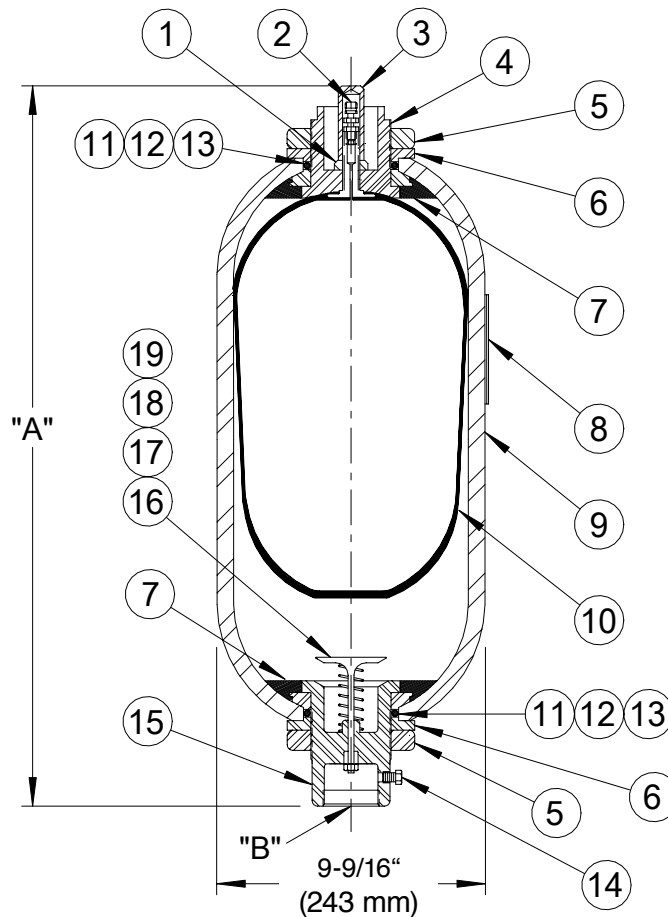
5,000 PSI (345 Bar)



Top Repairable

MODEL NUMBER	GAS CAPACITY		FLUID CAPACITY		DRY WEIGHT		DIMENSION		SAE-24 STANDARD 2" NPT OPTIONAL TO SPECIFY 2" NPT, REPLACE "F" WITH "A"
	In. ³	Cm. ³	Gallon	Liters	Lbs.	Kg.	A	B	
TBRT50-2.5NMFA	577	9454	2.5	10	125	57	21.5	546	
TBRT50-5NMFA	1151	18858	5	19	225	102	33.75	857	
TBRT50-10NMFA	2142	35095	10	38	340	154	54.5	1384	
TBRT50-15NMFA	3260	53413	15	57	485	222	78	1981	

BLADDER & SEAL MATERIAL - N=BUNA-N B=BUTYL E=EPR V=FKM (VITON®)



GENERAL DESIGN DATA

MAXIMUM WORKING PRESSURE	5,000 PSI	(345 Bar)
MAXIMUM PROOF PRESSURE.....	7,500 PSI	(517 Bar)
MINIMUM BURST PRESSURE.....	20,000 PSI	(1,379 Bar)
OPERATING TEMPERATURE (Buna/Nitrile).....	-20° TO +200° F	(-28° to 93° C)

BLADDER FOR PETROLEUM BASE OIL. SHELL ASME "U" STAMPED. APPENDIX 22 MAWP 6,600 PSI (455 Bar)

INTERCHANGEABLE WITH MOST OTHER BRANDS.

FOR PARTS LIST SEE REVERSE SIDE

TBRT50 0214

TBRT50 TOP REPAIRABLE SERIES PARTS BREAKDOWN (CATALOG STD TBRT50-*NMFA) BUNA-N, SAE-24

*DENOTES INSERTION POINT FOR UNIT VOLUME DESIGNATION, i.e., 2.5 = 2.5 GALLON VOLUME

ITEM NO.	PART NO.	DESCRIPTION	NO. REQ'D
1	TB50-220	LOCK NUT, ADAPTOR, ZINC PLATED	1
2	3A-285H	SS VALVE, GAS, 5K	1
3	TB50-210-PC	GUARD, GAS VALVE, 5K, PHOSPHATE COATED	1
4	TB50-3403	GAS PORT BODY, 5K	1
5	TB-850-PC	RING, LOCK, PHOSPHATE COATED	2
6	TB50-975-PC	SPACER, PHOSPHATE COATED	2
7	TB-925-N	RING, ANTI-EXTRUSION, BUNA-N	2
8	NP-200	NAMEPLATE	1
9	NOT AVAILABLE SEPARATELY	SHELL , TOP REPAIRABLE	1
10	BB50-*N	BLADDER, BUNA-N	1
11	TB-125M	RING, BACKUP, STAINLESS STEEL	2
12	S03N50	SEAL, O-RING, BUNA-N	2
13	SB3T50	SEAL, BACKUP, TEFLON	2
14	PG-CH-8	PLUG, BLEEDER, SAE-6	1
15	TB-950-PC	OIL PORT BODY, SAE-24, PHOSPHATE COATED	1
OPT	TB-875-P	PLUG, BLEEDER, 1/4" NPT	OPT
	TB-950-P-PC	OIL PORT BODY, 2" NPT, PHOSPHATE COATED	
16	TB-705	SS LOCK NUT, POPPET VALVE	1
17	TB-205	SS POPPET, POPPET VALVE	1
18	TB-150	SS SPRING, POPPET VALVE	1
19	TB-750	SS PISTON, OIL PORT VALVE	1

SPECIFY BLADDER & SEAL MATERIAL BY SELECTING APPROPRIATE MATERIAL CODE –
“N”=BUNA-N; “B”=BUTYL; “E”=EPR; “V”= FKM (VITON®)

COMPLETE REPAIR KITS – FOR BOTH BOTTOM & TOP REPAIRABLE MODELS – 2.5, 5, 10 & 15 GAL.

NEW PART NUMBER	TYPE	OLD PART NUMBER
BK50-*N	BUNA-N	RB50-*NT
BK50-*V	FKM(VITON®)	RB50-*ET
BK50-*B	BUTYL	RB50-*BT
BK50-*E	EPR	RB50-*HT

*DENOTES INSERTION POINT FOR UNIT VOLUME DESIGNATION, i.e., 2.5 = 2.5 GALLON VOLUME
REPAIR KIT INCLUDES (1) BLADDER, (1) GAS VALVE & O-RING, (2) OIL PORT BODY O-RING & (2) O-RING BACKUP