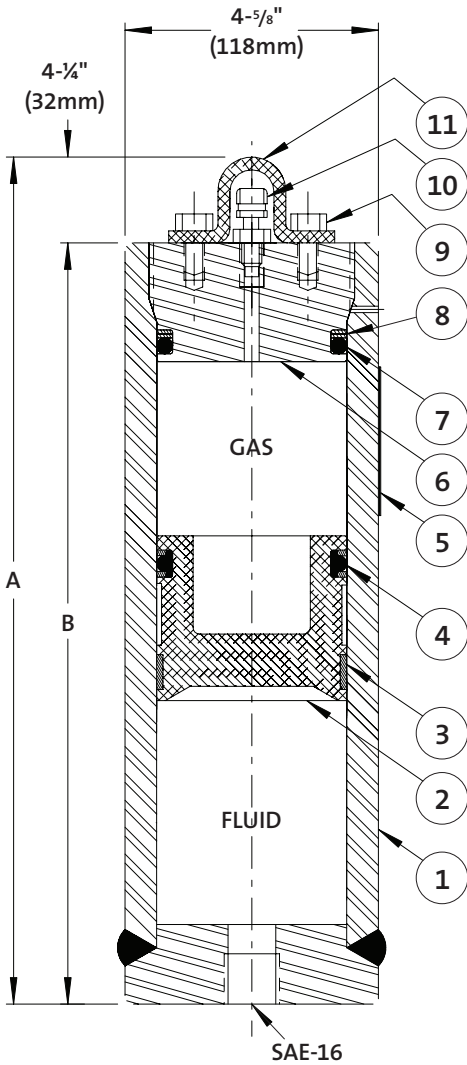


# 045AT20 PISTON ACCUMULATORS

Model Number	Gas Capacity		Fluid Capacity		Dry Weight		Dimension A		Dimension B	
	In. <sup>3</sup>	Cm. <sup>3</sup>	Gallon	Liters	Lbs.	Kg.	Inch	mm	Inch	mm
045AT20-4NA1D	128	2,094	.5	2	27	12	15-5/8	397	14-3/8	365
045AT20-8NA1D	243	3,981	1	4	36	16	24-1/4	616	23	584
045AT20-16NA1D	475	7,780	2	8	53	24	41-5/8	1,057	40-3/8	1,026
045AT20-24NA1D	705	11,552	3	12	69	31	58-7/8	1,495	57-5/8	1,464



Maximum working pressure 2,000 psi (138 bar)  
 Maximum proof pressure 3,000 psi (207 bar)  
 Minimum burst pressure 8,000 psi (552 bar)

Operating temperature (BUNA/Nitrile)  
 -20° to +200°F (-28° to 93°C)

TOBUL ACCUMULATOR INCORPORATED  
[www.fst.com](http://www.fst.com)

**FREUDENBERG**  
 SEALING TECHNOLOGIES

Item Number	Part Number	Description	Number Required
X	HFV33MA8-D	Head, Fluid, SAE-16, Welded to Cylinder	1
1	C37TA33-109.5AT	Cylinder, 045A20-4, .5 Gallon, 2 Liter	1
	C37TA33-178.5AT	Cylinder, 045A20-8, 1 Gallon, 4 Liter	
	C37TA33-317.5AT	Cylinder, 045A20-16, 2 Gallon, 8 Liter	
	C37TA33-455.5AT	Cylinder, 045A20-24, 3 Gallon, 12 Liter	
2	P33MH21T	Piston, Aluminum	1
3	SW.6T-8	Wearband, Piston, TEFLON	1
4	ST3N60Y	Seal, Piston, "T" Seal Assembly, BUNA/NYLON	1
5	NP-300	Nameplate	1
6	HG33MA16-1	HEAD, GAS, 1/2-20	1
7	SO3N60	Seal, O-Ring, Head, BUNA-N	1
8	SB3T60	Seal, Backup, TEFLON	1
9	B-.37CB16S6-B	Bolt, Carbon Steel, 3/8-16 x 3/4	2
10	3A-283	SS Valve, Gas, 3K, 1/2-20 UNF-3A	1
11	3A-754D	Guard, Valve, Aluminum	1

Optional porting/mounting/piston seal configurations available on request

### Complete seal kits

New Part Number	Type	Old Part Number
SK045AT20-NT	BUNA-N	4.5A20-G40T-NST
SK045AT20-VT	FKM (VITON®)	4.5A20-G40T-ETT
SK045AT20-ET	EPR	4.5A20-G40T-HTT