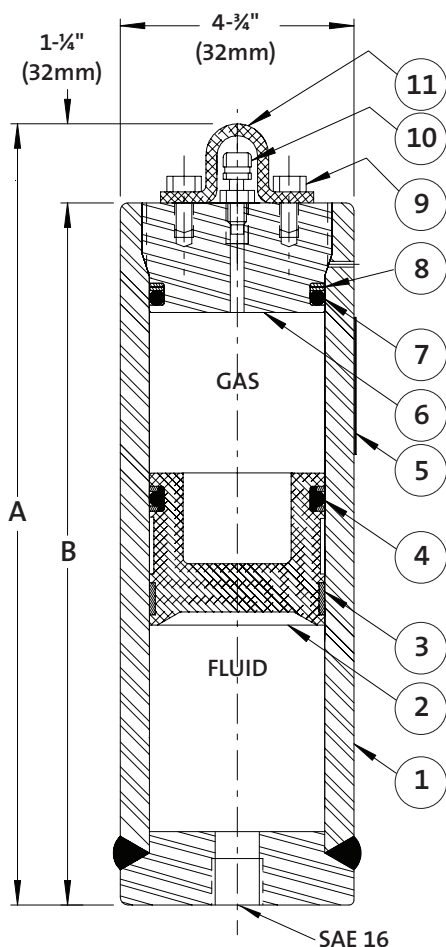


# 047AT30 PISTON ACCUMULATORS

Model Number	Gas Capacity		Fluid Capacity		Dry Weight		Dimension A		Dimension B	
	In. <sup>3</sup>	Cm. <sup>3</sup>	Gallon	Liters	Lbs.	Kg.	Inch	mm	Inch	mm
047AT30-4NA1D	127	2,081	0.5	2	31	14	16.75	426	15.5	394
047AT30-8NA1D	242	3,966	1	4	41	19	25.375	645	24.125	613
047AT30-12NA1D	358	5,867	1.5	6	52	24	34	864	32.75	832
047AT30-16NA1D	473	7,751	2	8	62	28	42.75	1086	41.5	1,054
047AT30-20NA1D	589	9,652	2.5	10	73	33	51.375	1305	50.125	1,273

Fluid Capacities available for 0.25 to 3 gallons on request – Contact your sales representative for assistance.



Maximum working pressure 3,000 psi (207 bar)  
 Maximum proof pressure 4,500 psi (310 bar)  
 Minimum burst pressure 12,000 psi (827 bar)

Operating temperature (BUNA/Nitrile)  
 -20° to +200°F (-28° to 93°C)

TOBUL ACCUMULATOR INCORPORATED

[www.fst.com](http://www.fst.com)

**FREUDENBERG**  
 SEALING TECHNOLOGIES

Item Number	Part Number	Description	Number Required
X	HFV33MA9-D	Head, SAE-16, Welded to Cylinder	1
1	C38TA33-109AT	Cylinder, 047A30-4, .5 Gallon, 2 Liter	1
	C38TA33-178AT	Cylinder, 047A30-8, 1 Gallon, 4 Liter	
	C38TA33-247AT	Cylinder, 047A30-12, 1.5 Gallon, 6 Liter	
	C38TA33-317AT	Cylinder, 047A30-16, 2 Gallon, 8 Liter	
	C38TA33-386AT	Cylinder, 047A30-20, 2.5 Gallon, 10 Liter	
2	P33MH21T	Piston, Aluminum	1
3	SW.6T-8	Wearband, Piston, Teflon	1
4	ST3N60Y	Seal, Piston, "T" Seal Assembly, BUNA/Nylon	1
5	NP-300	Nameplate	1
6	HG33MA16-1	Head, Gas, 1/2-20	1
7	SO3N60	Seal, O-Ring, Head, BUNA-N	1
8	SB3T60	Seal, Backup, Teflon	1
9	B-.37CB16S6-B	Bolt, Carbon Steel, 3/8-16 x 3/4	1
10	3A-283	SS Valve, Gas, 3K, 1/2-20 UNF-3A	1
11	3A-754D	Guard, Valve, Aluminum	1

### Complete seal kits

New Part Number	Type	Old Part Number
SK047AT30-NT	BUNA-N	4.7A30-G40T-NST
SK047AT30-VT	FKM (Viton®)	4.7A30-G40T-ETT
SK047AT30-ET	BUTYL	4.7A30-G40T-HTT

Specify seal material by selecting appropriate material code: "N" = BUNA-N, "B" = BUTYL, "E" = EPR, "V" = FKM (Viton®)

Optional porting/mounting/piston seal configurations available on request