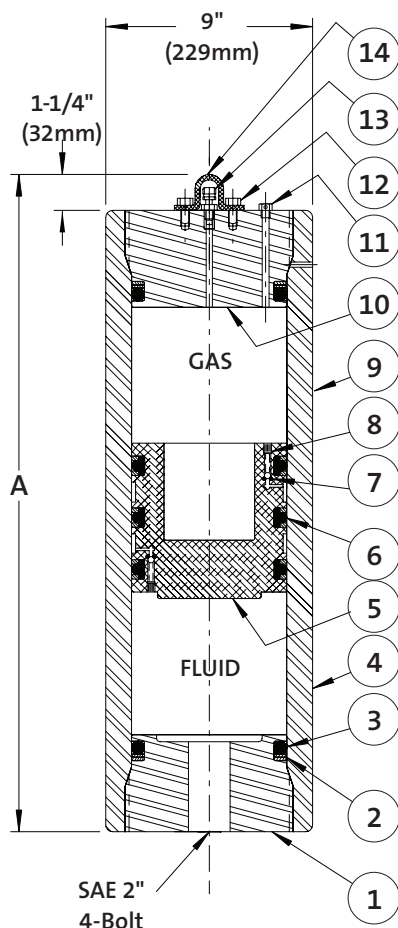


090A30 PISTON ACCUMULATORS

Model Number	Gas Capacity		Fluid Capacity		Dry Weight		Dimension A	
	In. ³	Cm. ³	Gallon	Liters	Lbs.	Kg.	Inch	mm
090A30-40NV1K	1,191	19,515	5	19	256	116	35.875	912
090A30-80NV1K	2,347	19,714	10	38	385	175	61.23	1,556
090A30-120NV1K	3,495	37,018	15	57	513	232	86.375	2,194
090A30-160NV1K	4,648	41,541	20	76	641	291	111.625	2,835

Fluid Capacities available for 2.5 to 50 gallons on request – Contact your sales representative for assistance.



Item Number	Part Number	Description	Number Required
1	HF61MB23-K	Head, Fluid, 2" SAE 4 BLT CODE 61	1
2	SB4T112	Seal, Backup, Teflon	2
3	SO4N112	Seal, O-ring, Head, BUNA-N	2
4	C72TA61-277	Cylinder, 090A30-40, 5 Gallon, 19 Liter	1
	C72TA61-480	Cylinder, 090A30-80, 10 Gallon, 38 Liter	
	C72TA61-681	Cylinder, 090A30-120, 15 Gallon, 57 Liter	
	C72TA61-883	Cylinder, 090A30-160, 20 Gallon, 76 Liter	
5	P61MH33T	Piston, Aluminum	1
6	SB4T113	Seal, Backup, Teflon	6
	ST4N114	Seal, Piston, "T" Seal, BUNA-N	3
7	3A-175	Ball, Check Valve	2
	SO1V.114	Seal, O-Ring, Check Valve, Viton®	2
8	3A-24	Screw, Retaining, Check Valve	2
	4A-135	Spring, Check Valve	2
9	NP-300	Nameplate	1
10	HG61MB23-1	Head, Gas, ½-20	1
OPT	DR-ASSY-32	Rupture Disk Assm (Optional) 3200 PSI	1
12	B-.37CB16S6-B	Bolt, Carbon Steel, 3/8-16 x ¾	2
13	3A-283	SS Valve, Gas, 3K, ½-20 UNF-3A	1
14	3A-754D	Guard, Valve, Aluminum	1

Maximum working pressure 3,000 psi (207 bar)
 Maximum proof pressure 4,500 psi (310 bar)
 Minimum burst pressure 12,000 psi (827 bar)

Operating temperature (BUNA/Nitrile)
 -20° to +200°F (-28° to 93°C)

TOBUL ACCUMULATOR INCORPORATED
www.fst.com

FREUDENBERG
 SEALING TECHNOLOGIES

Complete seal kits

New Part Number	Type	Old Part Number
SK090A30-NT	BUNA-N	9A30-G40T-NST
SK090A30-VT	FKM (Viton®)	9A30-G40T-ETT
SK090A30-ET	BUTYL	9A30-G40T-HTT

Specify seal material by selecting appropriate material code: "N" = BUNA-N, "B" = BUTYL, "E" = EPR, "V" = FKM (Viton®)

Optional porting/mounting/piston seal configurations available on request