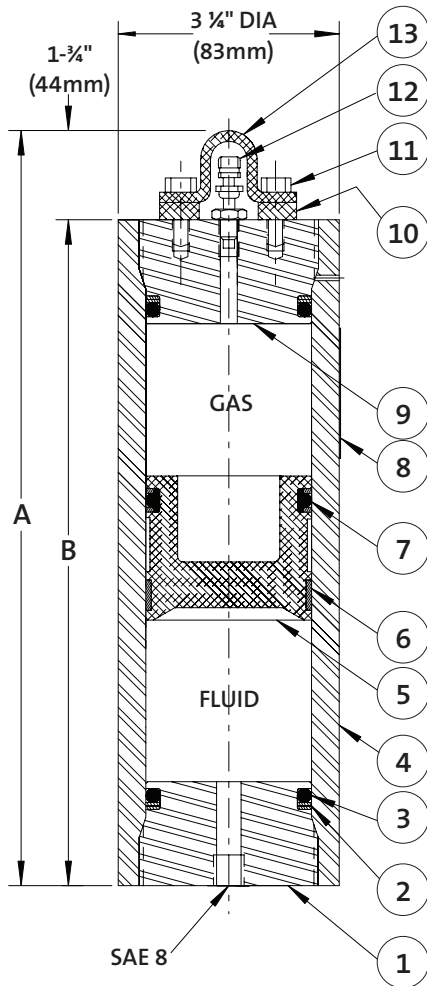


032A50 PISTON ACCUMULATORS

Model Number	Gas Capacity		Fluid Capacity		Dry Weight		Dimension A		Dimension B	
	In. ³	Cm. ³	Gallon	Liters	Lbs.	Kg.	Inch	mm	Inch	mm
032A50-.5NA19	14	226	0.0625	0.22	12	5	10.8	274	9.05625	230
032A50-1NA19	30	498	0.125	0.49	15	7	14.2	360	12.4375	316
032A50-2NA19	61	1000	0.25	1.00	21	10	20.44	519	18.6875	475
032A50-4NA19	116	1900	0.5	2.00	32	14	31.63	803	29.875	759



Maximum working pressure 5,000 psi (345 bar)
 Maximum proof pressure 7,500 psi (517 bar)
 Minimum burst pressure 20,000 psi (1380 bar)

Operating temperature (BUNA/Nitrile)
 -20° to +200°F (-28° to 93°C)

TOBUL ACCUMULATOR INCORPORATED
www.fst.com

FREUDENBERG
 SEALING TECHNOLOGIES

Item Number	Part Number	Description	Number Required
1	HF20MA12-9	Head, Fluid, SAE 8	1
2	SB3T34	Seal, Backup, Teflon	2
3	SO3N34	Seal, O-Ring, Head, BUNA	2
4	C26TA20-58.5	Cylinder, 032A50-.5, .5 Pint, .22 Liter	1
	C26TA20-85.5	Cylinder, 032A50-.5, 1 Pint, .5 Liter	
	C26TA20-134.5	Cylinder, 032A50-.5, 1 Quart, 1 Liter	
	C26TA20-225	Cylinder, 032A50-.5, 1 Gallon, 2 Liter	
5	P20MH12.5T	Piston, Aluminum, Singel Ring	1
6	SW2S40-8	Wearband, Piston, GFT	1
7	ST3N34Y	Seal, Piston, "T" Seal Assembly, BUNA/Nylon	1
8	NP-300	Nameplate	1
9	HG20MA12-1	Head, Gas, 1/2-20	1
10	3A-400	Spacer, Gas Guard	2
11	B-.37CB16S10-B	Bolt, Carbon Steel, 3/8-16 x 3/4	1
12	3A-285H	SS Valve, Gas, 5K, 1/2-20 UNF-3A	1
13	3A-754D	Guard, Valve, Aluminum	1

Complete seal kits

New Part Number	Type	Old Part Number
SK032A50-NT	BUNA-N	3.2AT50-G40T-NST
SK032A50-VT	FKM (VITON®)	3.2AT50-G40T-ETT
SK032A50-ET	EPR	3.2AT50-G40T-HTT

Specify seal material by selecting appropriate material code: "N" = BUNA-N, "B" = BUTYL, "E" = EPR, "V" = FKM (Viton®)

Optional porting/mounting/piston seal configurations available on request