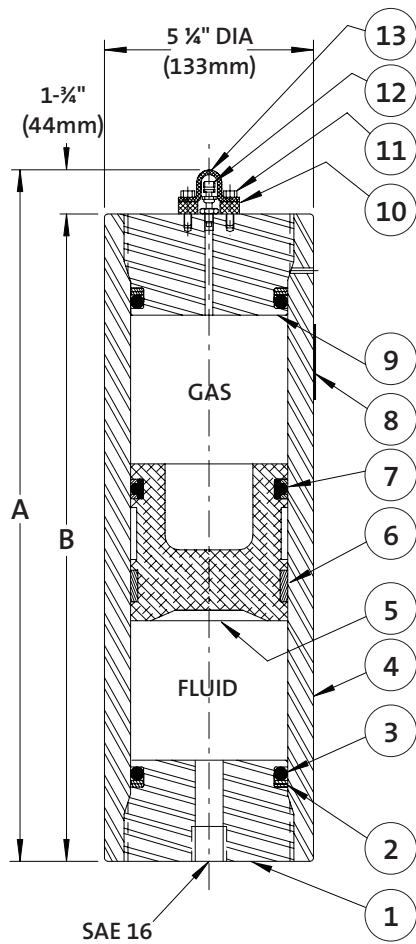


052A50 PISTON ACCUMULATORS

Model Number	Gas Capacity		Fluid Capacity		Dry Weight		Dimension A		Dimension B	
	In. ³	Cm. ³	Gallon	Liters	Lbs.	Kg.	Inch	mm	Inch	mm
052A50-2NA1D	64	1,055	0.25	1	48	22	14.88	377	13.125	333
052A50-6NA1D	186	3,048	0.75	3	70	32	24	609	22.25	565
052A50-8NA1D	236	3,868	1	4	78	36	27.75	704	26	660
052A50-12NA1D	353	5,779	1.5	6	99	45	36.5	927	34.75	883
052A50-20NA1D	583	9,548	2.5	9	139	63	53.75	1365	52	1321
052A50-24NA1D	698	11,432	3	11	160	72	62.38	1584	60.625	1540

Fluid Capacities available for 0.25 to 3 gallons on request – Contact your sales representative for assistance.



Maximum working pressure 5,000 psi (345 bar)
 Maximum proof pressure 7,500 psi (517 bar)
 Minimum burst pressure 20,000 psi (1379 bar)

Operating temperature (BUNA/Nitrile)
 -20° to +200°F (-28° to 93°C)

TOBUL ACCUMULATOR INCORPORATED
www.fst.com

FREUDENBERG
 SEALING TECHNOLOGIES

Item Number	Part Number	Description	Number Required
1	HF33MA19-D	Head, Fluid, SAE-16	1
2	SB3T60	Seal, Backup, Teflon	2
3	SO3N60	Seal, O-Ring, BUNA	2
4	C42TA33-91	Cylinder, 052A50-2, 1 Quart, 1 LITER	1
	C42TA33-125	Cylinder, 052A50-4, .5 Gallon, 2 LITER	
	C42TA33-194	Cylinder, 052A50-8, 1 Gallon, 4 LITER	
	C42TA33-264	Cylinder, 052A50-12, 1.5 Gallon, 6 LITER	
	C42TA33-333	Cylinder, 052A50-16, 2 Gallon, 7 LITER	
	C42TA33-402	Cylinder, 052A50-20, 2.5 Gallon, 9 LITER	
	C42TA33-471	Cylinder, 052A50-24, 3 Gallon, 11 LITER	
5	P33MH21T	Piston, Aluminum, Single Ring	1
6	SW.6T-8	Wearband, Piston, GFT	1
7	ST3N60Y	Seal, Piston, "T" Seal Assembly, BUNA/NYLON	1
8	NP-300	Nameplate	1
9	HG33MA19-1	Head, Gas, 1/2-20	1
10	3A-400	Spacer, Gas Guard	1
11	B-.37CB16S10-B	Bolt, Carbon Steel, 3/8-16 x 1 1/4	1
12	3A-285H	SS Valve, Gas, 5K, 1/2-20 UNF-3A	1
13	3A-754D	Guard, Valve, Aluminum	1

Complete seal kits

New Part Number	Type	Old Part Number
SK052A50-NT	BUNA-N	5.2AT50-G40T-NST
SK052A50-VT	FKM (VITON®)	5.2AT50-G40T-ETT
SK052A50-ET	EPR	5.2AT50-G40T-HTT

Specify seal material by selecting appropriate material code: "N" = BUNA-N, "B" = BUTYL, "E" = EPR, "V" = FKM (Viton®)

Optional porting/mounting/piston seal configurations available on request