

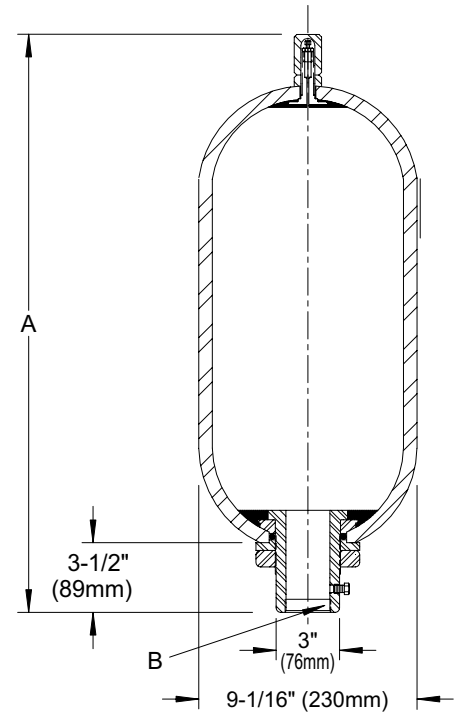
TBRG30

Gas Bottles 3,000 PSI (207 Bar)

| MODEL NUMBER | GAS CAPACITY | | FLUID CAPACITY | | DRY WEIGHT | | DIMENSION | | | |
|----------------|------------------|------------------|----------------|--------|------------|-----|-----------|-------|--|--|
| | In. ³ | Cm. ³ | Gallon | Liters | Lbs. | Kg. | A | | B | |
| | | | | | | | In. | mm. | | |
| TBRG30-2.5NMFA | 577.5 | 9463 | 2.5 | 10 | 80 | 36 | 21 | 533 | Bottom Ports Available SAE-24 (Std.) or 2"NPT To specify 2"NPT, replace "F" with "A5" | |
| TBRG30-5NMFA | 1,155 | 18,927 | 5 | 19 | 126 | 57 | 33.25 | 845 | | |
| TBRG30-10NMFA | 2,310 | 37,854 | 10 | 38 | 205 | 93 | 54 | 1,372 | | |
| TBRG30-11NMFA | 2,541 | 41,639 | 11 | 42 | 226 | 103 | 59.5 | 1,511 | | |
| TBRG30-15NMFA | 3,465 | 56,781 | 15 | 57 | 297 | 135 | 77.5 | 1,969 | | |

GENERAL DESIGN DATA

Maximum Working Pressure 3,000 PSI (207 Bar)
 Maximum Proof Pressure 4,500PSI (310Bar)
 Operating Temperature (Buna/Nitrile) -20° to +200°F (-28° to 93°C)



TBRG50

Gas Bottles 5,000 PSI (345 Bar)

| MODEL NUMBER | GAS CAPACITY | | FLUID CAPACITY | | DRY WEIGHT | | DIMENSION | | | |
|----------------|------------------|------------------|----------------|--------|------------|-----|-----------|-------|--|--|
| | In. ³ | Cm. ³ | Gallon | Liters | Lbs. | Kg. | A | | B | |
| | | | | | | | In. | mm. | | |
| TBRG50-2.5NMFA | 577.5 | 9463 | 2.5 | 10 | 130 | 59 | 21.5 | 546 | Bottom Ports Available SAE-24 (Std.) or 2" NPT To specify 2" NPT, replace "F" with "A5" | |
| TBRG50-5NMFA | 1,155 | 18,927 | 5 | 19 | 225 | 102 | 33.75 | 857 | | |
| TBRG50-10NMFA | 2,310 | 37,854 | 10 | 38 | 340 | 155 | 54.5 | 1,384 | | |
| TBRG50-15NMFA | 3,465 | 56,781 | 15 | 57 | 490 | 223 | 78 | 1,981 | | |

GENERAL DESIGN DATA

Maximum Working Pressure 5,000 PSI (345 Bar)
 Maximum Proof Pressure 7,500PSI (517Bar)
 Operating Temperature (Buna/Nitrile) -20° to +200°F (-28° to 93°C)

