

BP-66 Series

High Pressure Back Pressure Regulators (10,000 psig)

Introduction

The BP-66 Series is the counterpart of the PR-57 pressure reducing series for systems that are higher in pressure and low to moderate flows. This regulator has piston sensing to provide relief at high pressures. The Polyimide/stainless seat assembly provides good shutoff in most applications. For economy purposes the cap assembly and knob are of aluminum construction as in the PR-57 companion unit. Good sensitivity and a selection of control ranges make this regulator an excellent selection in many research and pilot plant facilities.



pressure regulators

Typical Applications

- Pilot plants
- Research labs

Technical Data

CONSTRUCTION	316L stainless steel (standard) Monel® and titanium (optional)
ADJUSTABLE PRESSURE CONTROL RANGES	0–2000, 0–4000, 0–6000, 0–7500 and 0–10,000 psig
OPERATING TEMPERATURE	–40° F to +350° F (–40° C to +177° C)
C_v COEFFICIENT	0.04 (standard) 0.01 and 0.12 (optional)
INLET/OUTLET CONNECTIONS	¼" FNPT (standard) AN 10050-4, SAE J514, MS 33649, or ⅜" FNPT (optional)

Features & Benefits

- Spring-loaded piston sensor
- Gas and liquid service
- Viton® seals (other elastomers optional)

Options:

- Panel mounting
- Monel® and titanium body construction
- Cv of 0.01 or 0.12
- AN 10050-4, SAE J514, MS 33649 or ⅜" FNPT connections

High Pressure Back Pressure Regulators (10,000 psig)

Maximum Temperature and Control Pressures

SEAT MATERIAL	MAXIMUM TEMPERATURE	@	MAXIMUM CONTROL RANGE
Polyimide	350° F (177° C)	@	10,000 psig (68.8 MPa)
PEEK™	350° F (177° C)	@	10,000 psig (68.8 MPa)

To Order, contact your local Distributor Link below:
www.goreg.com/distributor/index.htm

Verify that your chosen part number is valid using the GO Wizards at
www.goreg.com/products/matrix/index.htm

How to Order

For additional configurations, consult the factory. **Standard items in bold.**

BP66 – 1 A 1 1 C E N 1 5 1 A

Body Material

- 1 316L stainless steel**
- 4 Monel®
- 7 Titanium

Port Configuration

- A Standard (body "A")**

See pg. 28 for port locations.

Process Port Types

- 1 ¼" FNPT (¼" FNPT Gauge Ports)**
- 2 ¼" Tube stub, 2" long (¼" FNPT gauge ports)
- 4 ⅜" FNPT (¼" FNPT gauge ports)
- 6 ½" Tube stub, 2" long (¼" FNPT gauge ports)
- 7 AN 10050-4 (¼" FNPT gauge ports)
- 8 SAE J514 (¼" FNPT gauge ports)
- 9 M/S 33649 (¼" FNPT gauge ports)

Cavity Finish

- 1 < 25 Ra**
- 5 < 25 Ra with 10-32 mounting holes

Actuator Material

- C Polyimide**
- Q PEEK™

Options

- A** EB33 (oxygen cleaning)
- B** EB5 cleaning
- D** Helium leak test
- E** Pressure test certificate
- F** Certificate of Conformity
- G** CMTR

Cap Assembly

- 1 Standard, aluminum**
- 4 Panel mount, aluminum
- 5 Captured vent, aluminum
- 6 Captured vent, panel mount, aluminum
- 7 Captured vent, stainless steel
- F** Stainless steel

Piston Material

- 5 Stainless steel with standard Viton® cavity o-ring**
- 6 Stainless steel with optional PTFE cavity o-ring
- B Monel®
- S Titanium

Piston Type

- 1 Standard**

Control Range

- L 0–2000 psig
- N 0–4000 psig
- O 0–6000 psig
- P 0–7500 psig
- Q 0–10,000 psig

Flow Coefficient (C_v)

- 4** 0.12
- E** **0.04**
- J 0.01

NOTE: The choices above represent an abbreviated list of the more commonly ordered options. For a complete listing of all available options, please see the Selection Wizard on the GO website at www.goreg.com or contact the factory.

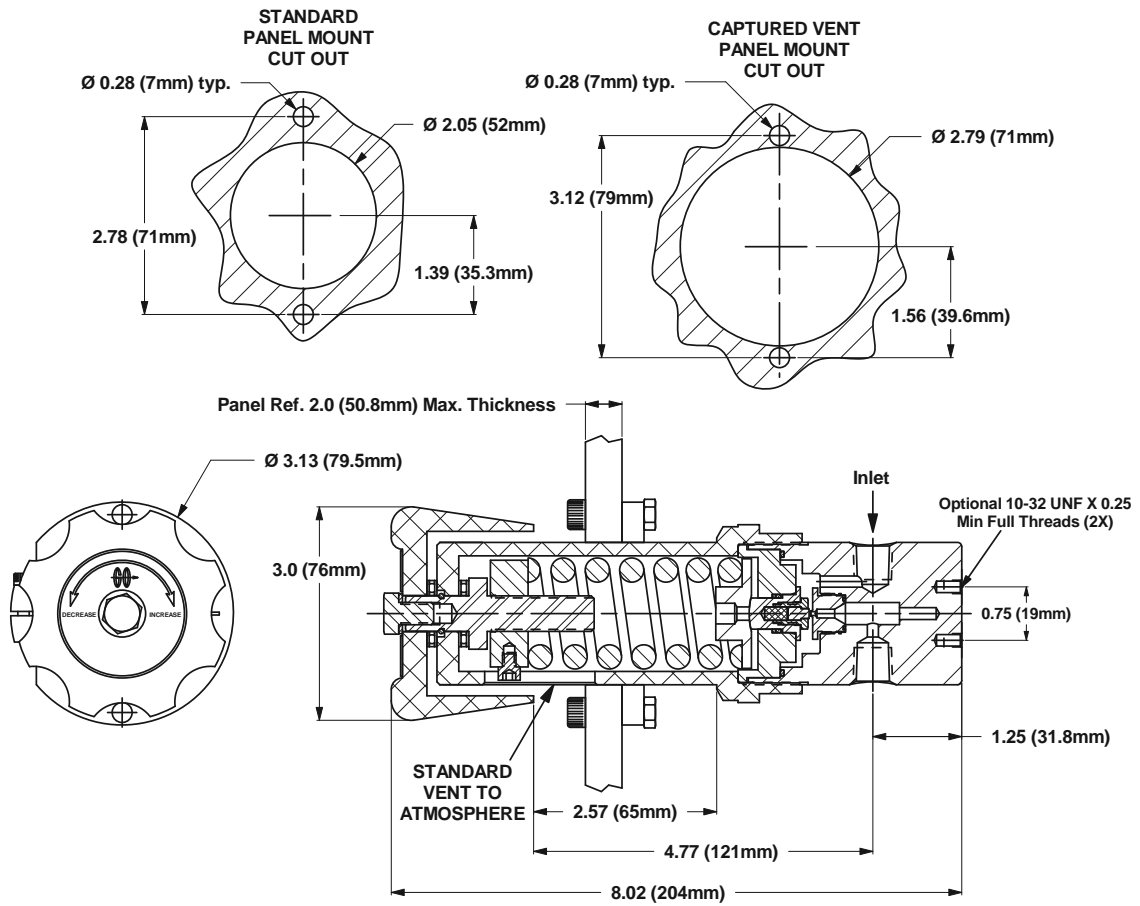
For flow curve charts, visit <http://www.goreg.com>.

High Pressure Back Pressure Regulators (10,000 psig)

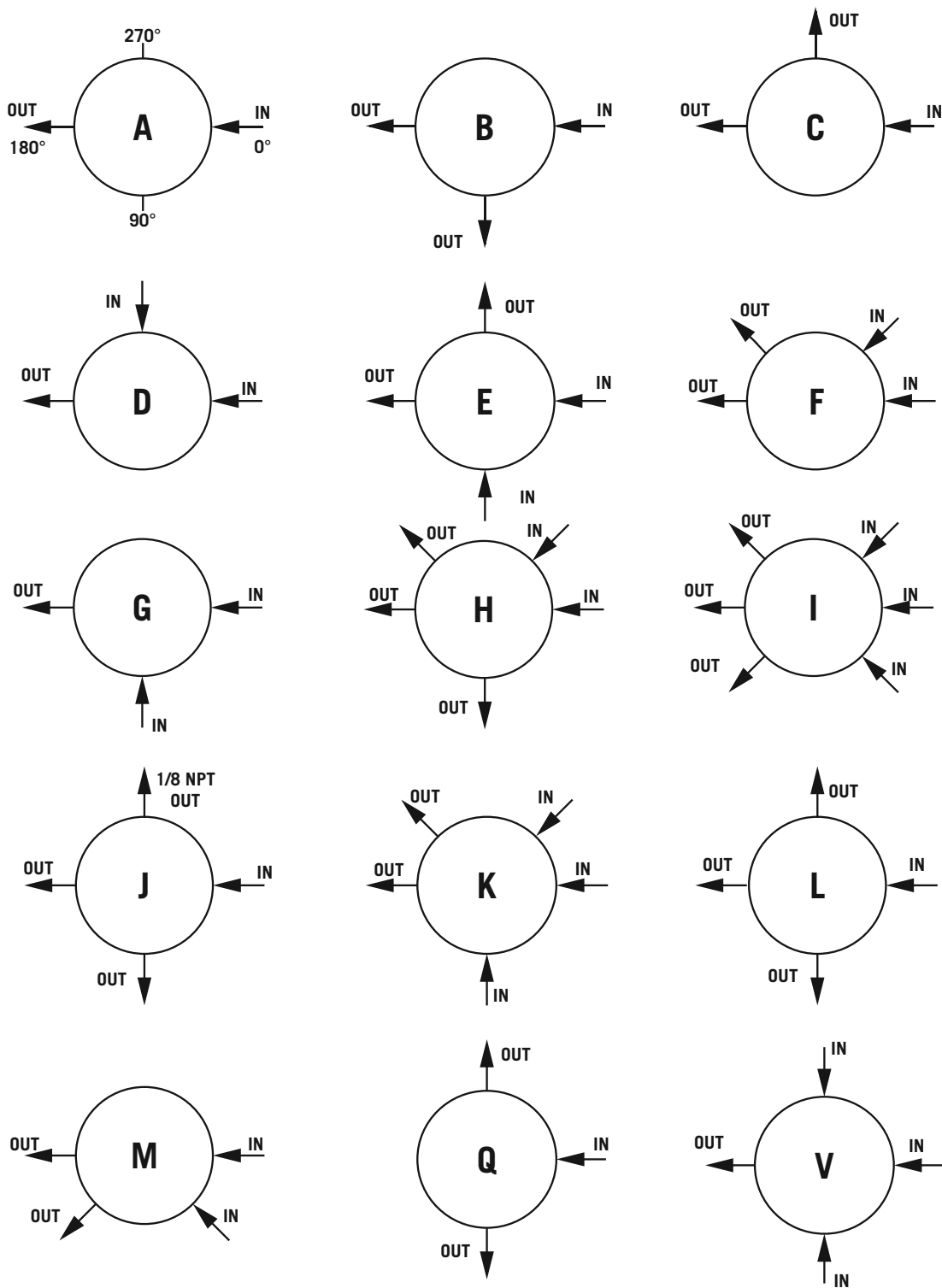
Outline and Mounting Dimensions

Outline and Mounting Dimensions

Weight = 4.4 lbs (2.0 kg)



Port Locations (Back Pressure Regulators)

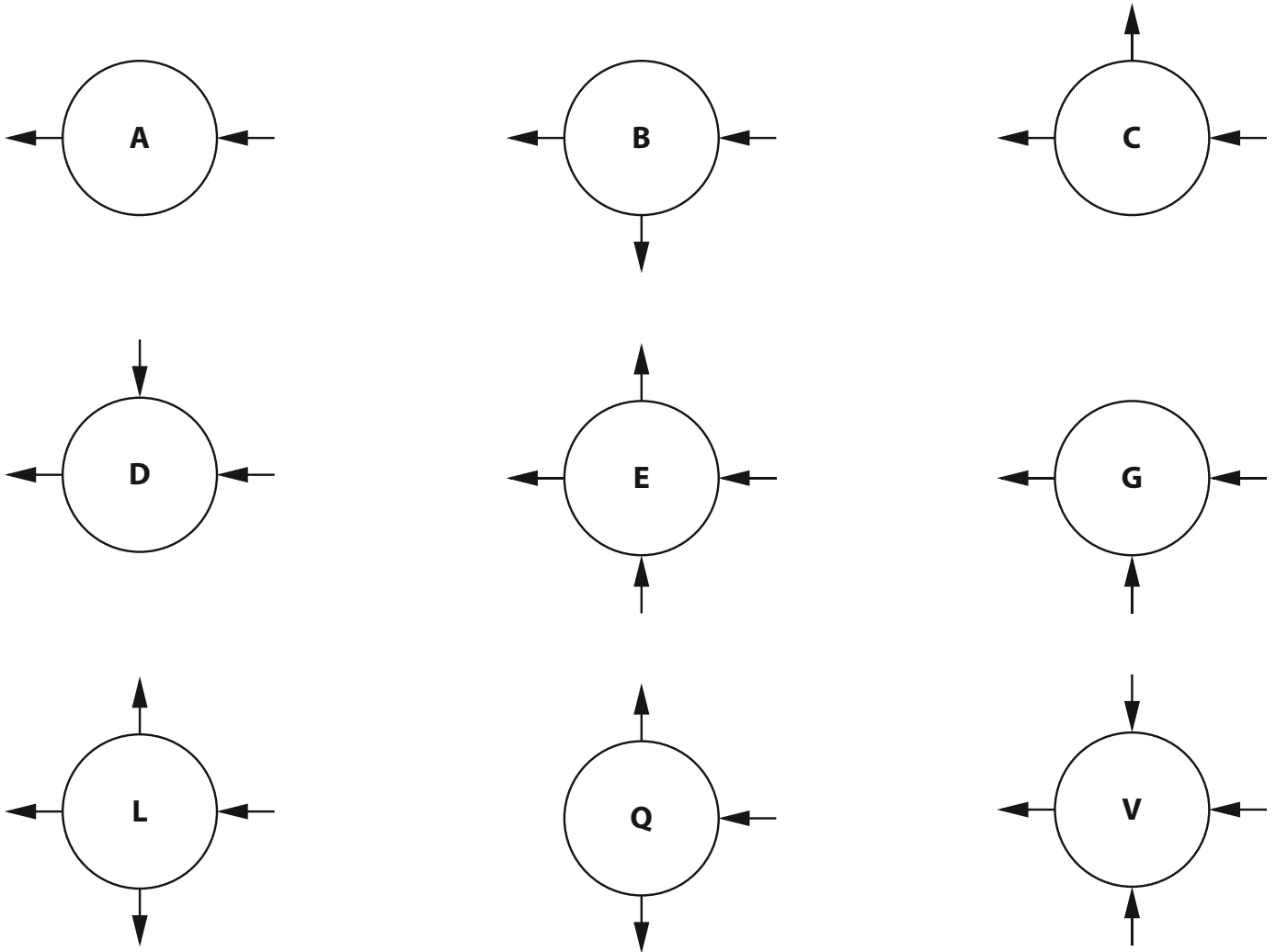


LOCATION OF PORTS FROM TOP VIEW

Porting Options for LB-1 Back Pressure Valve

Arrow pointing toward body is inlet, arrow pointing away from body is outlet.

Location of ports from top view



SURFACE MOUNT STYLES
requires "Surface Mount" port type connections

#1

Center port is outlet, all other ports are inlets.
Location of ports from bottom view

The diagram shows a square valve body with four small circles at the corners representing ports. Two small circles are located in the center of the square, representing a center port. The label #1 is centered below the diagram.