

## CYL-2 Series

Two-stage Brass Cylinder Gas Pressure Reducing Regulator



The CYL-2 Series is a precision two-stage regulator well suited for instrumentation applications requiring a precise and stable pressure source. This pressure regulator was developed to meet the needs of the instrumentation industry, but is also well suited for other applications requiring precision pressure supply.

The development of this series provides the maximum flexibility that is available in any cylinder regulator.

### Features & Specifications

- Brass construction
- 1<sup>st</sup> stage integral 20 micron filter and 2<sup>nd</sup> stage integral 40 micron filter
- PTFE-lined stainless steel diaphragm in both stages
- Tefzel® seats are standard
- 2" diameter brass gauges
- CGA inlet fitting
- Stainless steel caps
- Optional relief valves and shut off valves
- Maximum inlet pressure: 3600 psig
- Outlet pressure ranges 0–10 psig, 0–25 psig, 0–50 psig, 0–100 psig, 0–250 psig and 0–500 psig
- Fluid media; non-corrosive gases
- Cv flow coefficients: 0.06, 0.025, 0.20, 0.50
- Operating temperatures: –40° F to +175° F (–40° C to +80° C)
- ¼" FNPT inlet/outlet connections standard

pressure regulators

# CYL-2 Series

To Order, contact your local Distributor Link below:  
[www.goreg.com/distributor/index.htm](http://www.goreg.com/distributor/index.htm)

Verify that your chosen part number is valid using the GO Wizards at  
[www.goreg.com/products/matrix/index.htm](http://www.goreg.com/products/matrix/index.htm)

## How to Order

Standard items in bold

### BODY MATERIAL

- 2** Brass
- 8** Chrome-plated brass

### PORT CONFIGURATION

- F** Standard
- For more port configurations, see page 19.

### PROCESS PORT TYPES

(GAUGE PORT TYPE, IF SPECIFIED)

- 1** 1/4" FNPT (1/4" FNPT gauge ports)
- 4** 3/8" FNPT (1/4" FNPT gauge ports)

### OUTPUT RANGE

- C** 0-10 psig
- D** 0-25 psig
- E** 0-50 psig
- G** 0-100 psig
- I** 0-250 psig
- J** 0-500 psig

### DIAPHRAGM TYPE, 1<sup>ST</sup> STAGE

- 1** Standard diaphragm
- 8** Tefzel® ring/stainless steel
- 7** Liquid service

### DIAPHRAGM TYPE, 2<sup>ND</sup> STAGE

- 1** Standard diaphragm
- 3** Self-relieving
- 8** Tefzel® ring/stainless steel
- 7** Liquid service

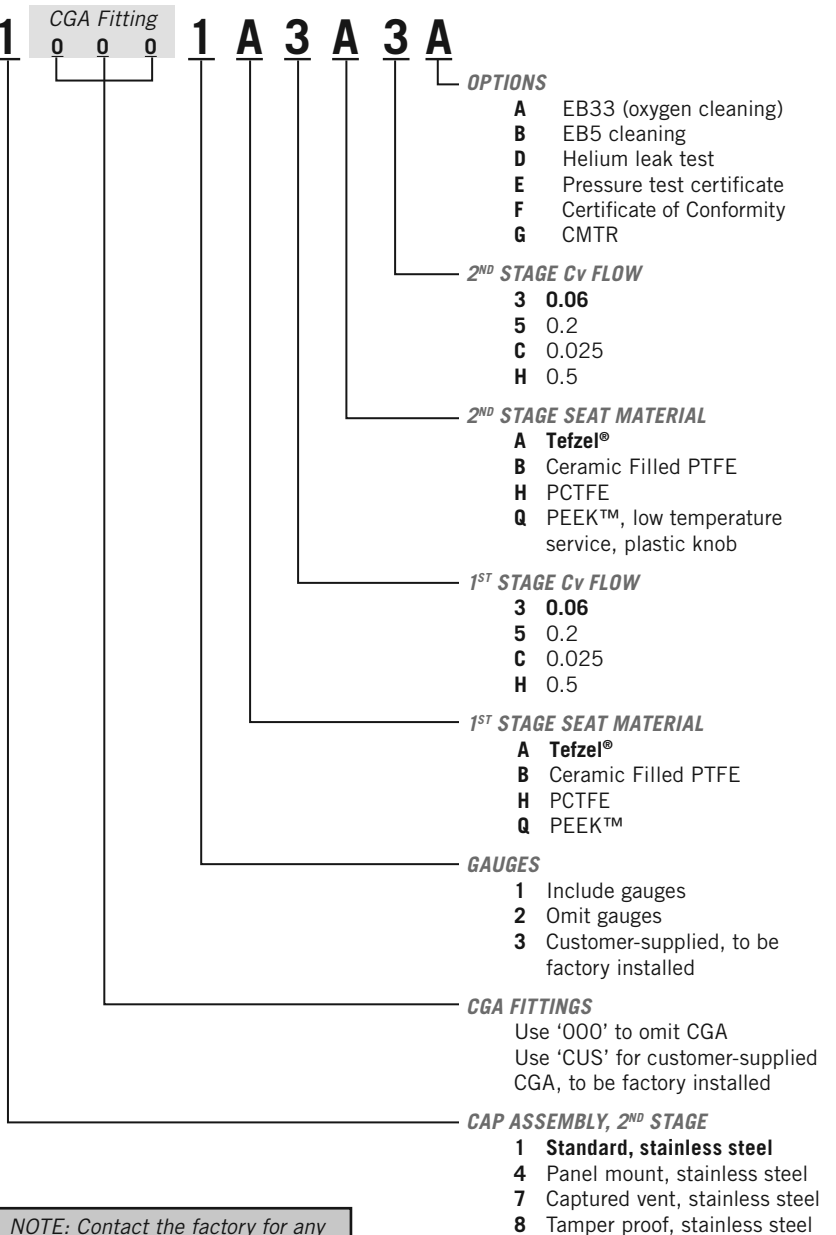
### CAP ASSEMBLY, 1<sup>ST</sup> STAGE

- 1** Tamper proof, standard, stainless steel
- 4** Tamper proof, panel mount, stainless steel
- 7** Tamper proof, captured vent, stainless steel

## Maximum Temperature & Operating Inlet Pressures

SEAT MATERIAL	MAXIMUM TEMPERATURE	MAXIMUM OPERATING INLET PRESSURE
Tefzel®	150° F (66° C)	@ 3600 psig (24.82 MPa)
PCTFE	175° F (80° C)	@ 3600 psig (24.82 MPa)
PEEK™	175° F (80° C)	@ 3600 psig (24.82 MPa)
Ceramic Filled PTFE	175° F (80° C)	@ 3600 psig (24.82 MPa)

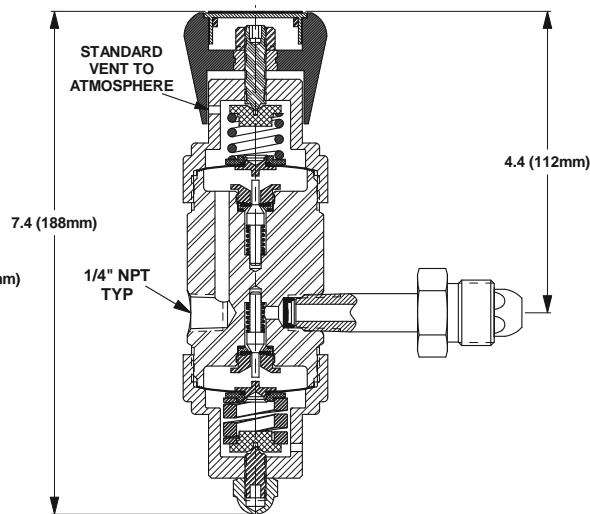
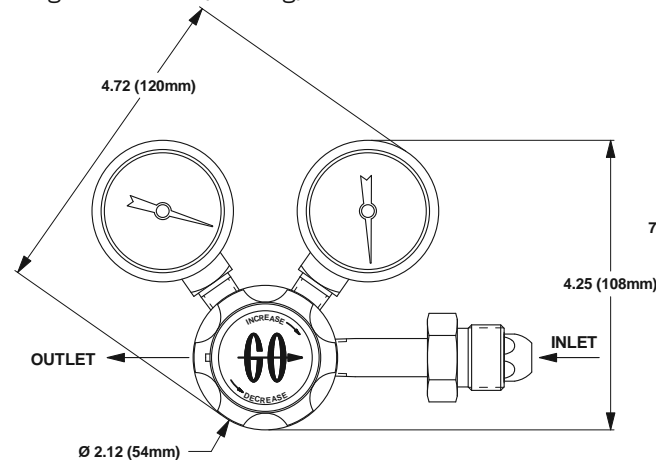
Tefzel® is a registered trademark of the DuPont Company.  
 PEEK™ is a trademark of Victrex PLC.



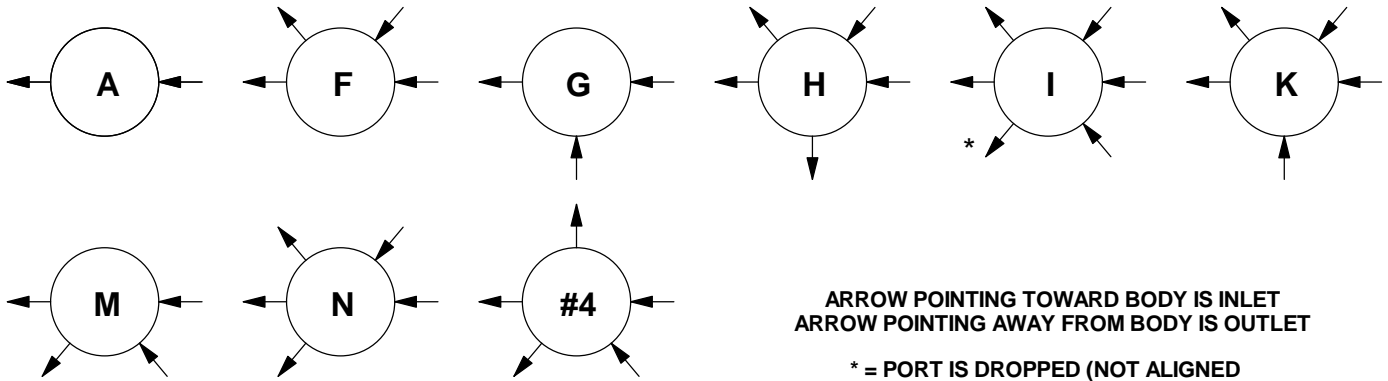
**NOTE:** Contact the factory for any additional requirements.

## Outline & Mounting Dimensions

Weight = 3.5 lbs (1.59 kg)



# Porting Configurations for Dual Stage Pressure Regulators



ARROW POINTING TOWARD BODY IS INLET  
ARROW POINTING AWAY FROM BODY IS OUTLET

\* = PORT IS DROPPED (NOT ALIGNED WITH OTHER PORTS)

