

CYL-2 Series

Two-stage Brass Cylinder Gas Pressure Reducing Regulator



The CYL-2 Series is a precision two-stage regulator well suited for instrumentation applications requiring a precise and stable pressure source. This pressure regulator was developed to meet the needs of the instrumentation industry, but is also well suited for other applications requiring precision pressure supply.

The development of this series provides the maximum flexibility that is available in any cylinder regulator.

Features & Specifications

- Brass construction
- 1st stage integral 20 micron filter and 2nd stage integral 40 micron filter
- PTFE-lined stainless steel diaphragm in both stages
- Tefzel® seats are standard
- 2" diameter brass gauges
- CGA inlet fitting
- Stainless steel caps
- Optional relief valves and shut off valves
- Maximum inlet pressure: 3600 psig
- Outlet pressure ranges 0–10 psig, 0–25 psig, 0–50 psig, 0–100 psig, 0–250 psig and 0–500 psig
- Fluid media; non-corrosive gases
- Cv flow coefficients: 0.06, 0.025, 0.20, 0.50
- Operating temperatures: –40° F to +175° F (–40° C to +80° C)
- ¼" FNPT inlet/outlet connections standard

pressure regulators

CYL-2 Series

To Order, contact your local Distributor Link below:
www.goreg.com/distributor/index.htm

Verify that your chosen part number is valid using the GO Wizards at
www.goreg.com/products/matrix/index.htm

How to Order

Standard items in bold

BODY MATERIAL

- 2** Brass
- 8** Chrome-plated brass

PORT CONFIGURATION

- F** Standard
- For more port configurations, see page 19.

PROCESS PORT TYPES

(GAUGE PORT TYPE, IF SPECIFIED)

- 1** 1/4" FNPT (1/4" FNPT gauge ports)
- 4** 3/8" FNPT (1/4" FNPT gauge ports)

OUTPUT RANGE

- C** 0-10 psig
- D** 0-25 psig
- E** 0-50 psig
- G** 0-100 psig
- I** 0-250 psig
- J** 0-500 psig

DIAPHRAGM TYPE, 1ST STAGE

- 1** Standard diaphragm
- 8** Tefzel® ring/stainless steel
- 7** Liquid service

DIAPHRAGM TYPE, 2ND STAGE

- 1** Standard diaphragm
- 3** Self-relieving
- 8** Tefzel® ring/stainless steel
- 7** Liquid service

CAP ASSEMBLY, 1ST STAGE

- 1** Tamper proof, standard, stainless steel
- 4** Tamper proof, panel mount, stainless steel
- 7** Tamper proof, captured vent, stainless steel

Maximum Temperature & Operating Inlet Pressures

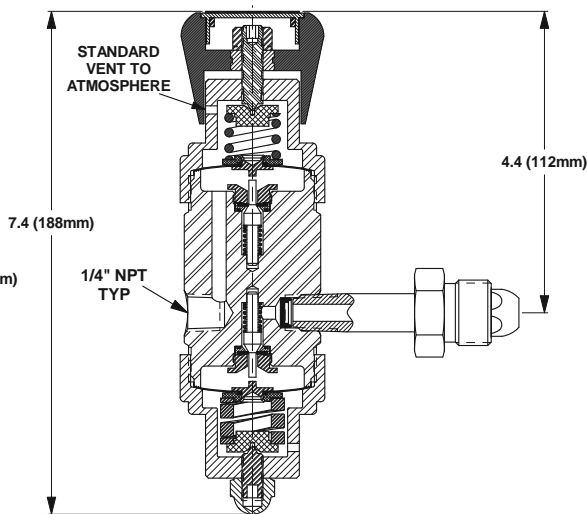
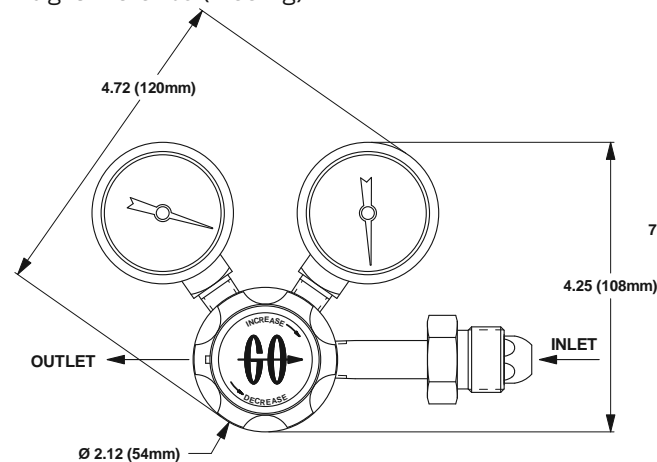
SEAT MATERIAL	MAXIMUM TEMPERATURE	MAXIMUM OPERATING INLET PRESSURE
Tefzel®	150° F (66° C)	@ 3600 psig (24.82 MPa)
PCTFE	175° F (80° C)	@ 3600 psig (24.82 MPa)
PEEK™	175° F (80° C)	@ 3600 psig (24.82 MPa)
CF PTFE	175° F (80° C)	@ 3600 psig (24.82 MPa)

Tefzel® is a registered trademark of the DuPont Company.
 PEEK™ is a trademark of Victrex PLC.

NOTE: Contact the factory for any additional requirements.

Outline & Mounting Dimensions

Weight = 3.5 lbs (1.59 kg)



C2 - 2 F 1 C 1 1 1 1 CGA Fitting **0 0 0 1 A 3 A 3 A**

OPTIONS

- A** EB33 (oxygen cleaning)
- B** EB5 cleaning
- D** Helium leak test
- E** Pressure test certificate
- F** Certificate of Conformity
- G** CMTR

2ND STAGE Cv FLOW

- 3** **0.06**
- 5** 0.2
- C** 0.025
- H** 0.5

2ND STAGE SEAT MATERIAL

- A** Tefzel®
- B** CF PTFE
- H** PCTFE
- Q** PEEK™, low temperature service, plastic knob

1ST STAGE Cv FLOW

- 3** **0.06**
- 5** 0.2
- C** 0.025
- H** 0.5

1ST STAGE SEAT MATERIAL

- A** Tefzel®
- B** CF PTFE
- H** PCTFE
- Q** PEEK™

GAUGES

- 1** Include gauges
- 2** Omit gauges
- 3** Customer-supplied, to be factory installed

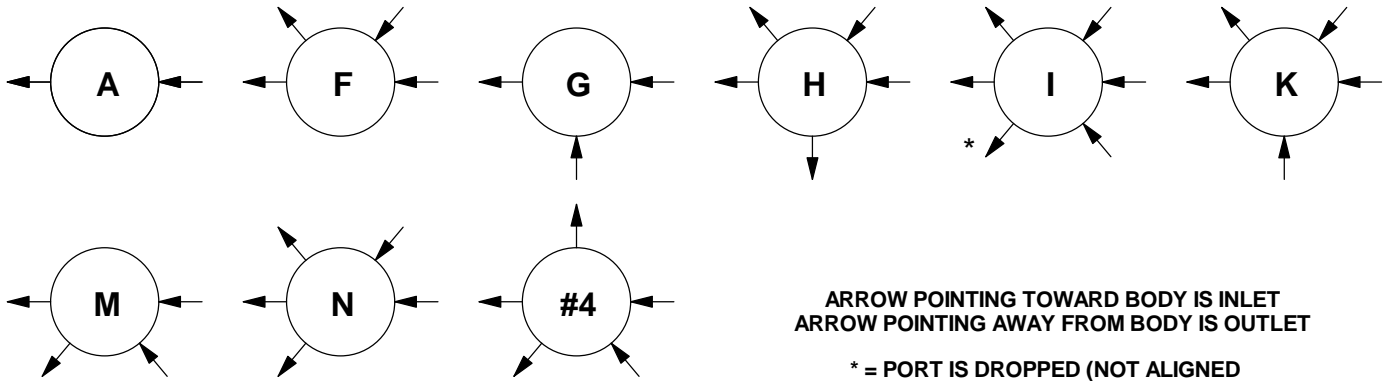
CGA FITTINGS

Use '000' to omit CGA
 Use 'CUS' for customer-supplied CGA, to be factory installed

CAP ASSEMBLY, 2ND STAGE

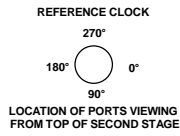
- 1** Standard, stainless steel
- 4** Panel mount, stainless steel
- 7** Captured vent, stainless steel
- 8** Tamper proof, stainless steel

Porting Configurations for Dual Stage Pressure Regulators



ARROW POINTING TOWARD BODY IS INLET
ARROW POINTING AWAY FROM BODY IS OUTLET

* = PORT IS DROPPED (NOT ALIGNED WITH OTHER PORTS)



Porting Configurations for Single Stage Pressure Regulators

